

ECOCOCON® STRAW WALL SYSTEM

Assembly Guide



Table of Contents

Verifying Deliveries and Pre-assembly Checklist	3
Safety Notice and Handling Protocols	4
Panel Labels and Types	5
Site Assembly Plan	6
Mounting Tools	7
Materials	8
Wall System Assembly	9
Unloading	10
Temporary Storage on Building Site	12
Temporary Storage in a Storage Building	13
Preparing the Base Plate	14
Connections to Existing Structures	15
Lifting the Panels	16
Panel Assembly	17
Scheme of Screws for Connecting the Panels	21
Lintel Assembly	22
Narrow Lintel Assembly	23

Box Element Installation	24
Airtight Membrane Installation	25
Temporary Weather Protection	27
Top Plate	28
Straw Wall Penetrations	29
Window and Door Installation	31
Wood Fibre Board	33
Connecting Partitions to Wall	34

Interior Installations **35**

Rules and Recommendations	36
Electrical Installations	37
Service Void for Plumbing	39
Interior Clay Plaster System	40
Wall Mounts	42

About us **43**



Verifying Deliveries and Pre-assembly Checklist

Upon delivery

- » Inspect the goods visually for possible damage that might have occurred during transport and report it immediately in the CMR (consignment note) document.
- » If you find any fault or damage, photo-document it and consult the warranty for the procedure to report it.
- » Check the straw humidity level of panels with a calibrated moisture meter, it must not exceed 20%.
- » Check the delivery documents carefully.

Delivery documents

With delivery you should receive the following documents :

- » **Delivery slip** - check if all goods have been delivered, paying particular attention to small items such as screws and dowels.
- » **Acceptance certificate** - check if all manufactured items were delivered and measure the humidity level in the straw.
- » **Packing list** - shows how the panels are packaged together.
- » **CMR document** - please sign this document once all items have been accounted for and return to the driver.

- » **Declaration of Performance (DoP)**.
- » **Warranty** - consult the Warranty for handling instructions and warranty procedure.
- » **Panel Project** - use this document for assembly on site.
- » **Assembly Guide** - follow this document as an instructional guide.

Pre-assembly checklist

Check the building plans so that:

- » The exterior of the wall construction and details are vapour-permeable.
- » The airtight connections of the wall system to adjacent elements are clearly indicated.
- » The Straw Wall System begins above the floor level or the wall base is sealed with waterproof membrane.
- » There is a waterproofing membrane between foundations and the base plate.



Safety Notice and Handling Protocols

Protect against water and moisture!

- » EcoCocon panels have to be fully protected from any rain/water during unloading, storage and mounting.
- » To avoid water damage, do not unload the panels in severe rain. Postpone delivery or ask the driver to wait. If the driver persists in unloading in heavy rain, please call the local EcoCocon Technical Sales Consultant.
- » Consult this guide for detailed storage instructions.
- » After completing the wall assembly, do not leave the temporary plastic sheeting on the inner surface for more than two weeks.

Protect against fire!

- » The panels must not be mounted if there is an open fire source within 25 metres.
- » It is strictly prohibited to smoke within 10 metres of the building site until construction work is completed.

Ensure airtightness!

- » Follow the details properly to secure airtightness.
- » Any top layers or airtight membranes have to provide a diffusion-open wall system.

Use Assembly Guide

- » For best results and to ensure your warranty, use this Assembly Guide as an instruction tool.

Follow the regulations

- » Always comply with health and safety rules when working with the EcoCocon wall system.
- » Check that our general recommendations comply with local regulations and structural requirements specific to your project.



Panel Labels and Types

All panels are marked with a label containing:

- » Project name and panel dimensions
- » Panel number (panel type and production number)
- » Wall section indicating precise location of the panel
- » The Lorry-Pack indicating the sequence number of the lorry for delivery. To specify the panel's position, the pack number is provided along with the horizontal and vertical row within the pack.
- » QR code linked to this Assembly Guide

Panel types:

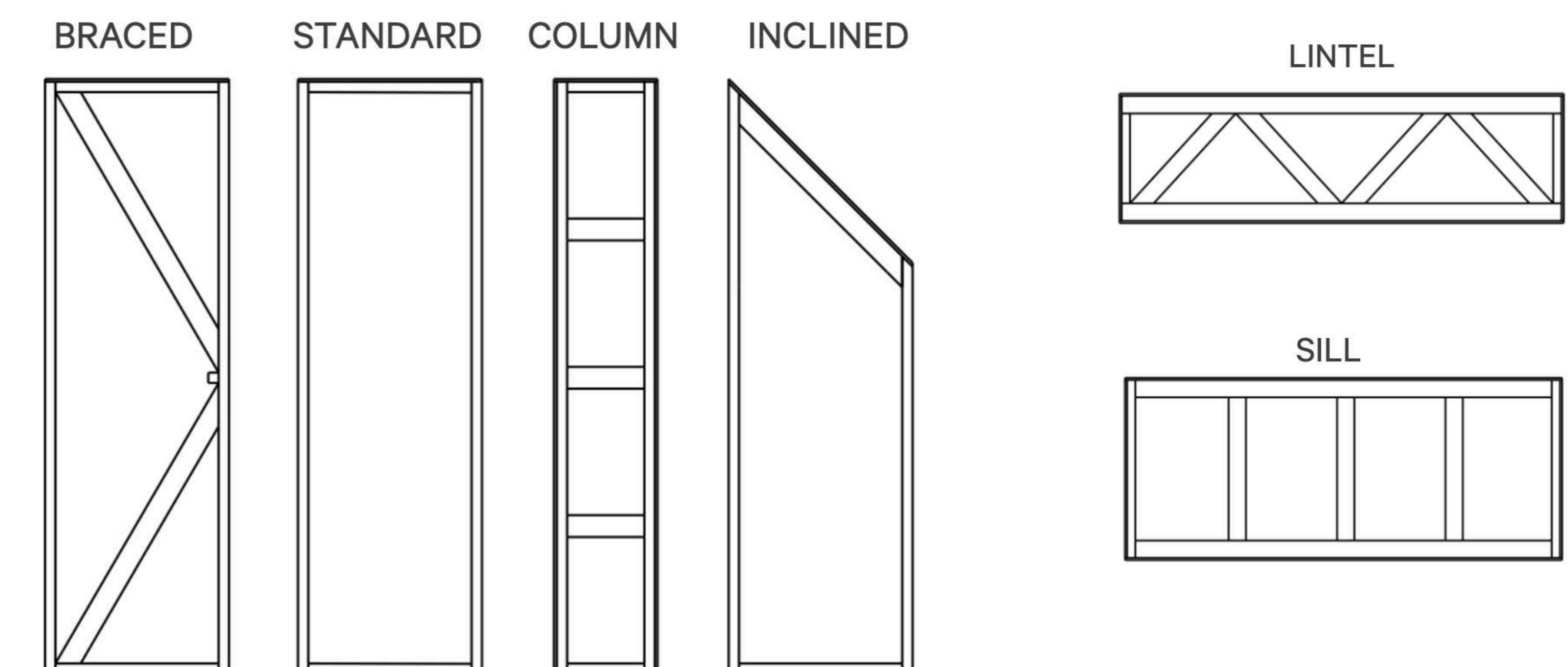
- P – Standard panel
- B – Braced panel
- I – Inclined panel
- C – Column
- L – Lintel
- S – Sill

Other elements:

- X – Box element
- G – Additional timber
- Y – Additional plywood

Panel type and production number Location of the panel within the wall The lorry and the pack number specify horizontal and vertical row

Project name and panel dimensions Link to this Assembly Guide



Site Assembly Plan

The Panel Project serves as a site assembly plan with measurements provided in the elevations.

The Panel Project consists of:

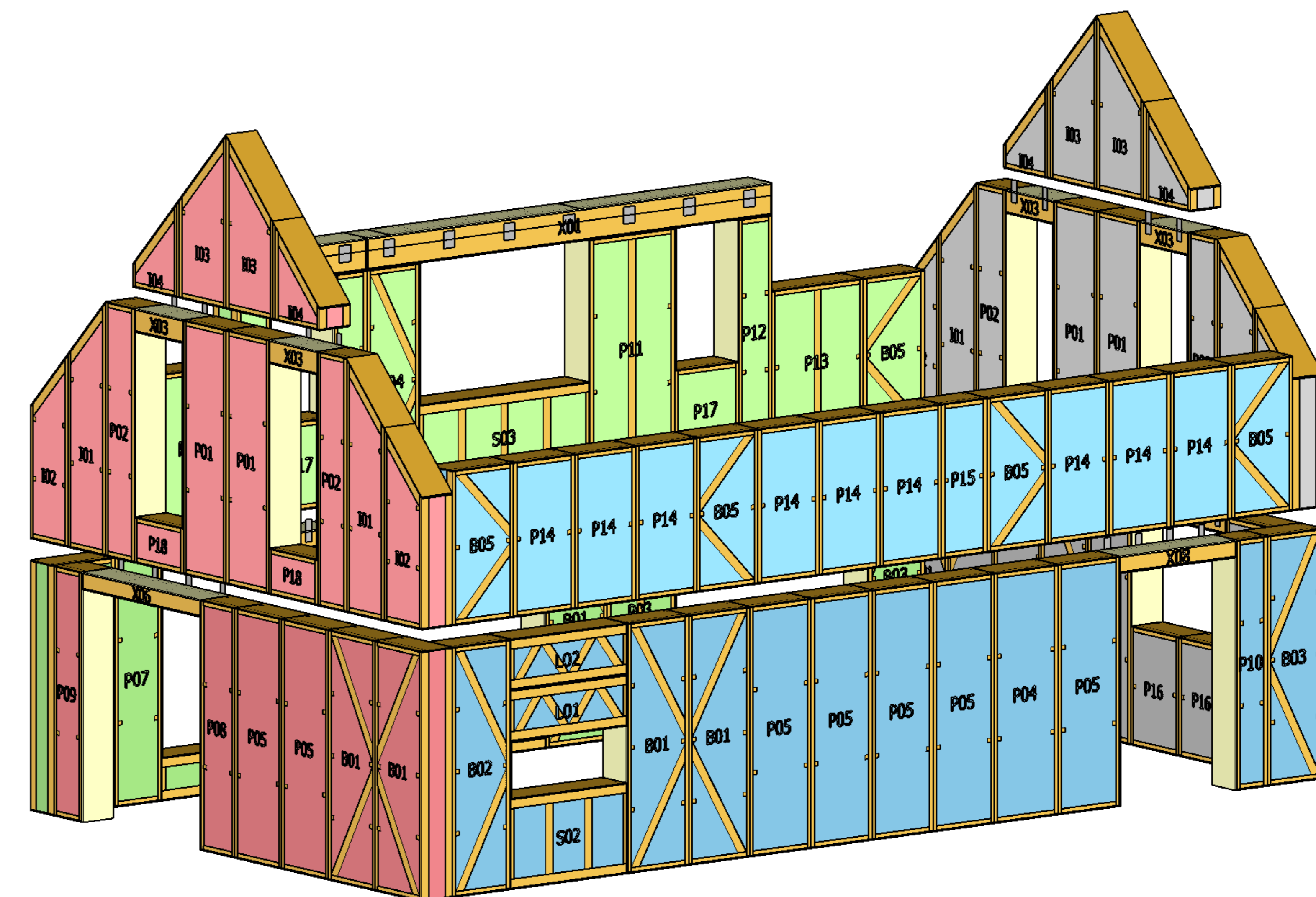
- » list of panels with dimensions and weight
- » additional timber and plywood list
- » list of wall openings
- » wall number legend and 3D view of assembly
- » plan view
- » elevations with dimensions

The view is always from the exterior. The drawings include the thickness of the plywood boards to be installed in the reveals of openings (supplied with EcoCocon panels, see Lintel Assembly p. 22).

Measurements of openings are always from plywood to plywood.

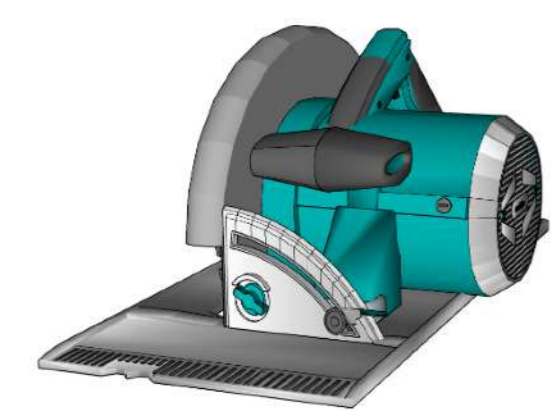
Important:

Lintels, Braced panels and Box elements must be oriented exactly as shown as they have asymmetrical properties.

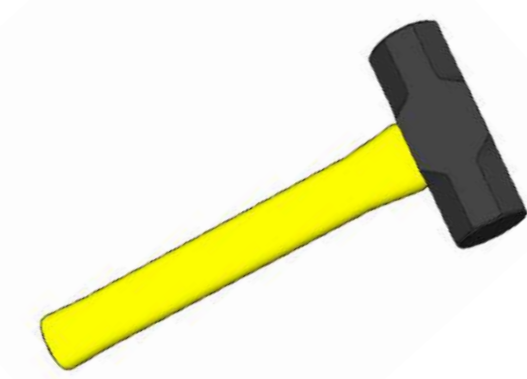


Mounting Tools

Installation of the EcoCocon Straw Wall System requires only the following basic carpentry tools:



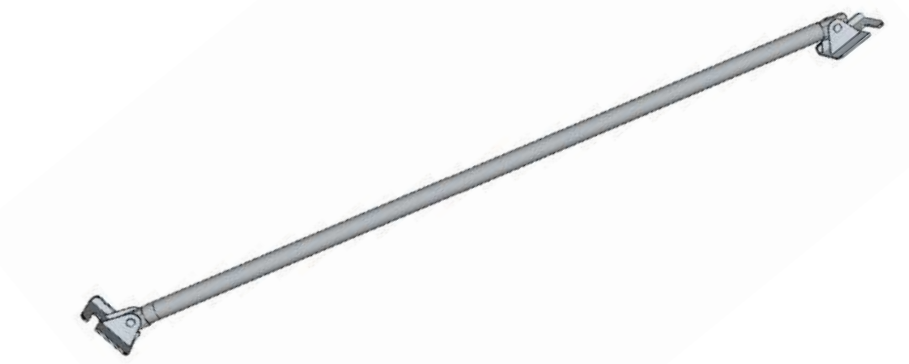
circular saw



lump hammer (5 kg)



ratchet straps



temporary metal wall brace



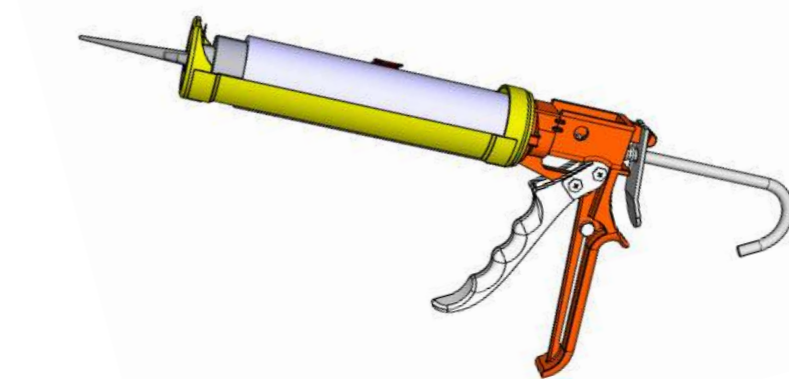
impact screwdriver
& long bit holder



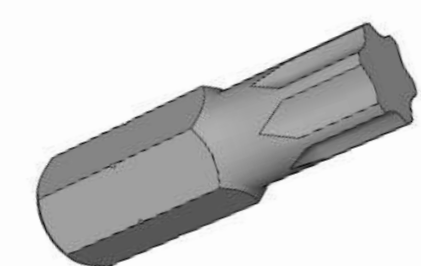
stanley type knife/scissors



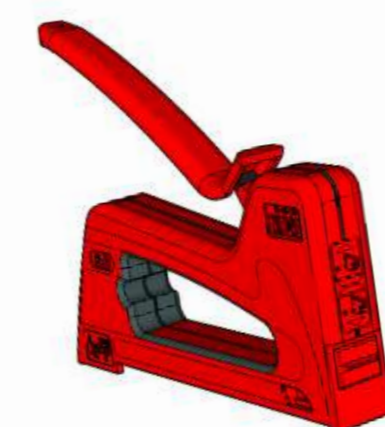
ladder/scaffolding



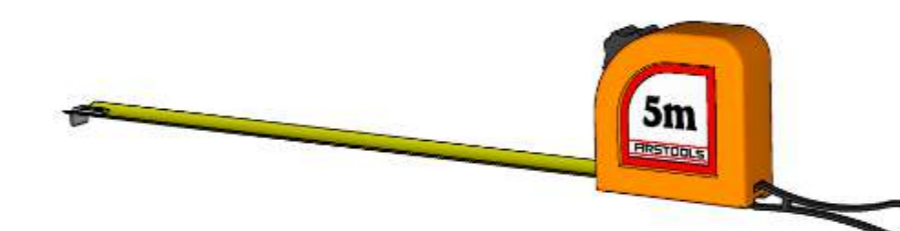
glue gun



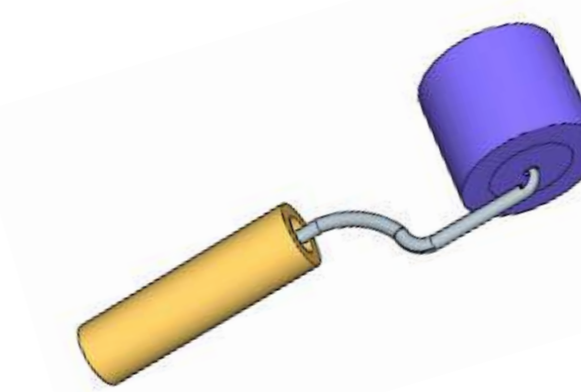
drill bit sizes
- Torx 30 & 40



stapler



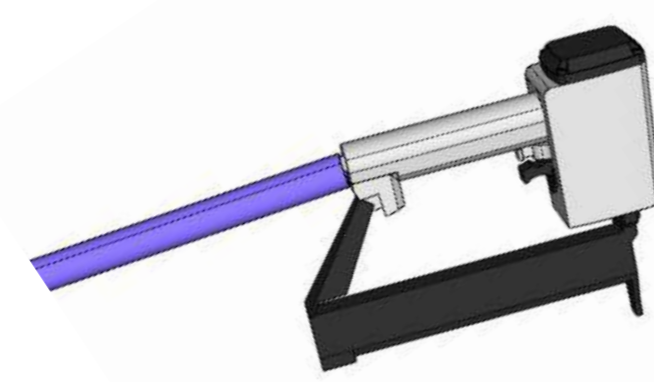
measuring tape



seam roller



variety of clamps of different lengths (at least 1 m long, could include ratchets)



pneumatic air staple gun for mounting plywood strips (or 35 mm screws)



calibrated moisture meter



pencil/marker



Materials

Materials in delivery

These are materials usually included in the delivery, depending on order:

- » EcoCocon panels
- » Box elements
- » plywood for window reveal (21 mm)
- » screws for panel assembly
- » wooden dowels for panel assembly
- » breather membrane
- » air sealing tape
- » plywood strips (90 mm wide) for fixing the breather membrane
- » transparent plastic sheeting for temporary weather protection on the interior side

In some cases the order may also include:

- » external fibre board insulation
- » clay plaster
- » wood fibre board (7 mm) for plaster support internally
- » extra timber and plywood

Materials to be prepared

Apart from the materials included in the delivery, you will also need:

- » heavy-duty tarpaulin at least 240 g/m² (temporary weather protection) and cardboard corners to prevent the tarpaulin from tearing
- » 30 mm staples (or 35 mm screws) for fixing plywood strips
- » staples or screws for fixing exterior wood fibre board insulation (follow manufacturer's instructions)
- » foam weather strip tape between membrane and top plate

Please note that materials for building the foundation, base plate, top plate, roof or final exterior and interior finish are NOT included in the delivery.

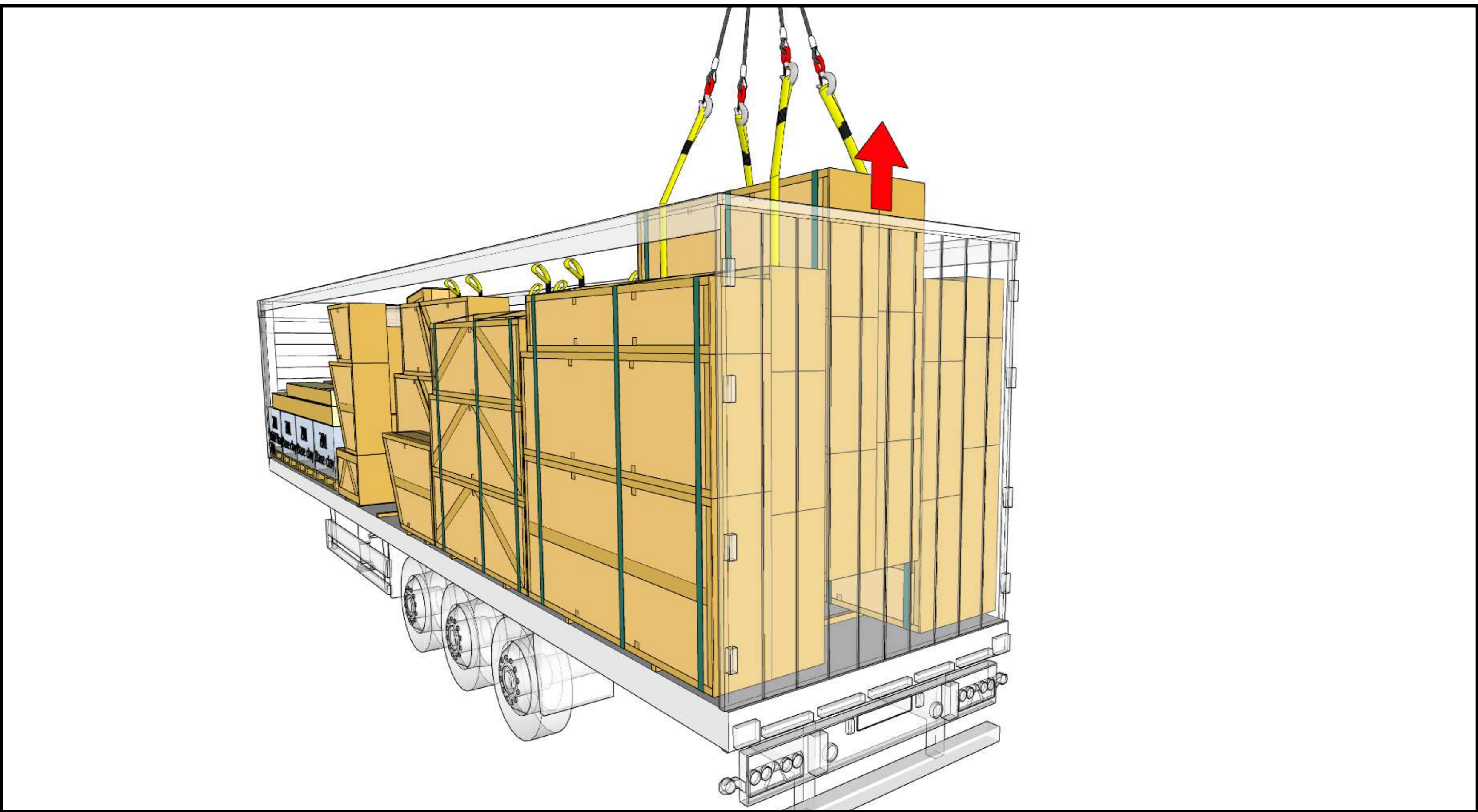


Wall System Assembly



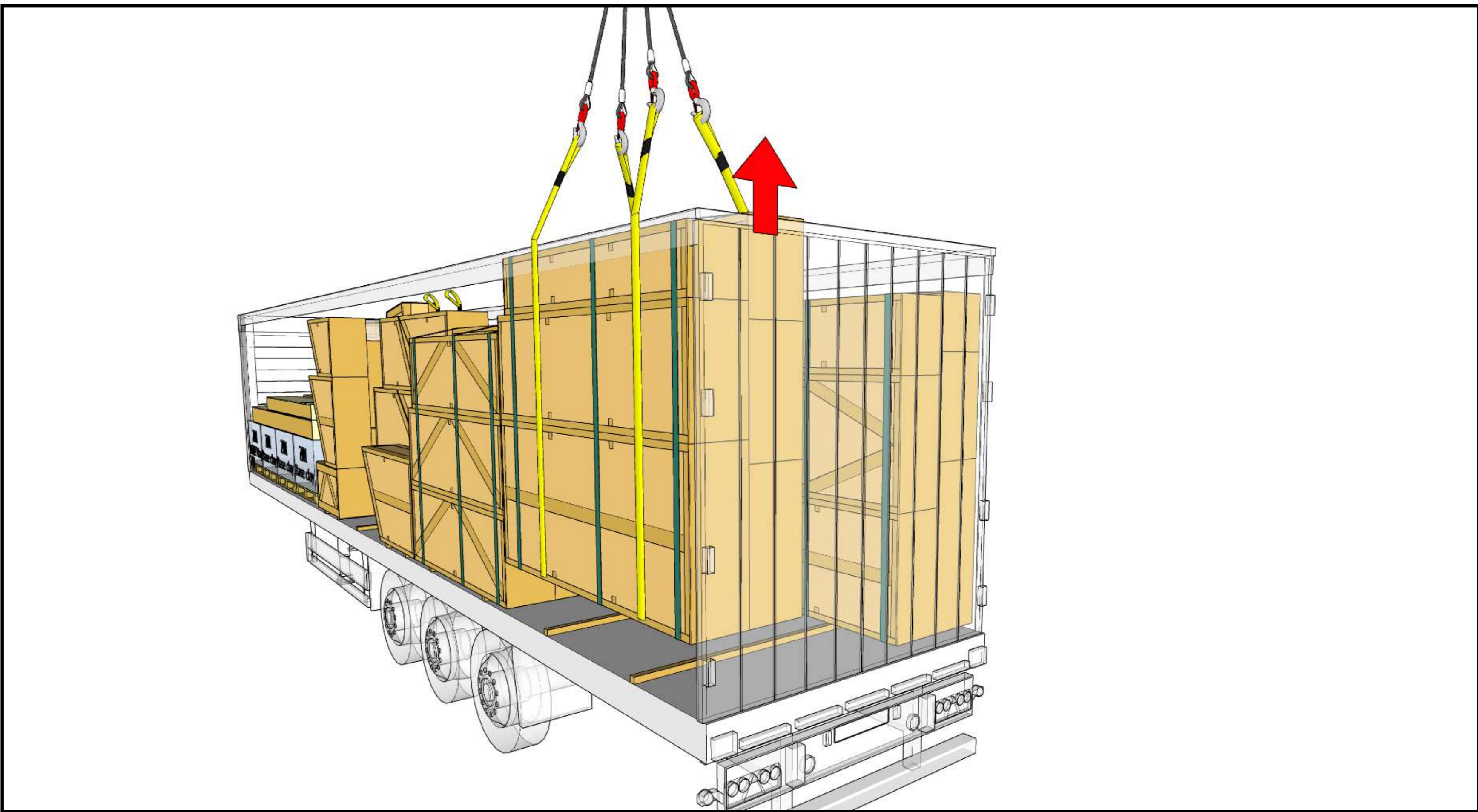
Unloading

01



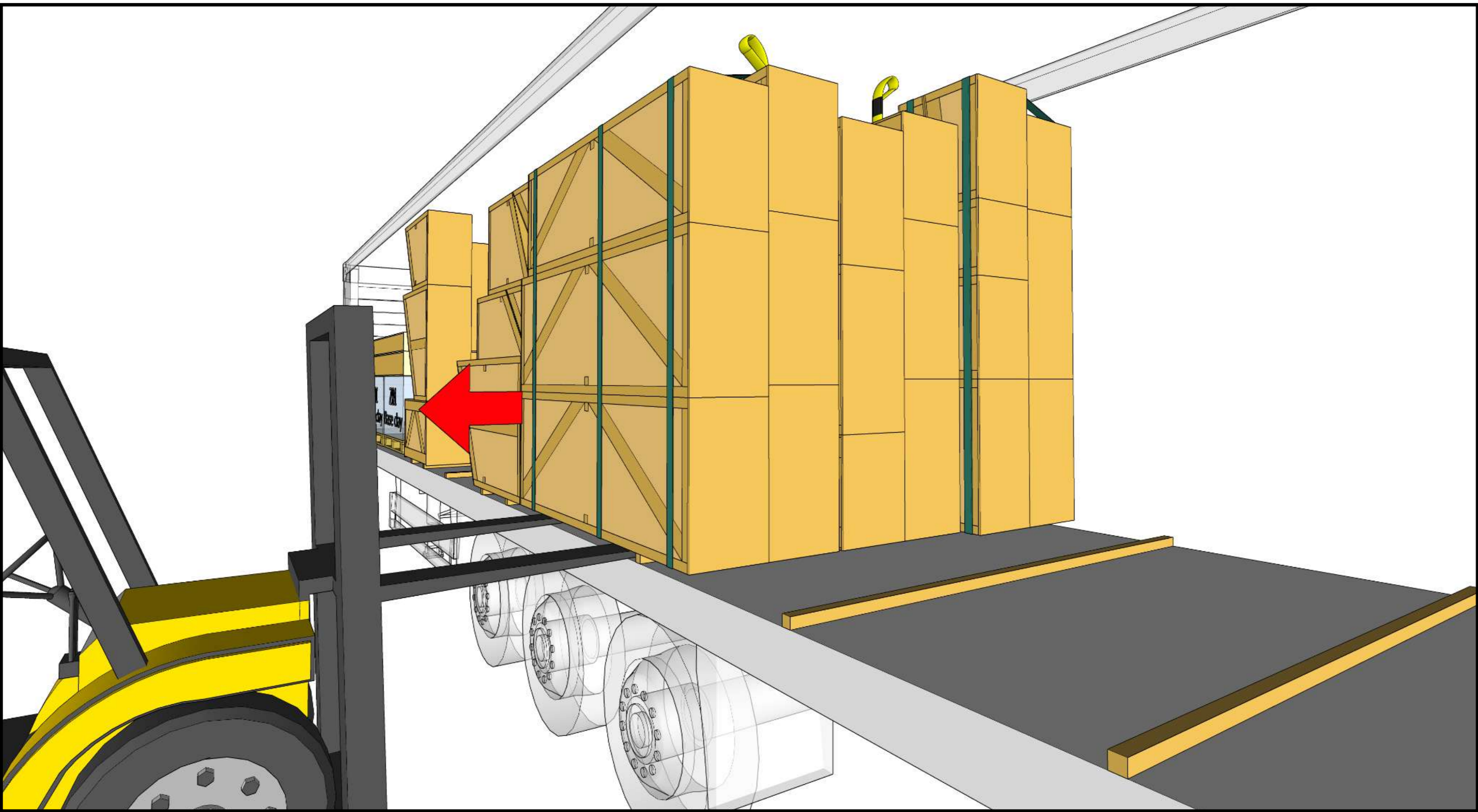
When using a crane, start unloading from the middle package, using pre-installed straps.

02



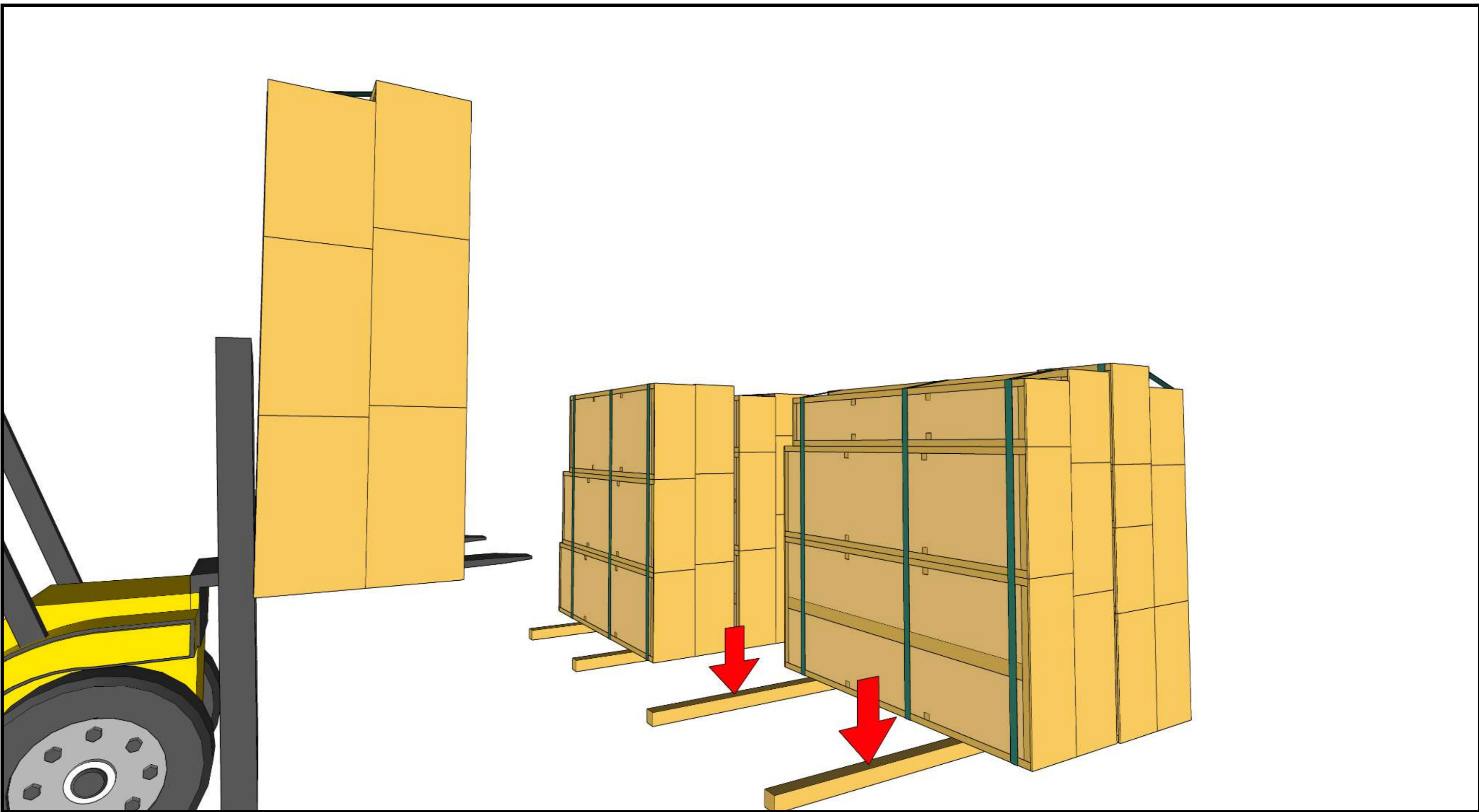
Reuse the straps on the side packages.

03



Or unload from the side with a forklift.

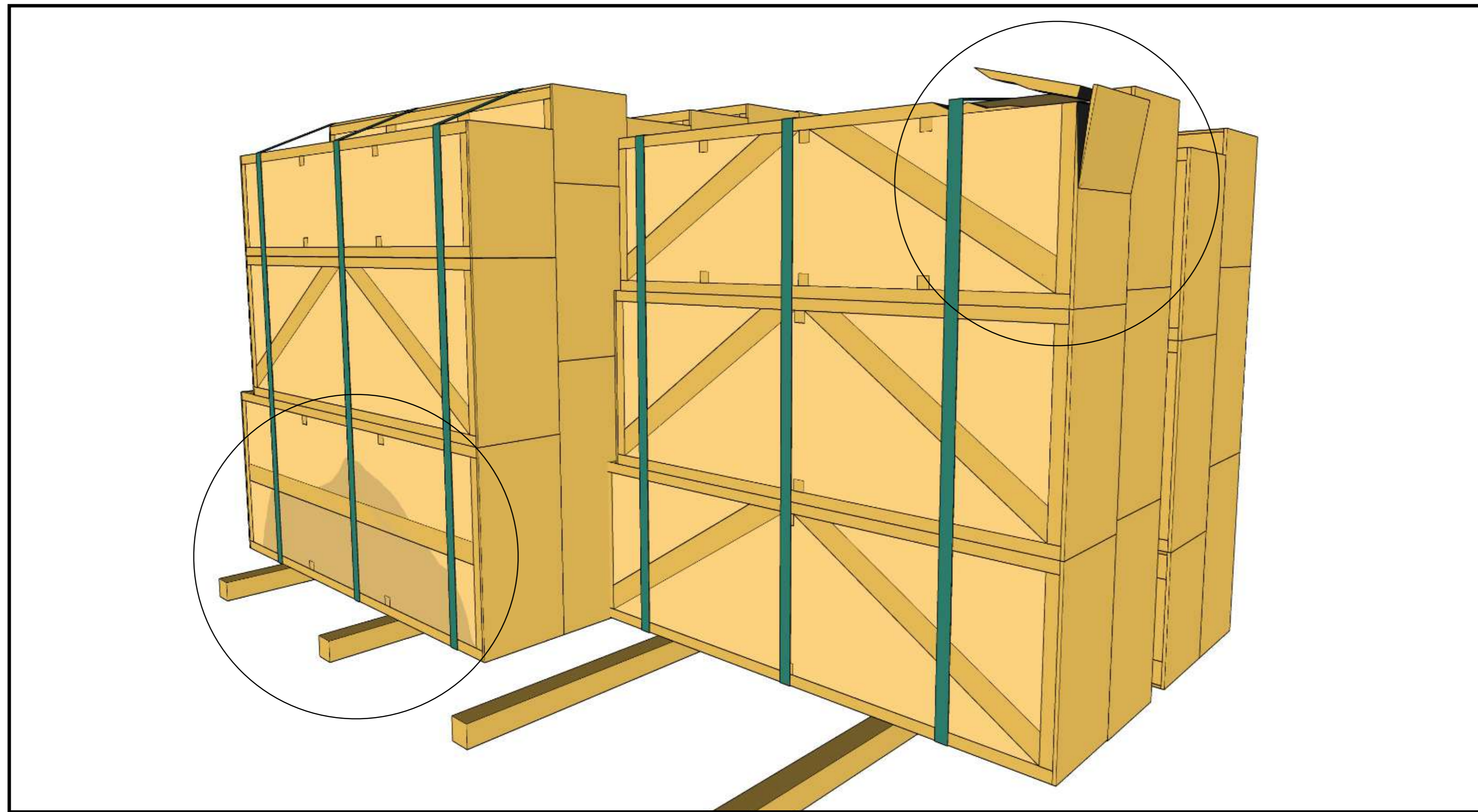
04



Always keep the panels off the ground, place timber battens beneath.

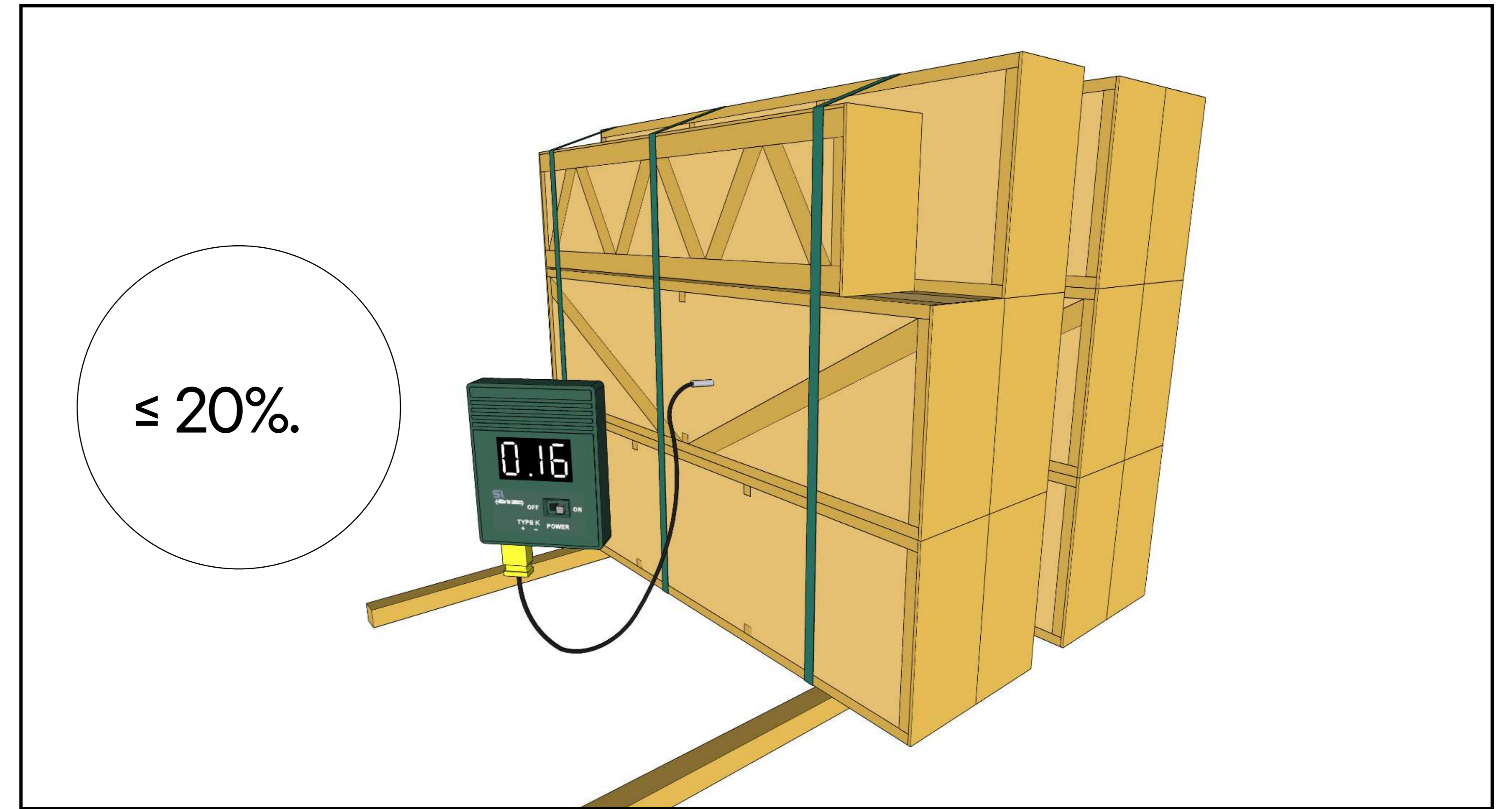


05



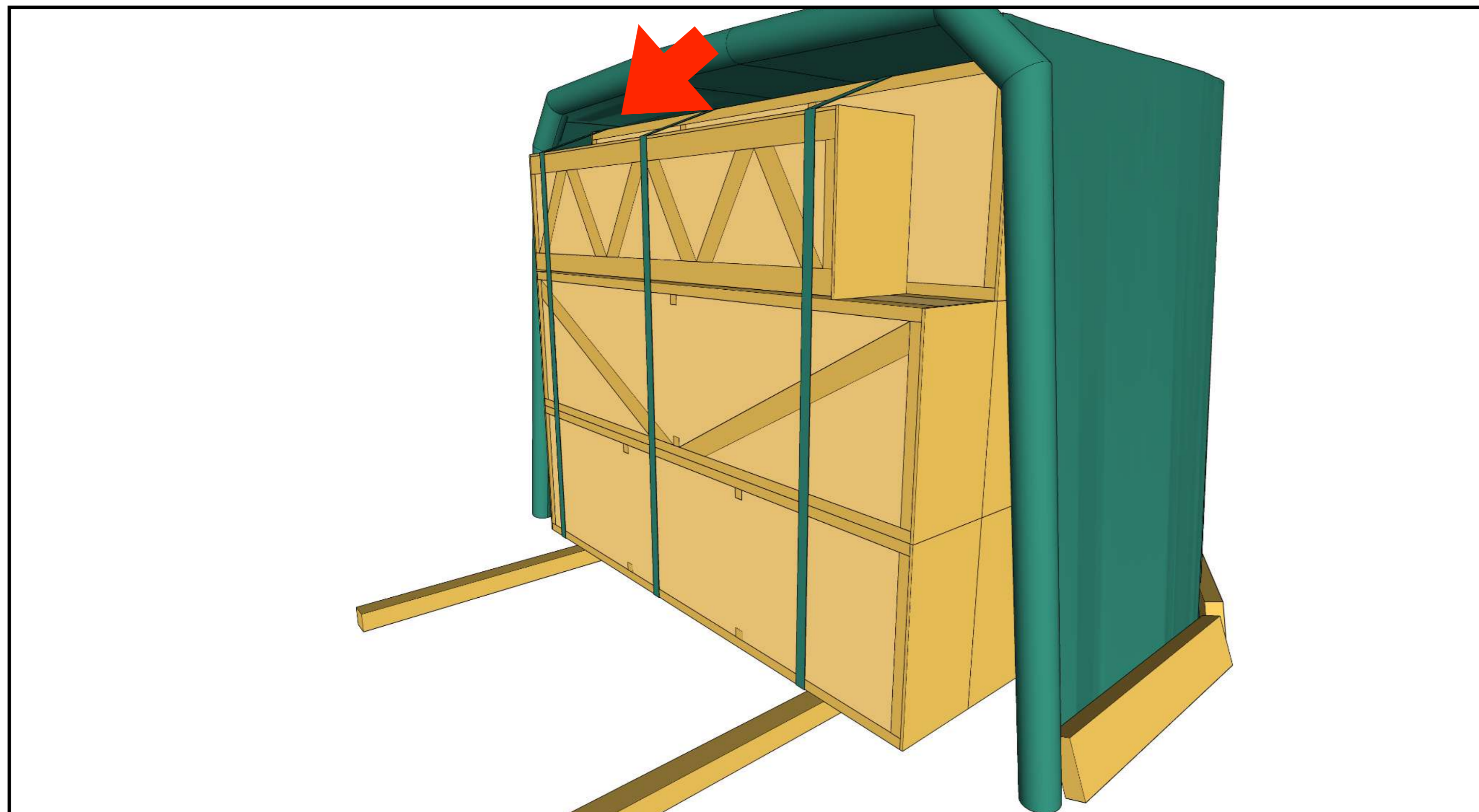
Immediately after unloading, check the panels visually for any mechanical or moisture damage. In case of damage, follow the warranty procedure.

06



Check the humidity of delivered panels with a calibrated moisture meter. It must not exceed 20%.

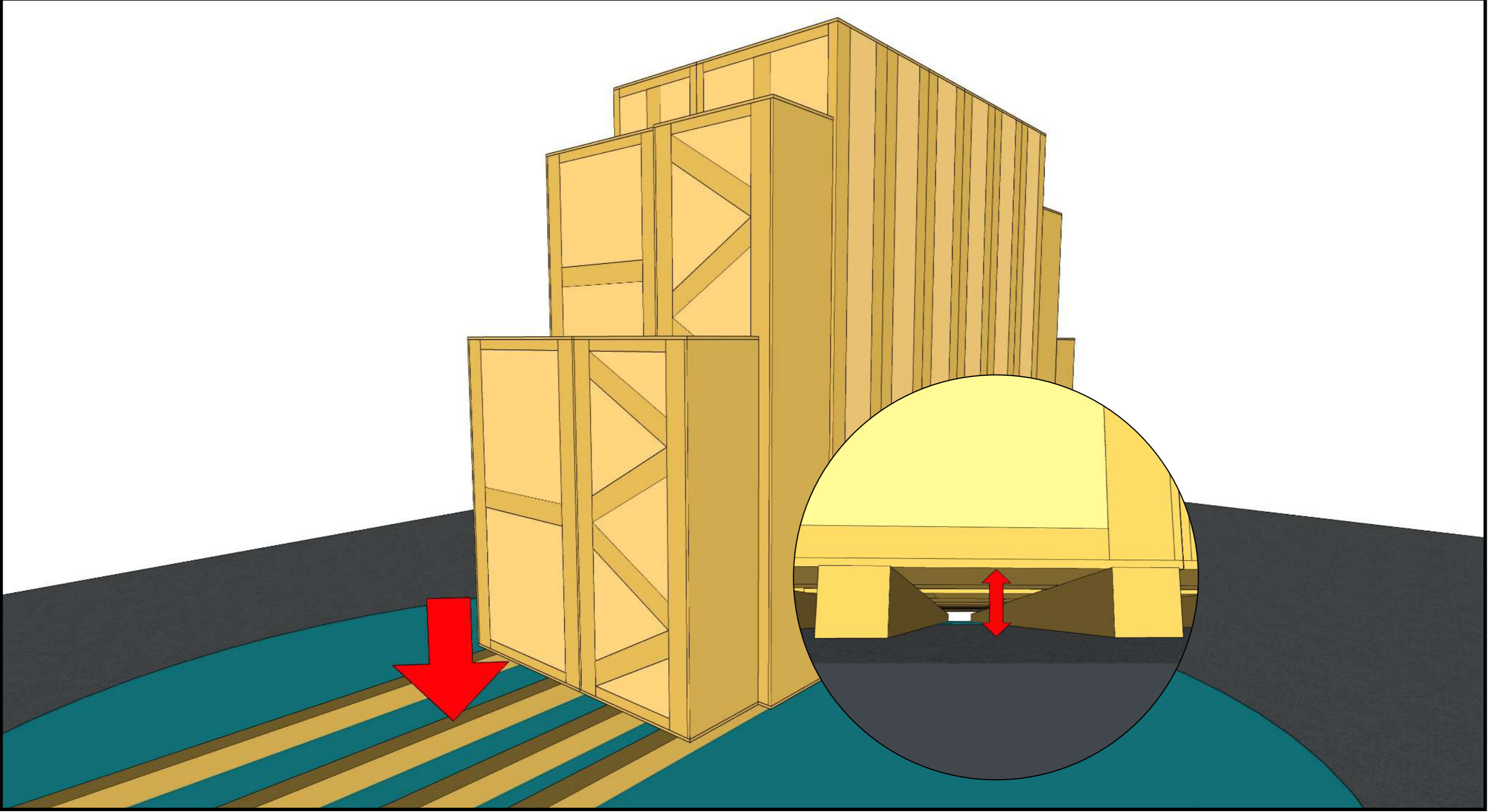
07



Protect panels immediately after unloading by using a heavy-duty tarpaulin at least 240 g/m².

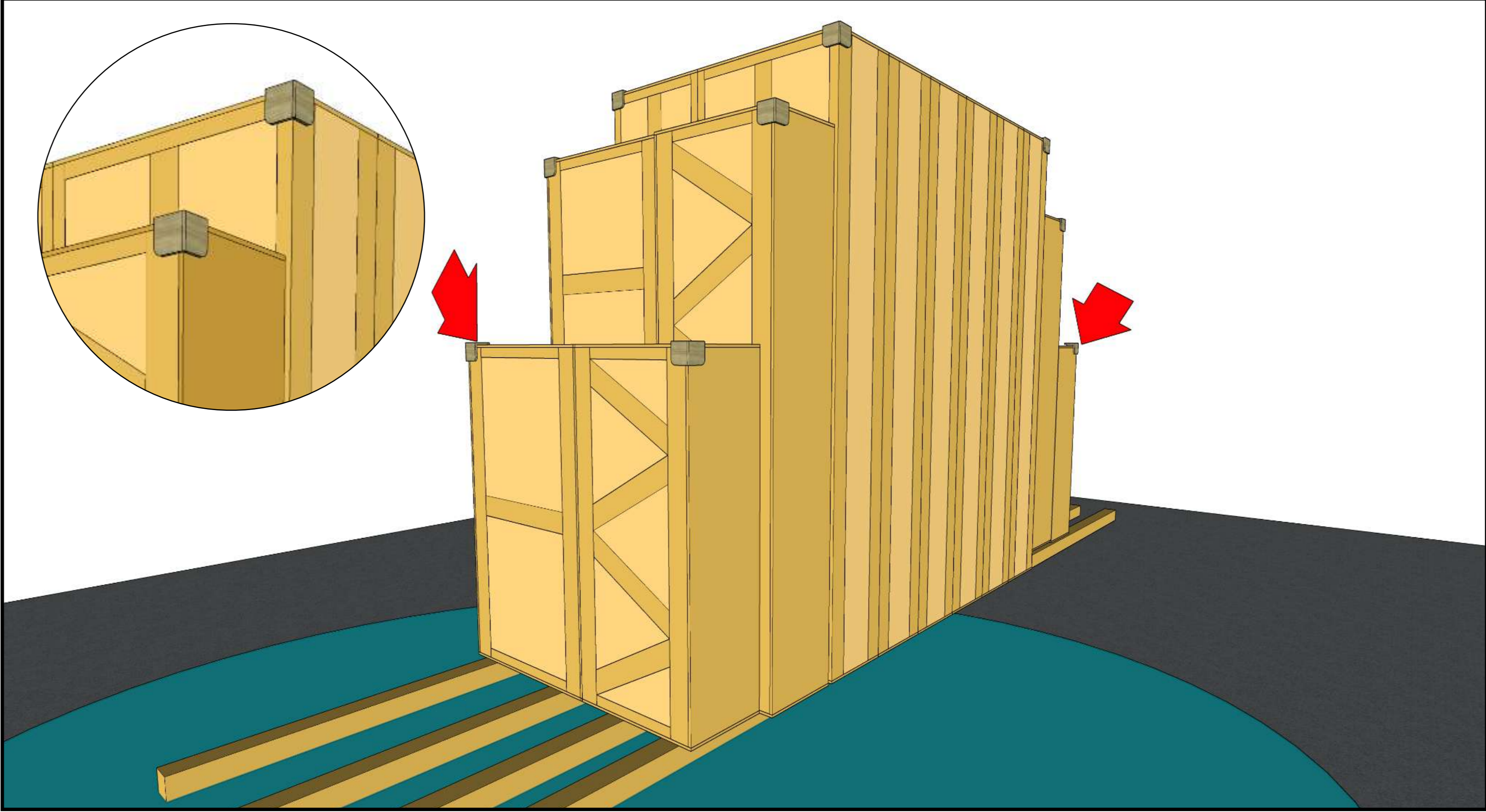
Temporary Storage on Building Site

01



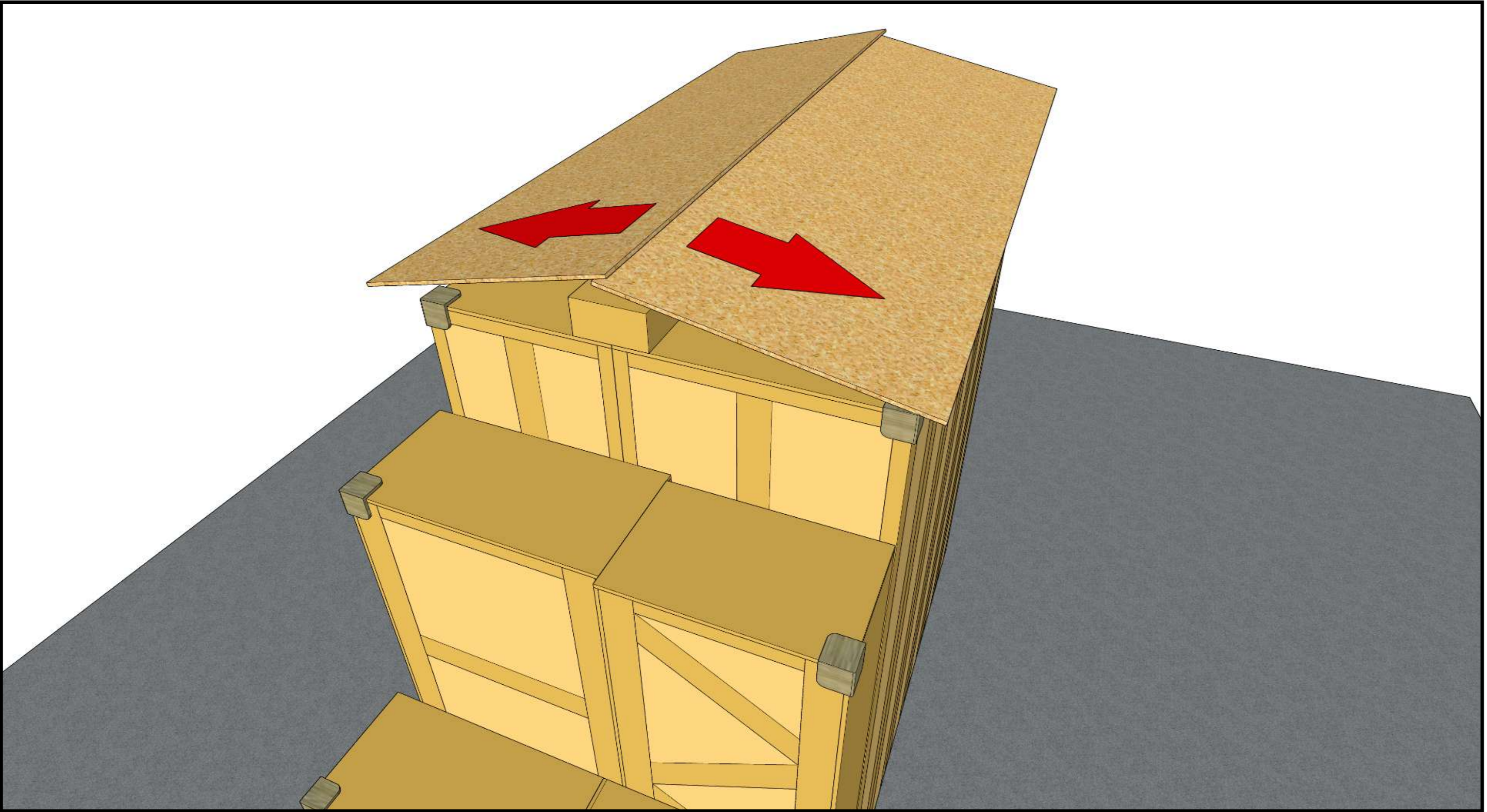
Keep panels off the ground to protect them from moisture or flooding after rainfall.

02



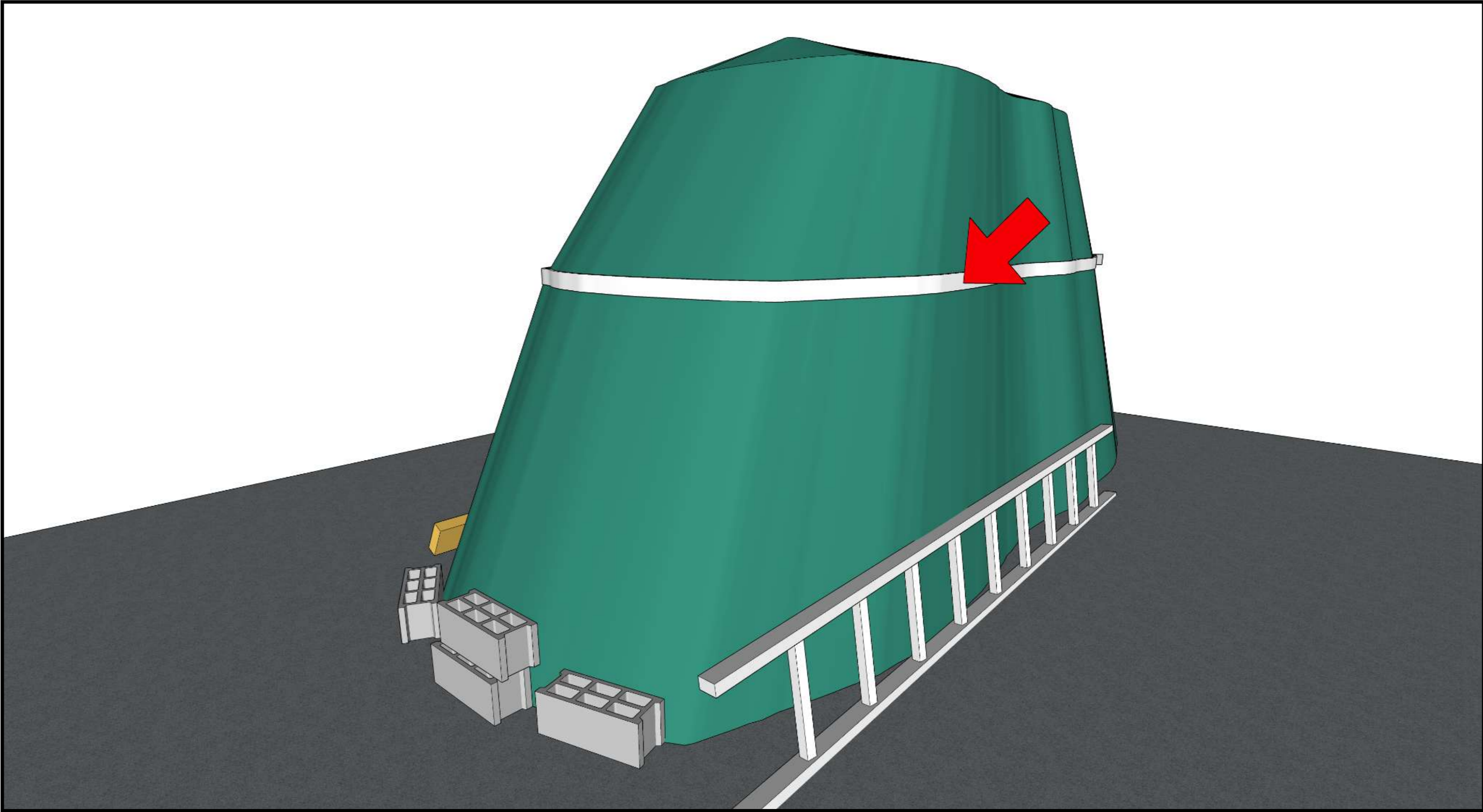
Use protective cardboard corners to prevent the tarpaulin from tearing.

03



Create a sloping support under the tarpaulin to allow rainwater to drain away.

04

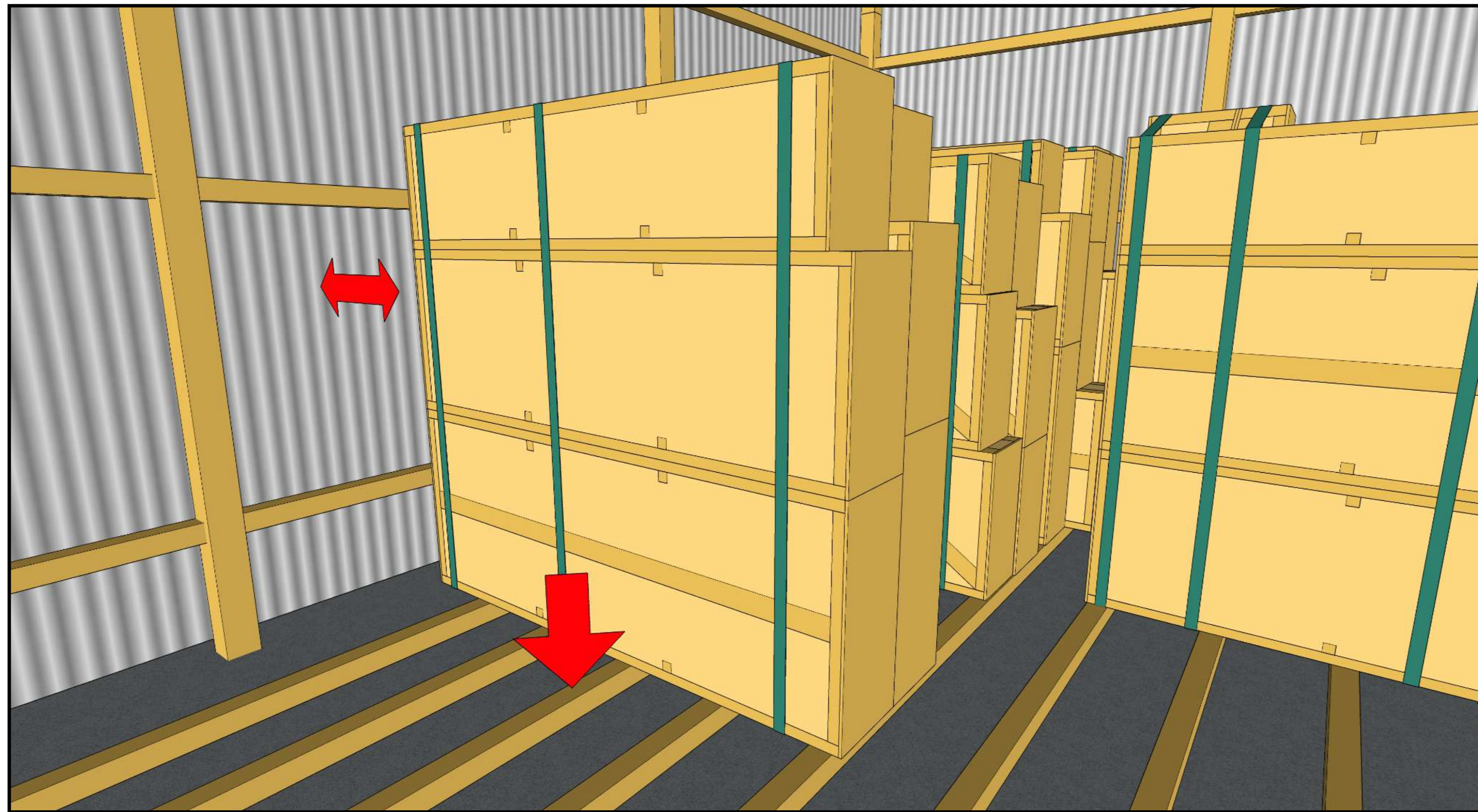


Use a heavy duty tarpaulin. Fix it with battens or straps to prevent it from tearing in the wind. Beware of condensation under the tarpaulin.



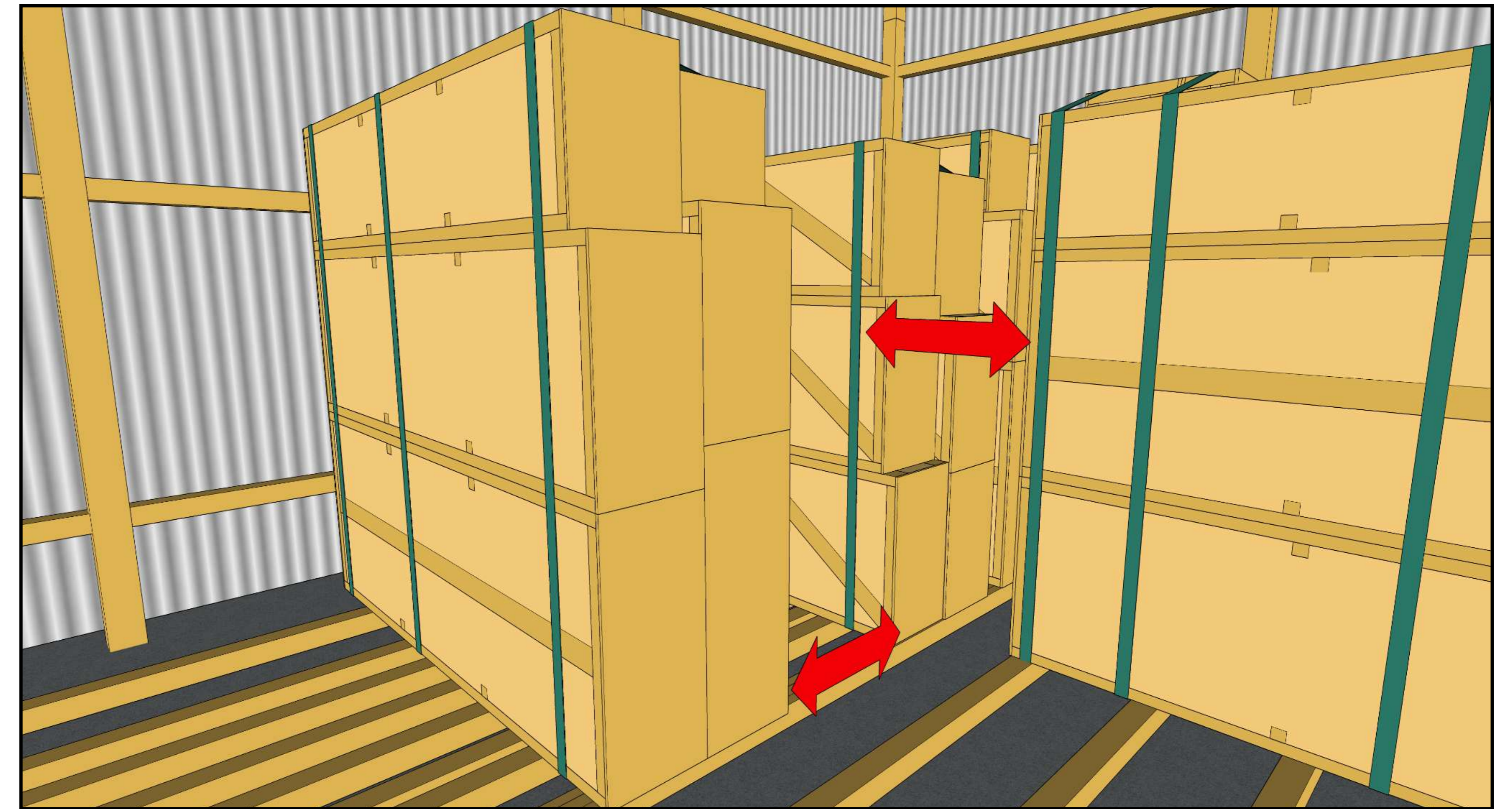
Temporary Storage in a Storage Building

01



If stored in a storage building, the panels need to be kept above the ground and ventilated.

02

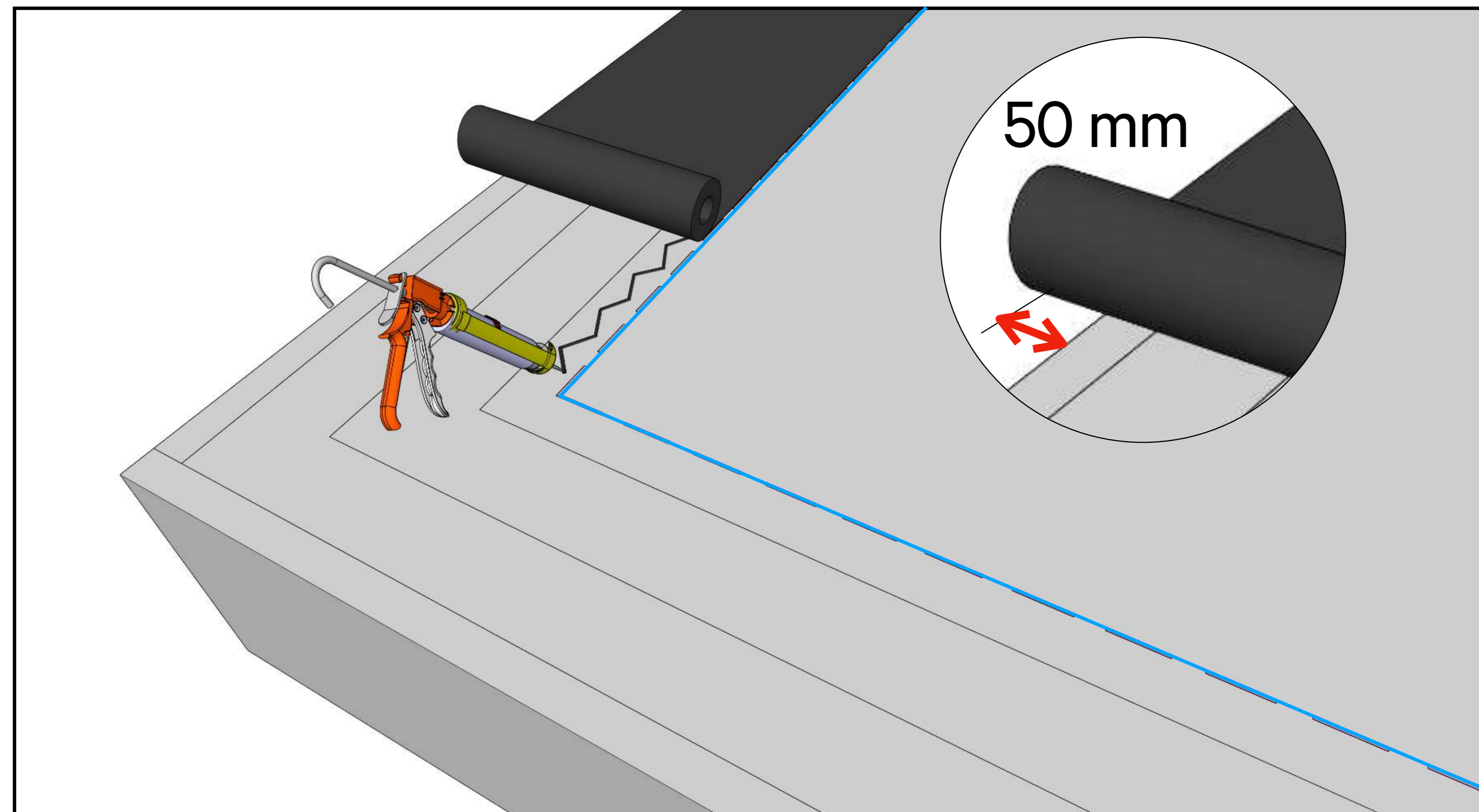


Store panels in packages with gaps between them.



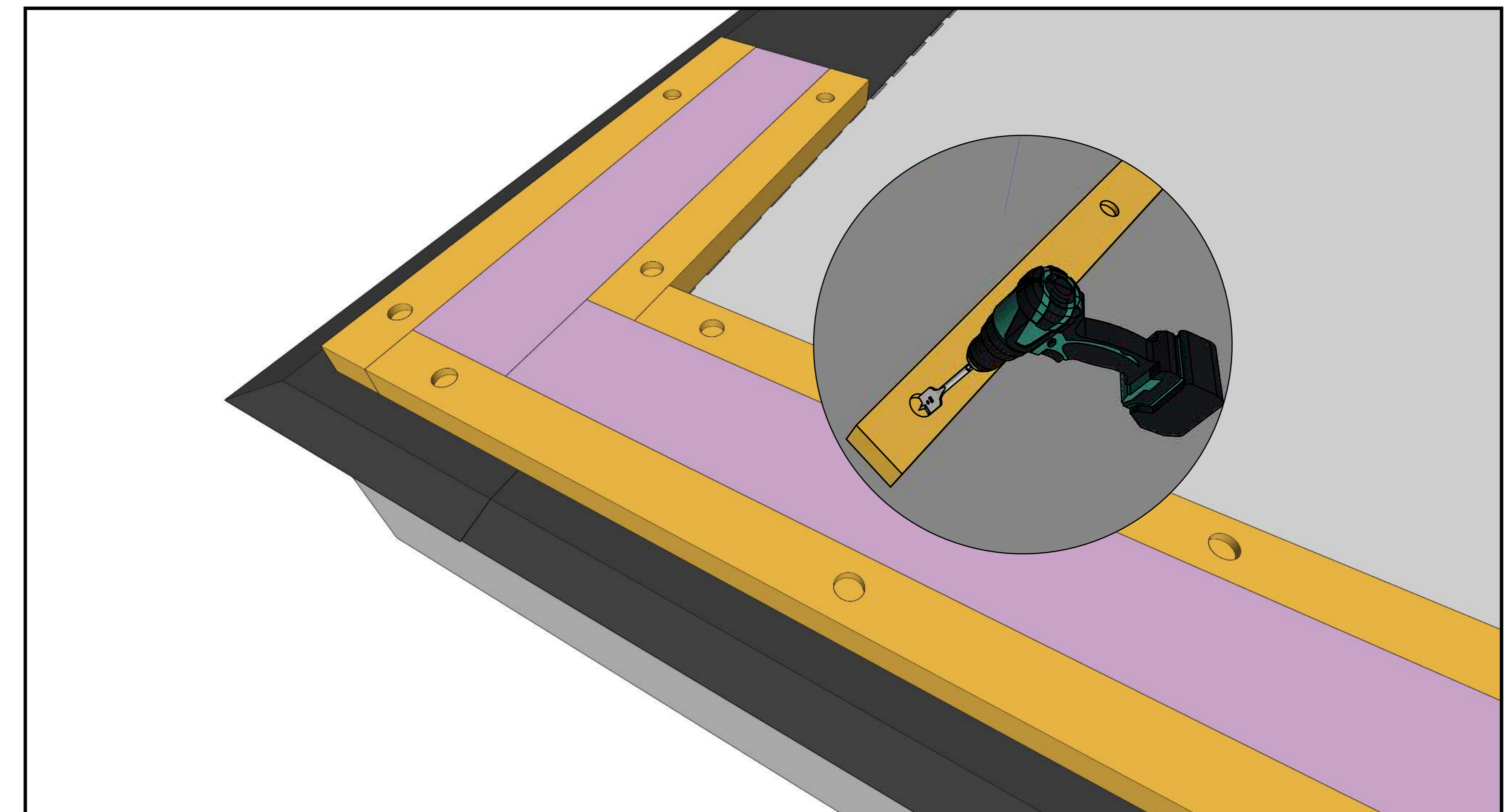
Preparing the Base Plate

01



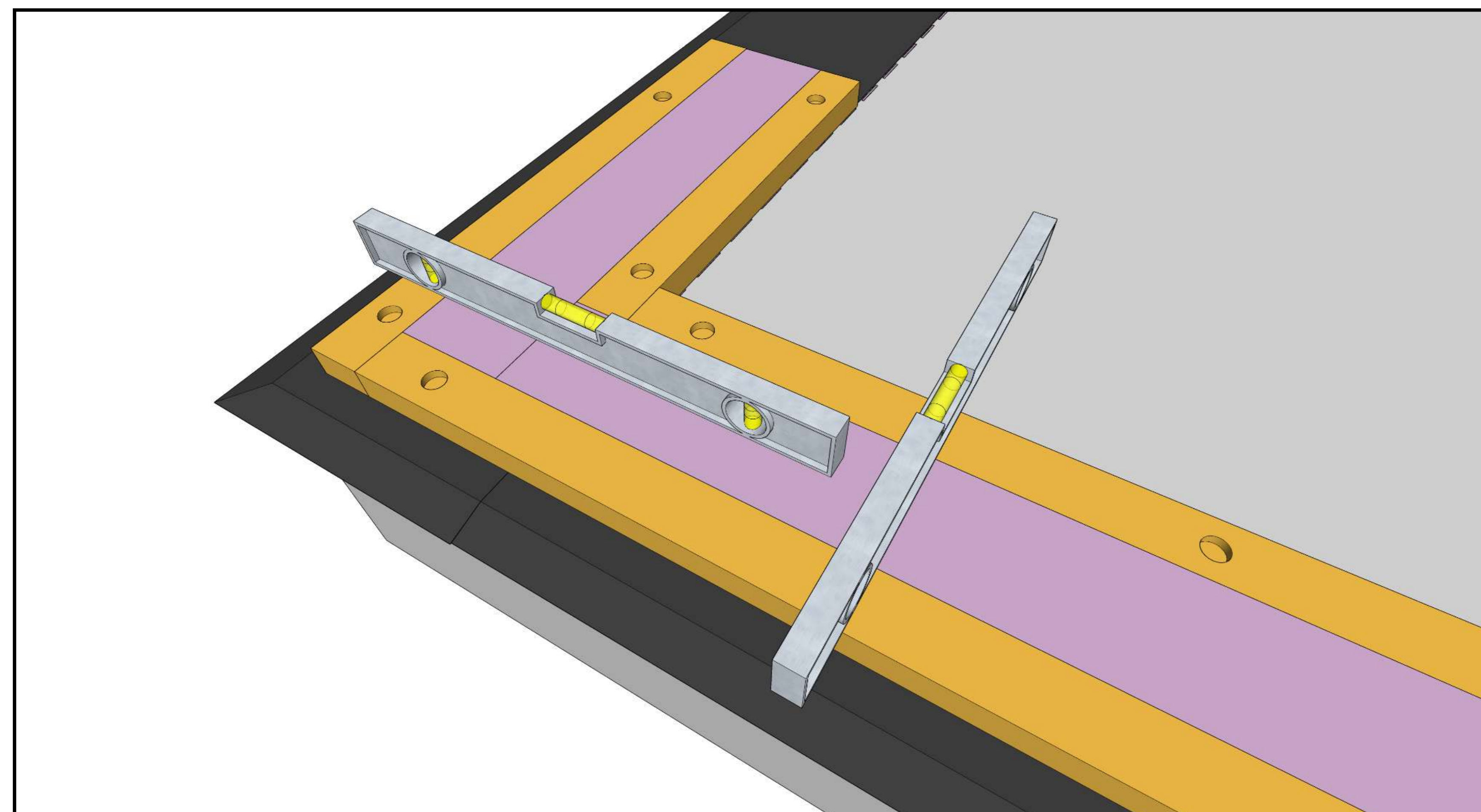
Install a waterproof membrane prior to mounting the base plate, membrane to be 50 mm wider than base plate on outer side to connect to the airtight layers later.

02



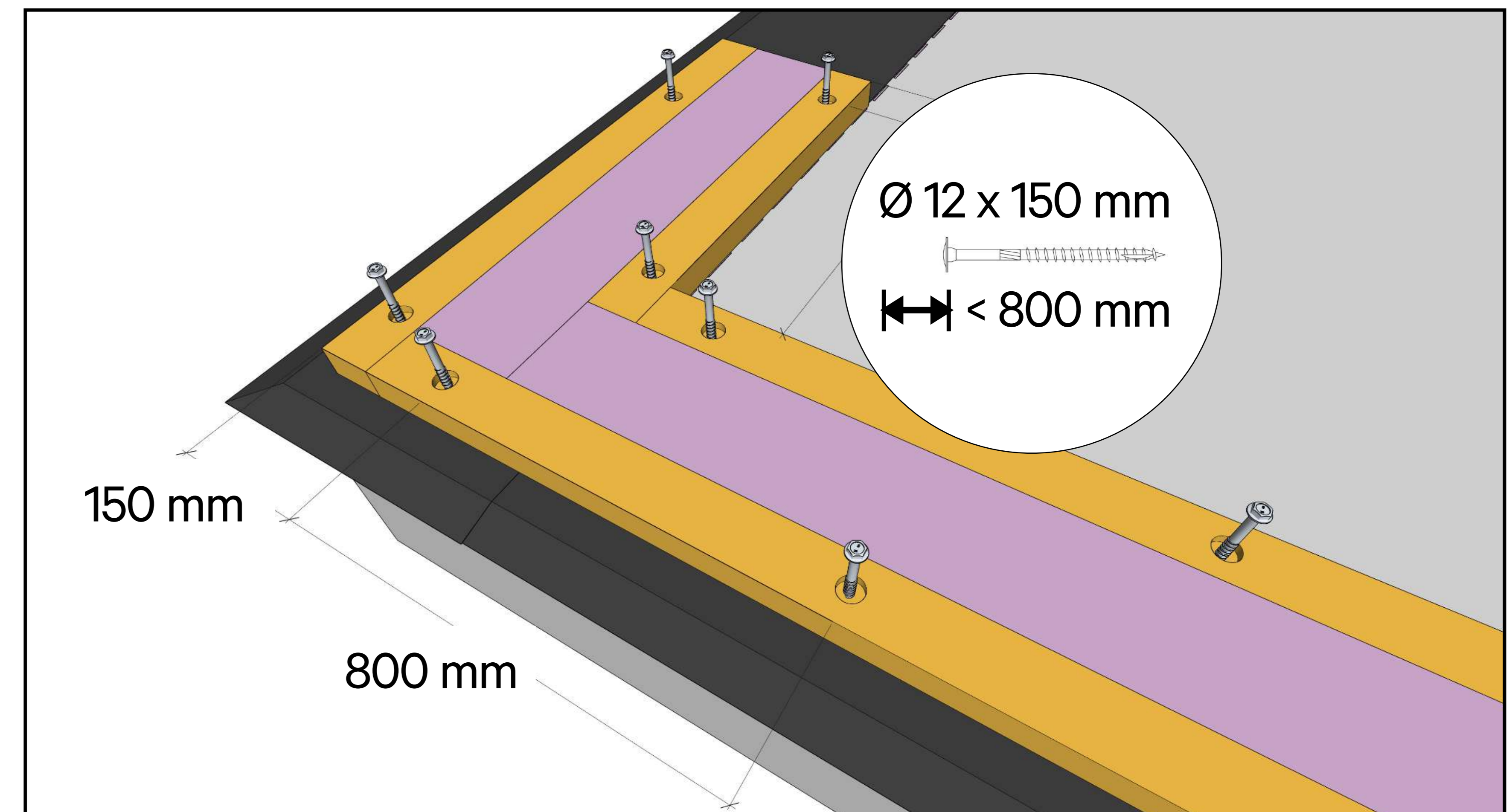
Timber base plate should match the width of the panels, and include water-resistant insulation centrally. Countersink for screws/anchors.

03



Ensure horizontal flatness of base plate. If the differences are small (1 to 5 mm) use a plane. If the differences are larger, level the foundation or use a custom-made base plate.

04

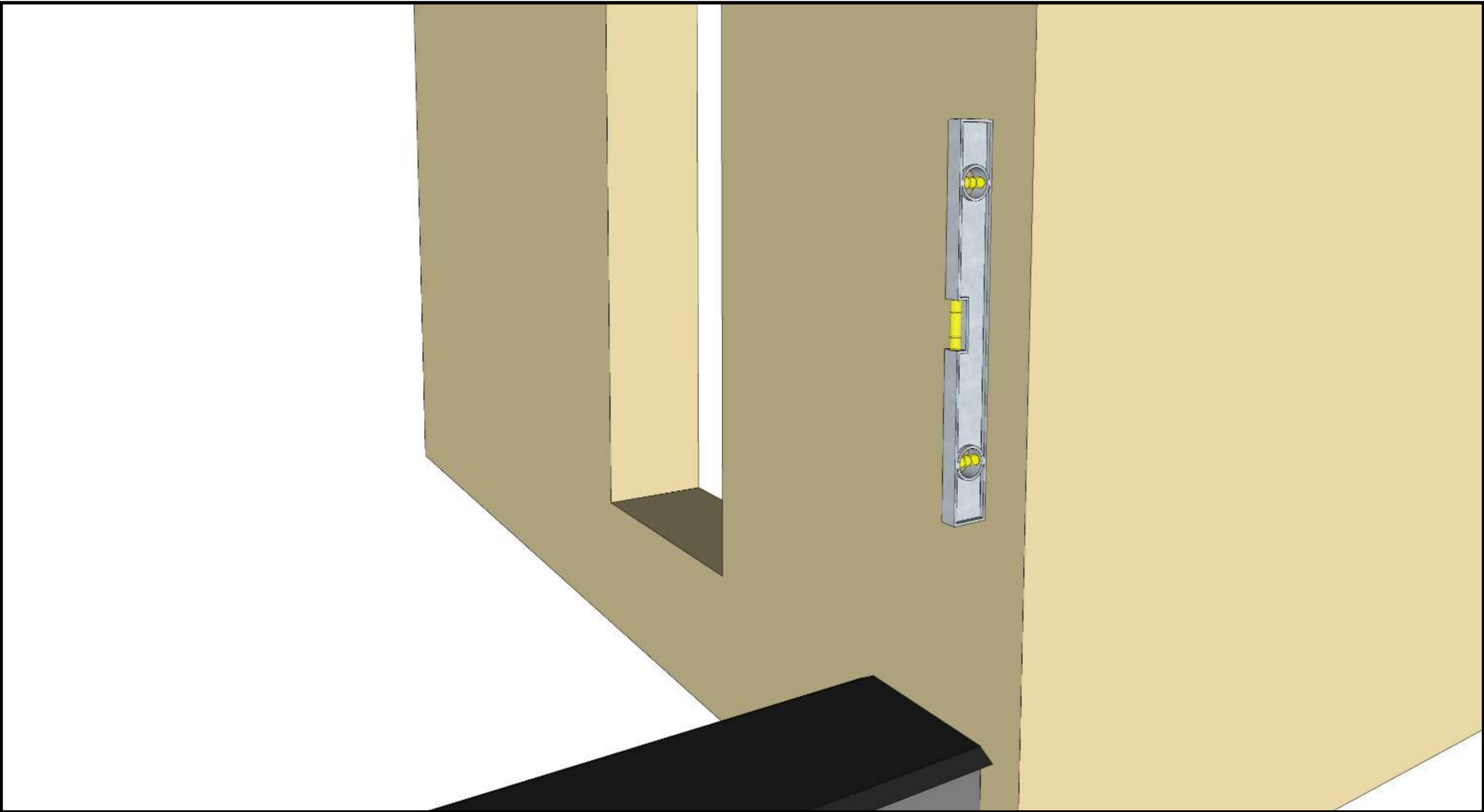


Use screws every 800 mm (150 mm from corner and openings), unless indicated otherwise by the structural engineer.



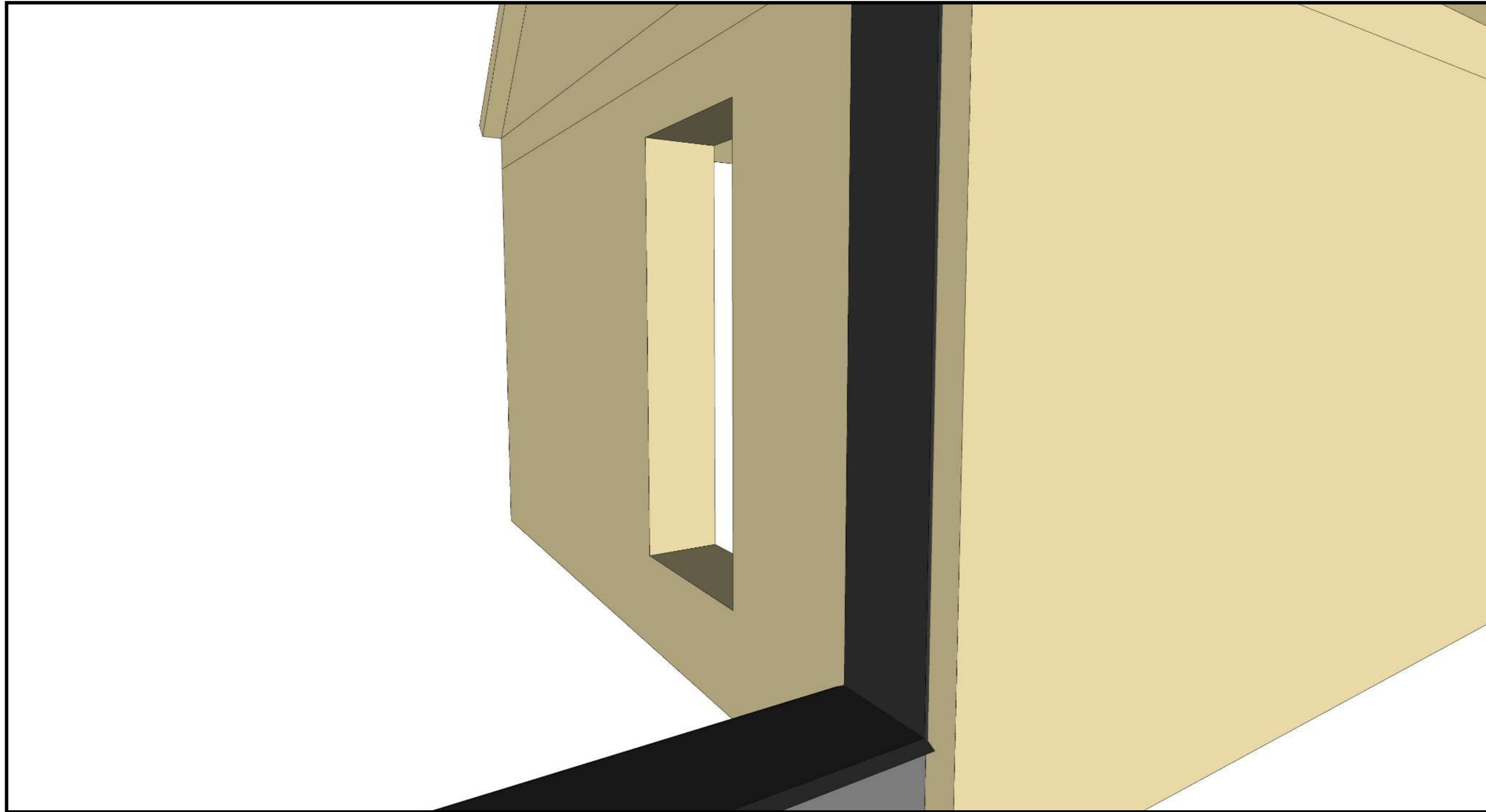
Connections to Existing Structures

01



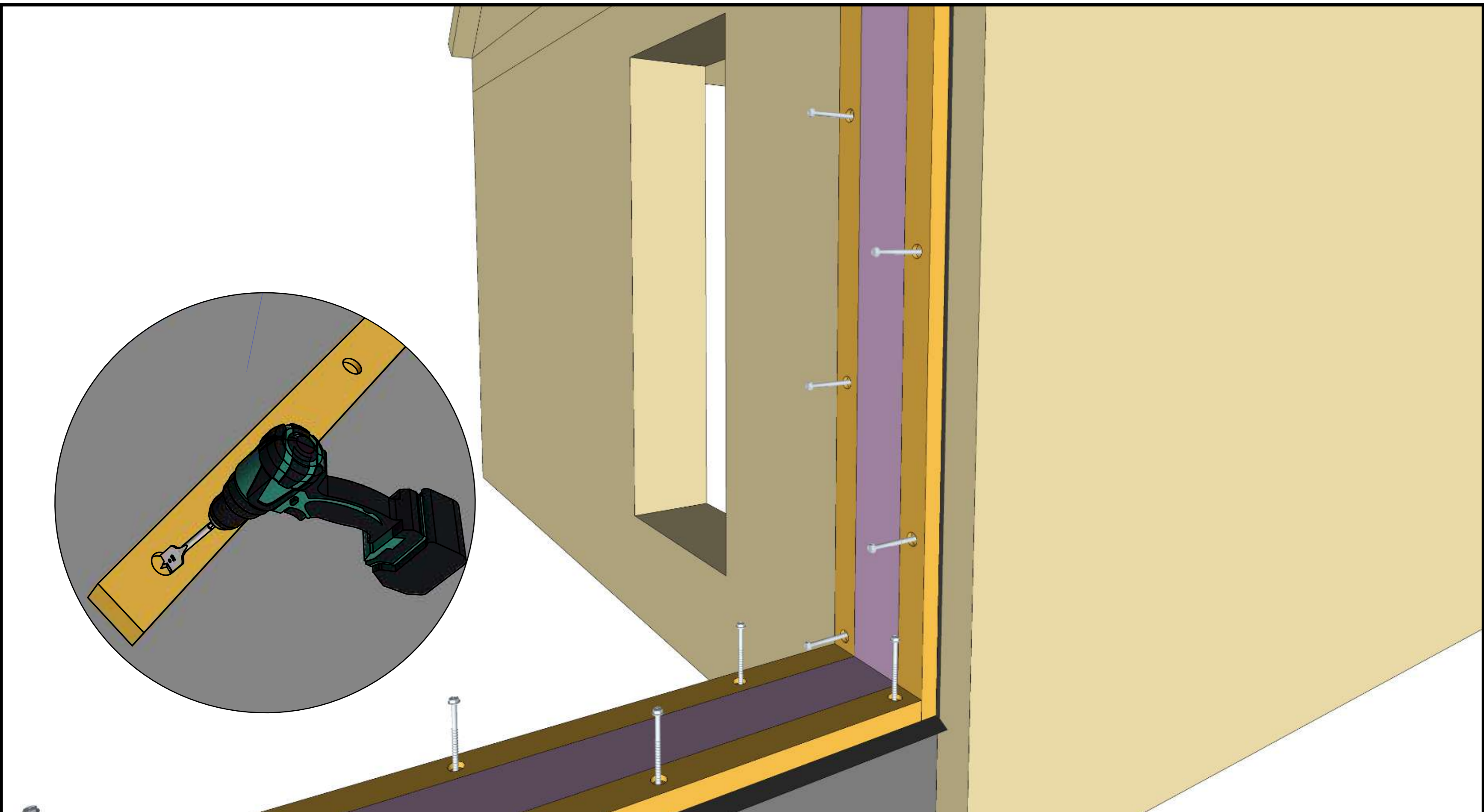
Ensure the wall surface is even.

02



Ensure waterproofing and airtight connection in the same way as for foundations.

03

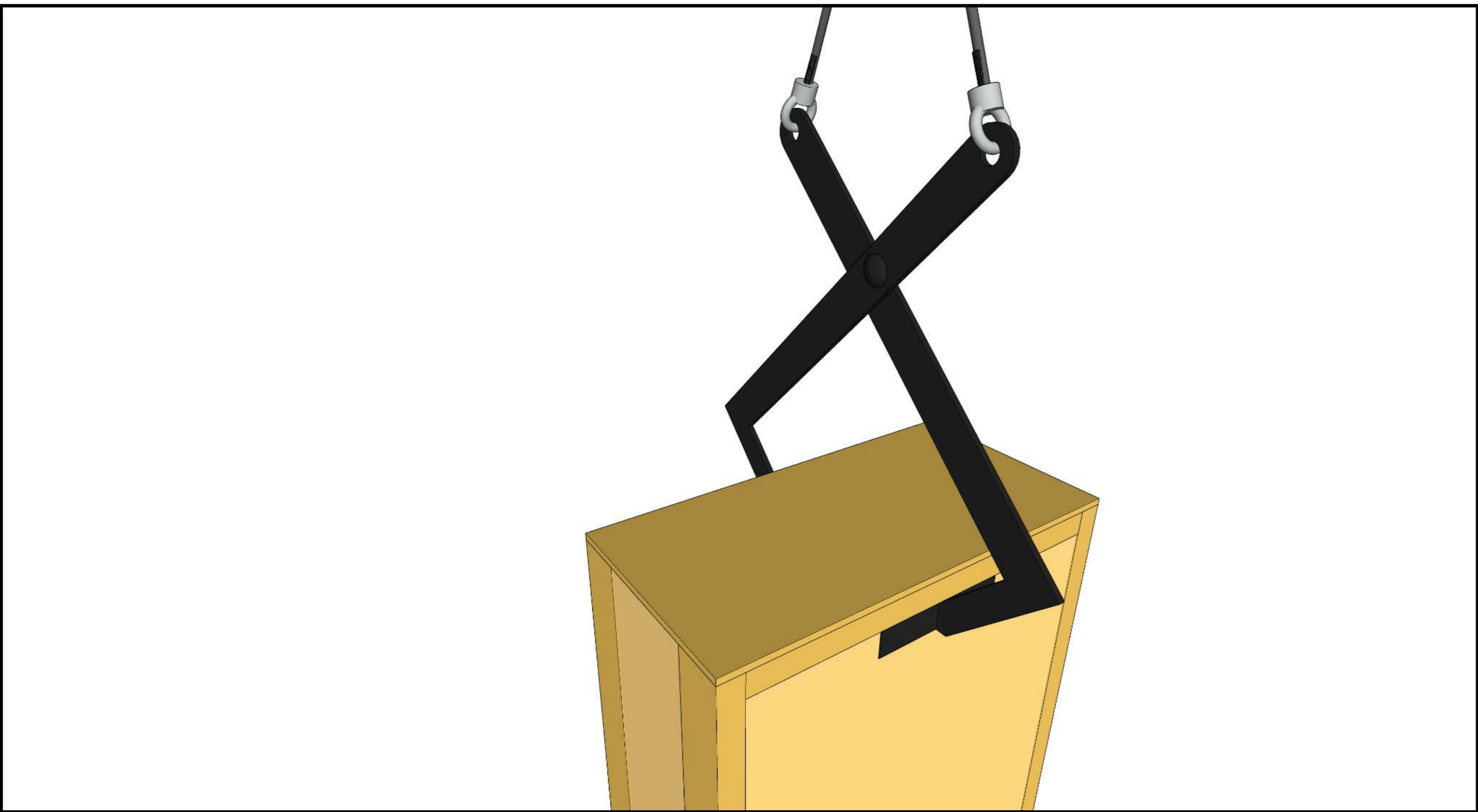


Anchor the base plate vertically to the wall in the same way as for foundations. Countersink for screws/anchors.



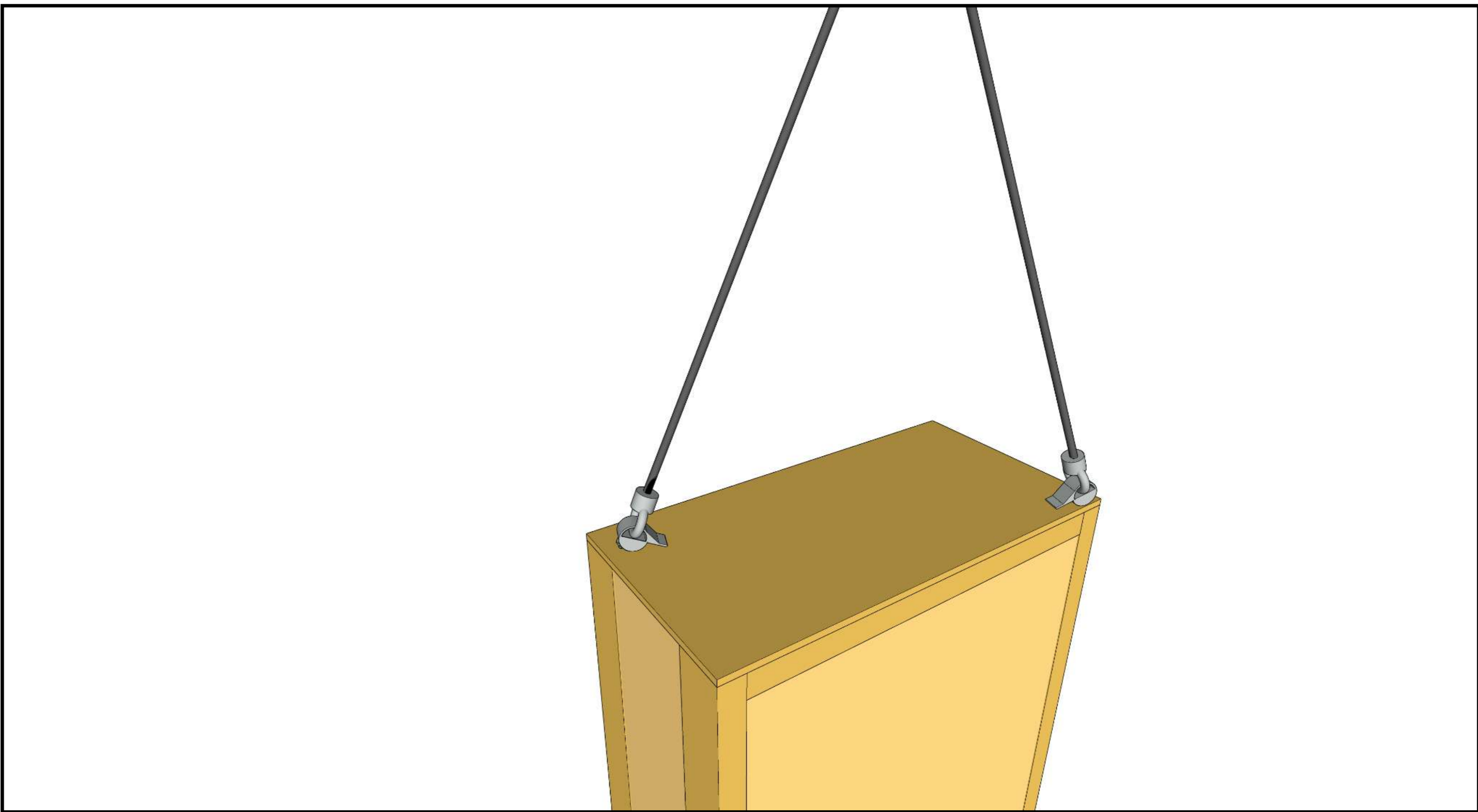
Lifting the Panels

01



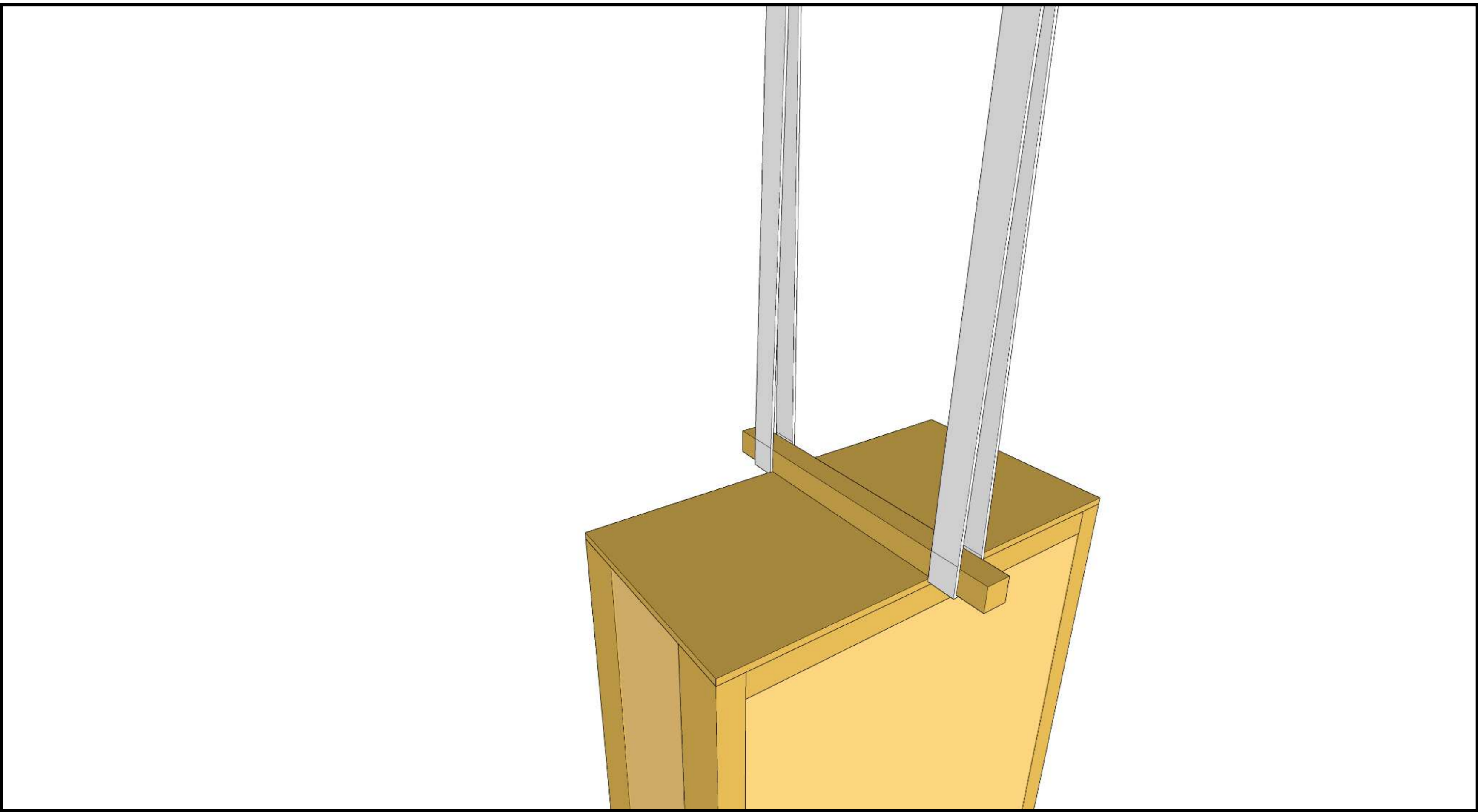
Different lifting strategies are possible: use a clamping tool.

02



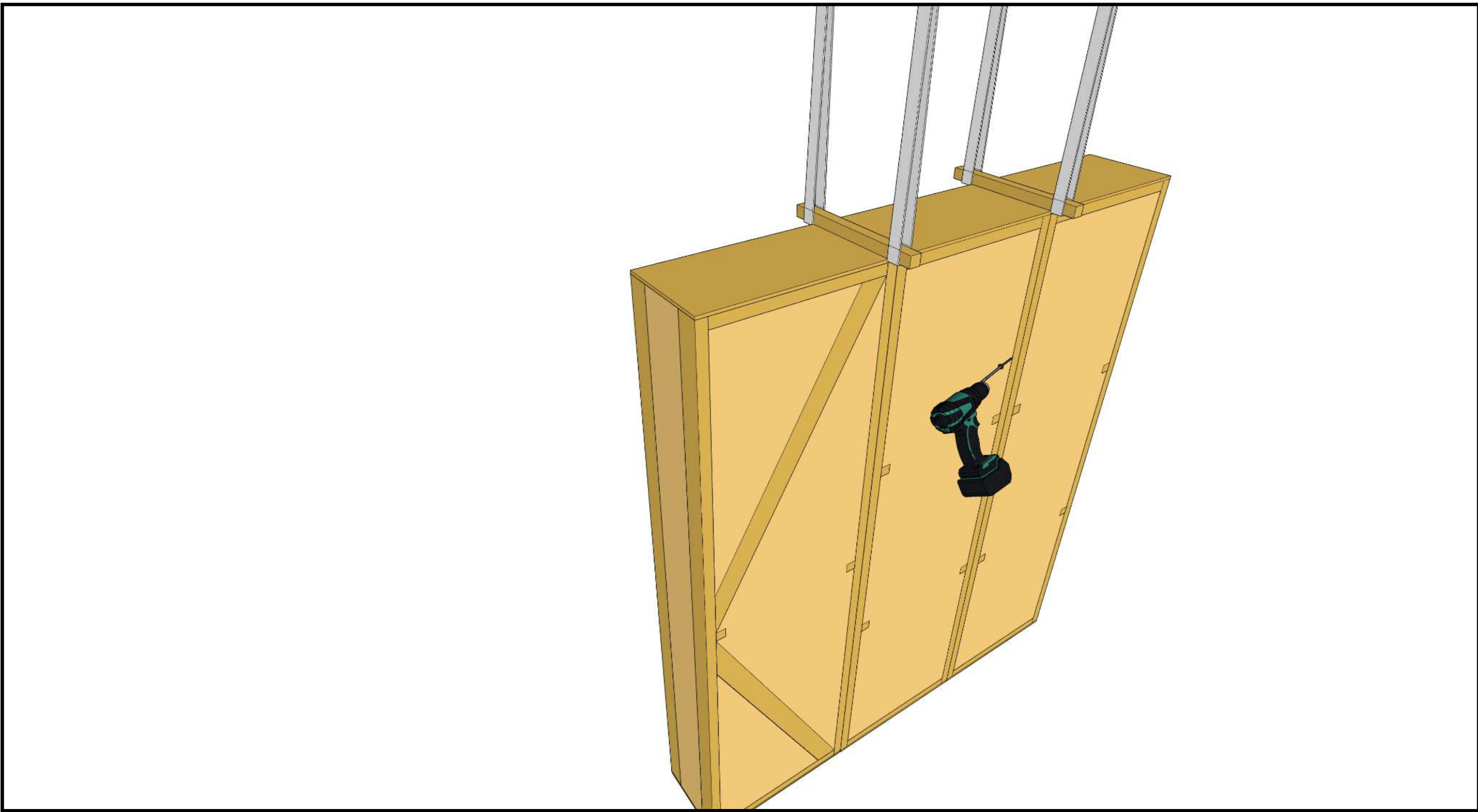
Temporarily fix anchors in two diagonal corners.

03



Screw a strong timber across in the middle.

04



It is possible to pre-assemble multiple panels before lifting them to a higher floor. Ensure the lift's capacity matches the weight.



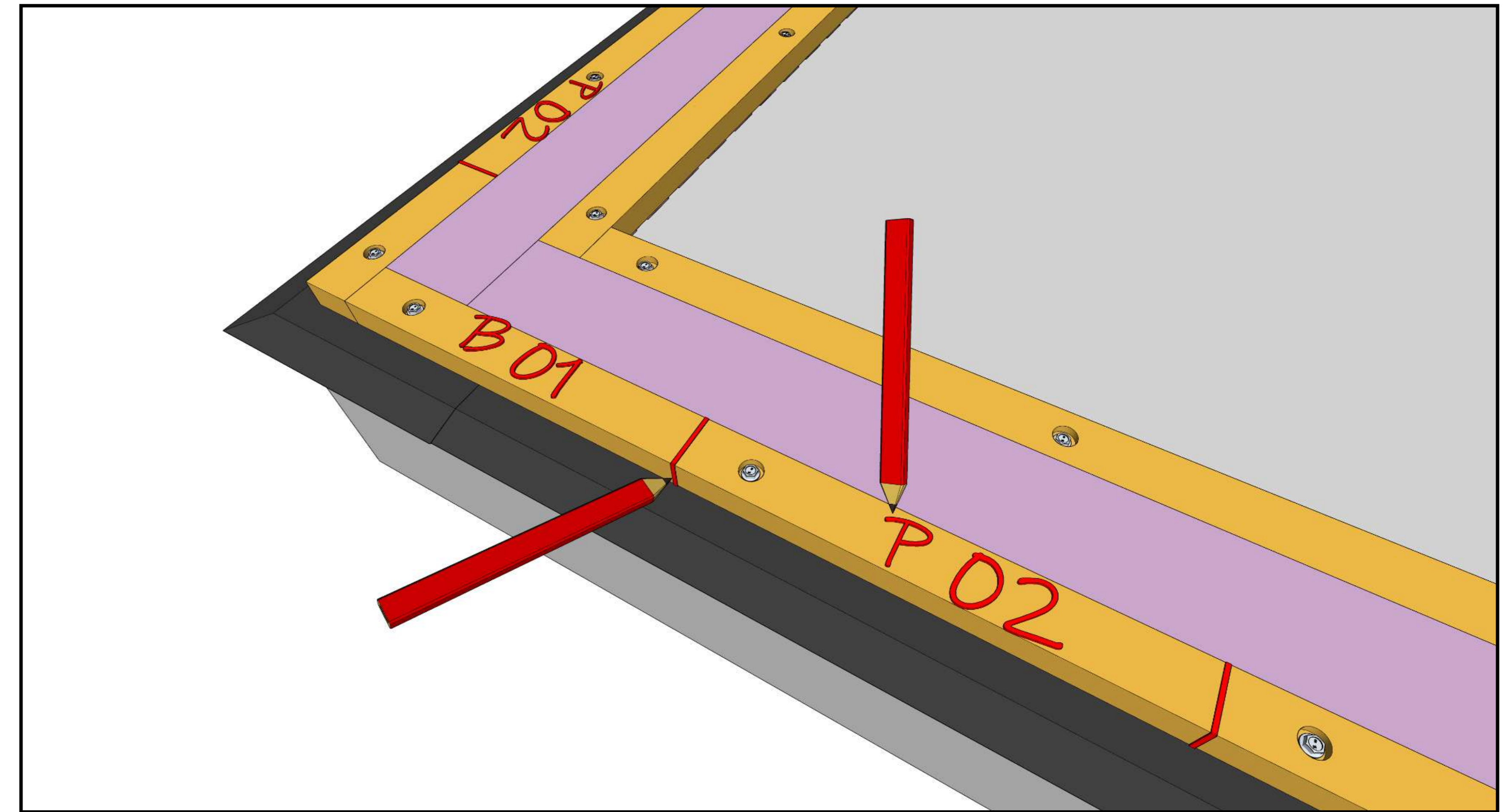
Panel Assembly

01



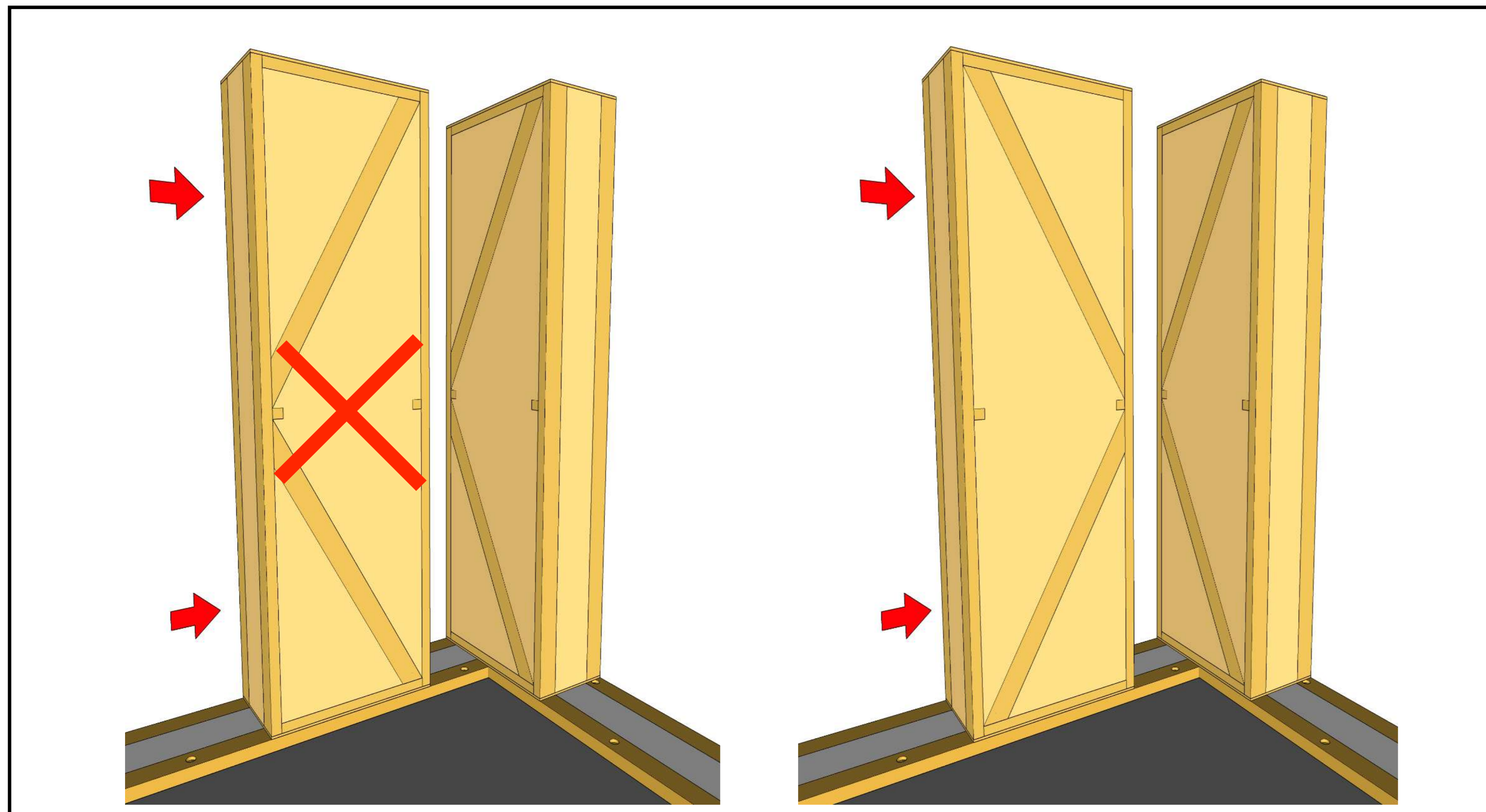
Use the Panel Project for assembly on site.

02



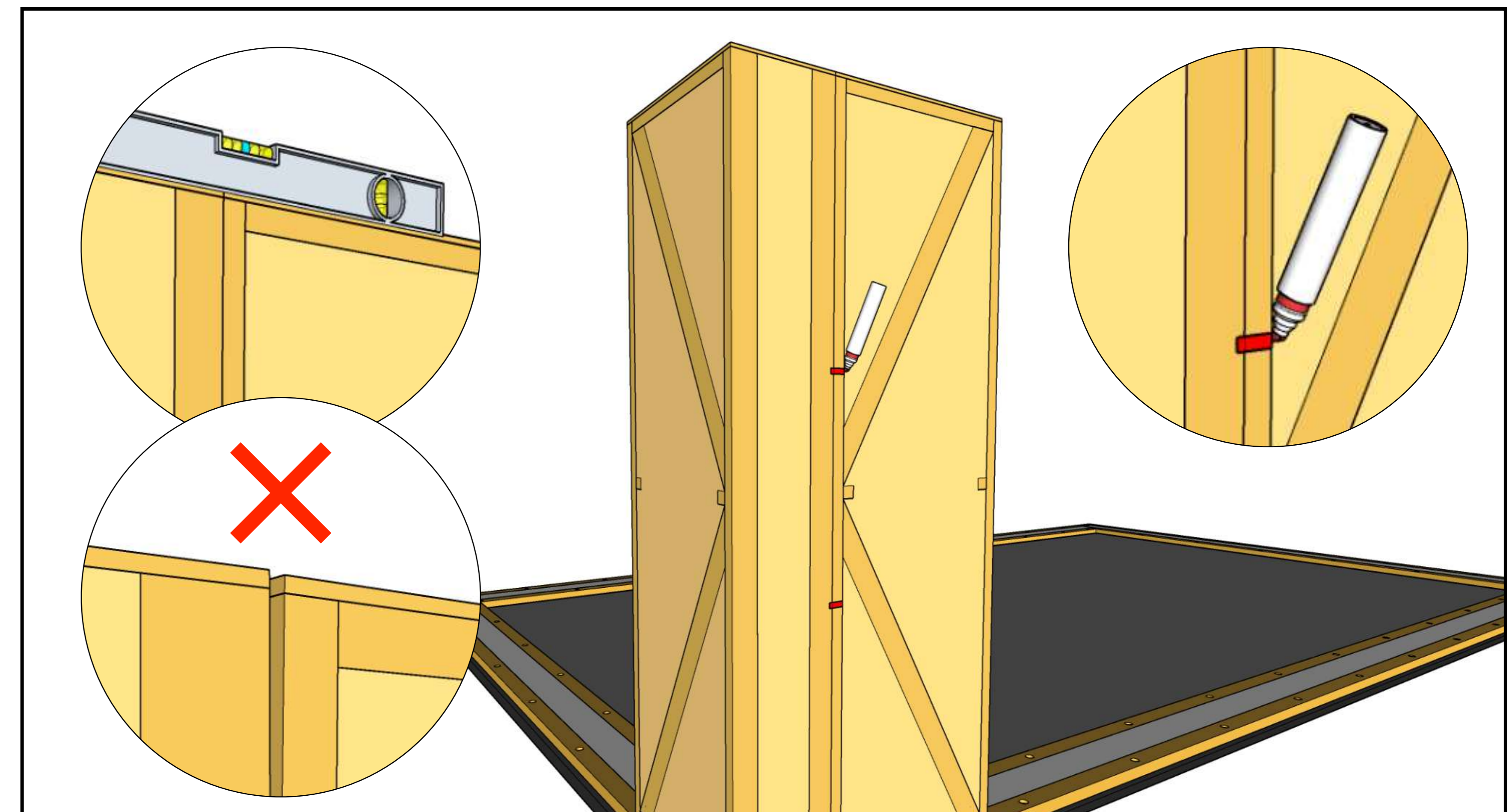
Mark the exact position of all panels on the base plate with the panel number.

03



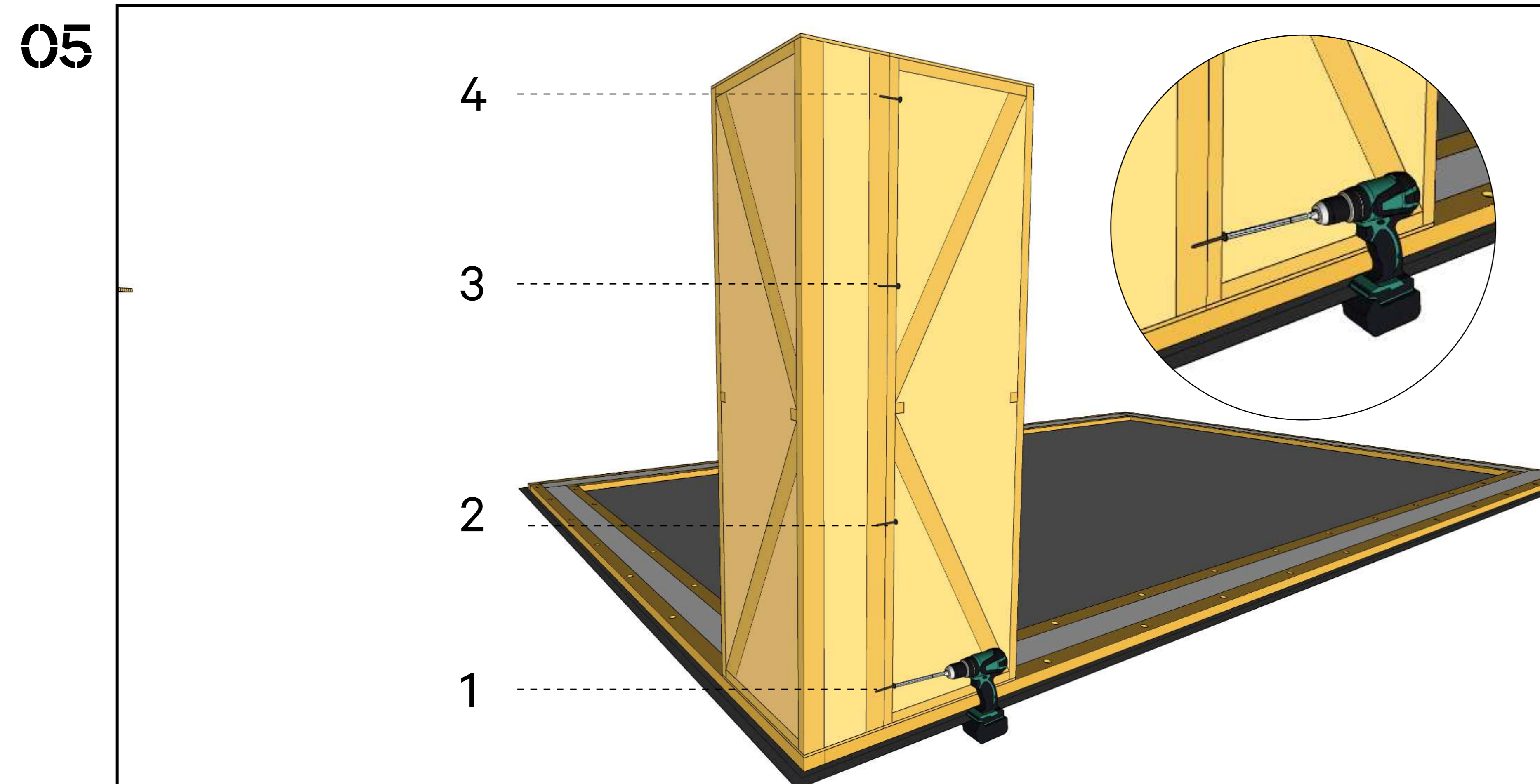
Start with two corner panels. Make sure the braced panels are placed in the correct orientation.

04



Mark the position of screws according to the scheme (p. 21). Check if the tops of the panels are level before screwing.

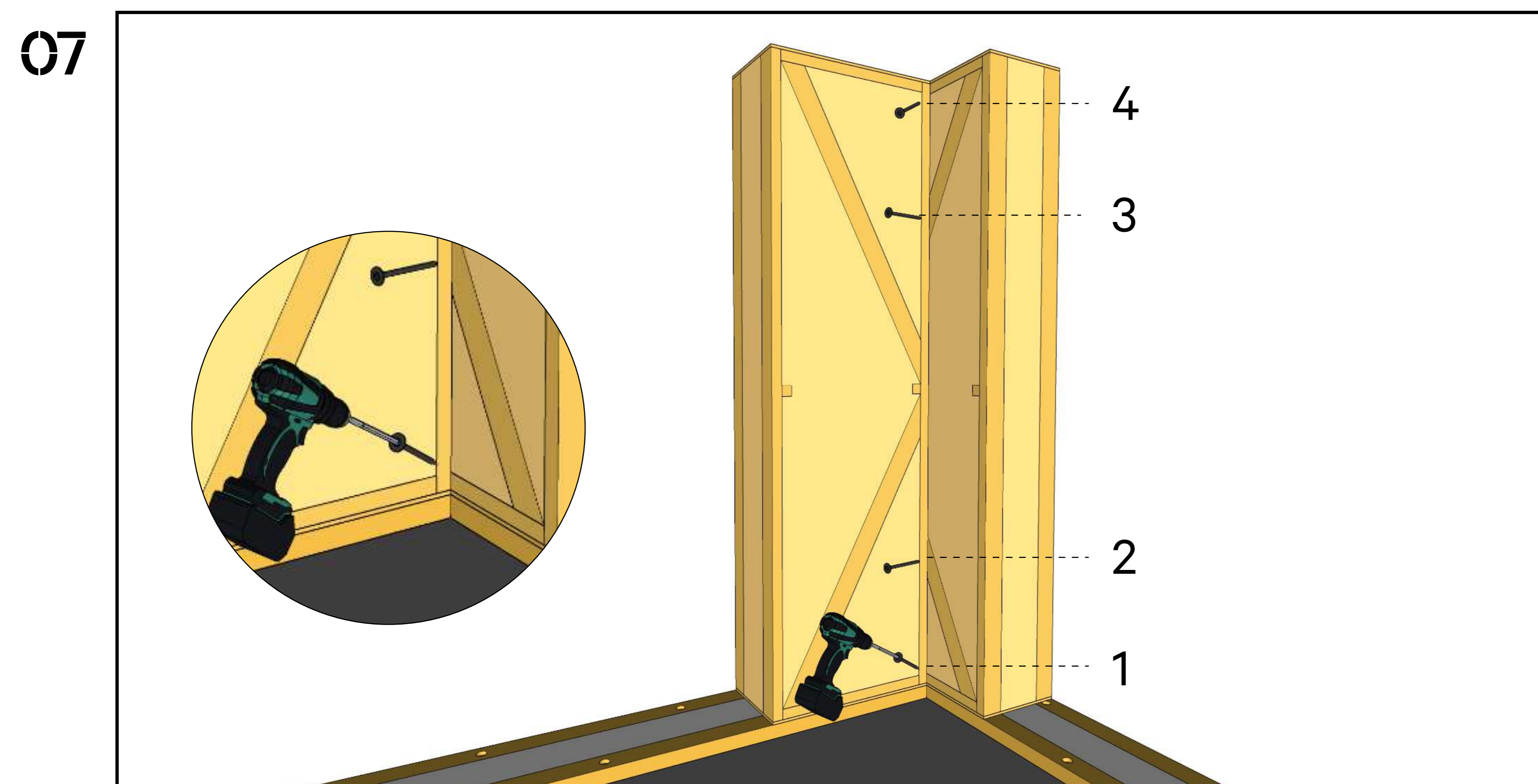




Screw panels together from the bottom up on the outside.



Do not screw to the base plate yet.

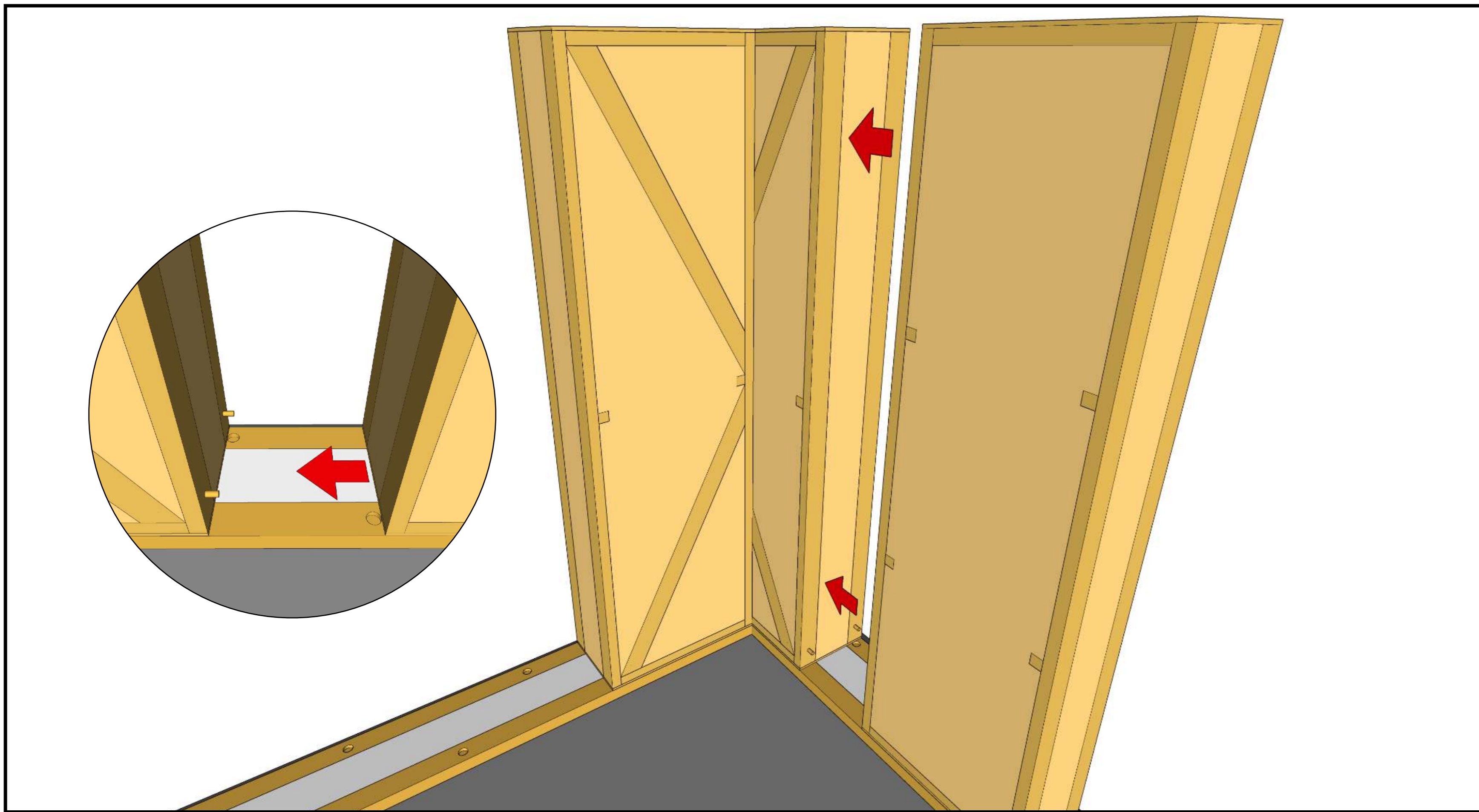


Do the same on the inside, but screw the inside corners diagonally. Do not screw to the base plate.



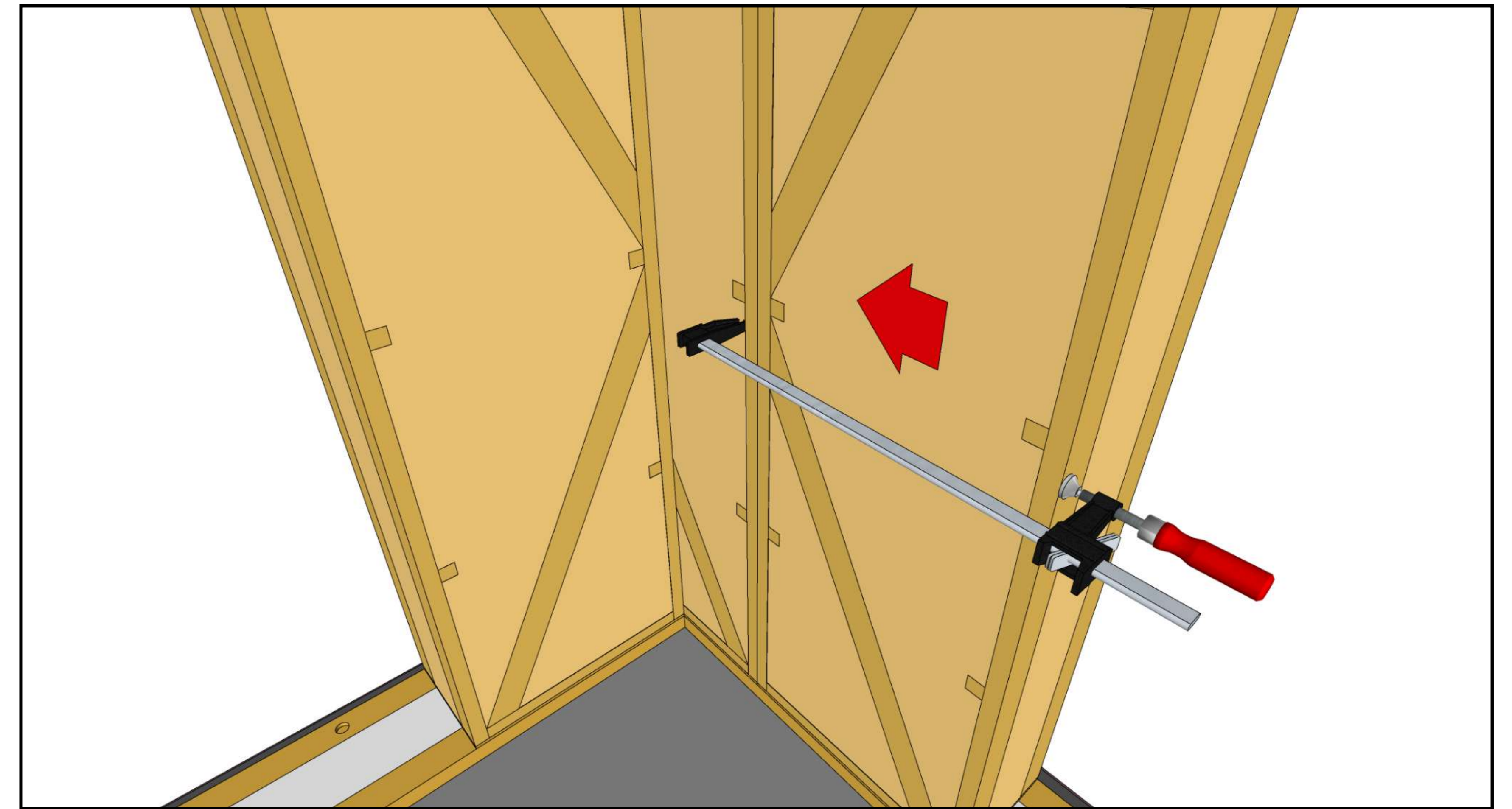
Insert the dowels into the holes to ensure exact connection.

09



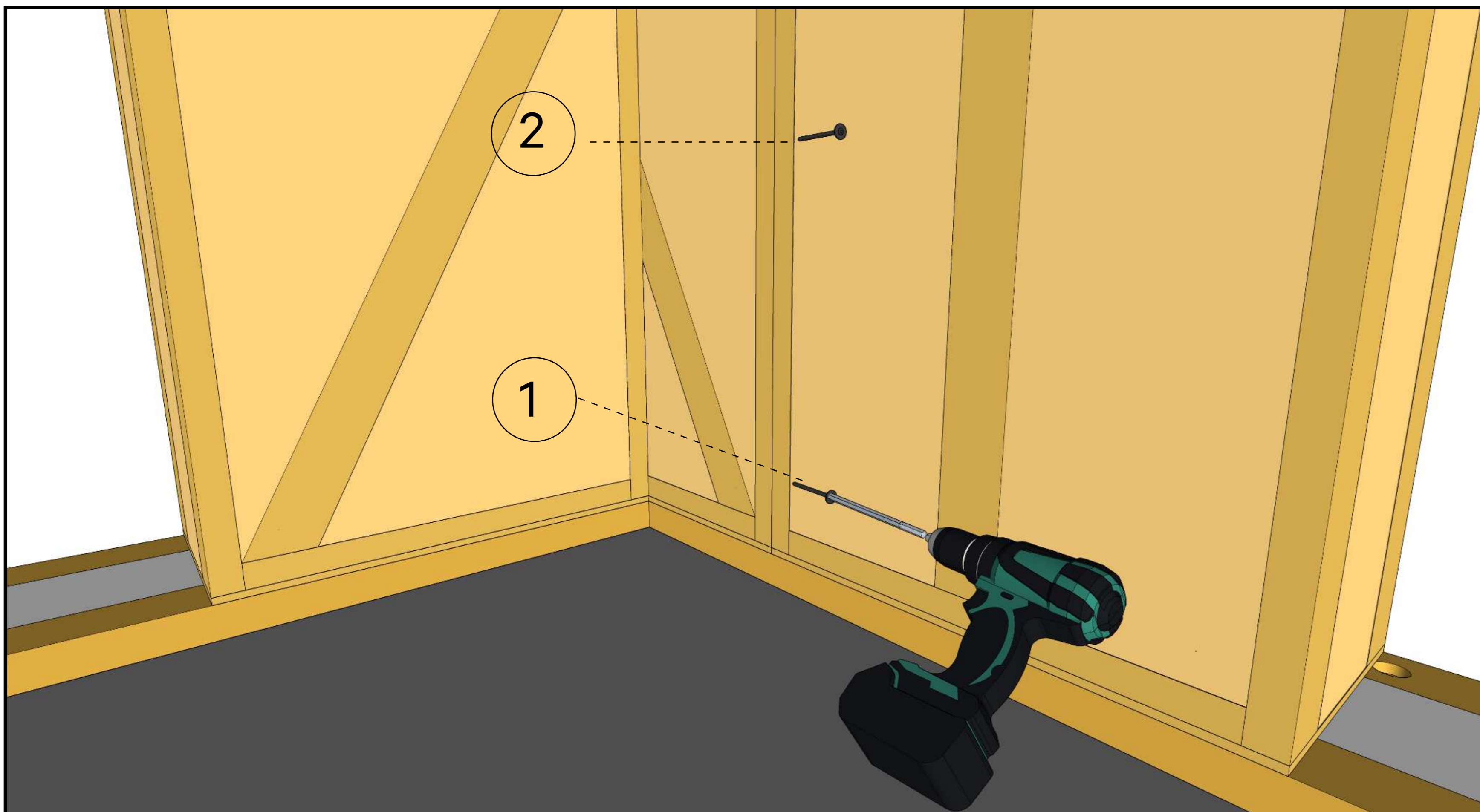
Push the next panel onto the corner panel.

10



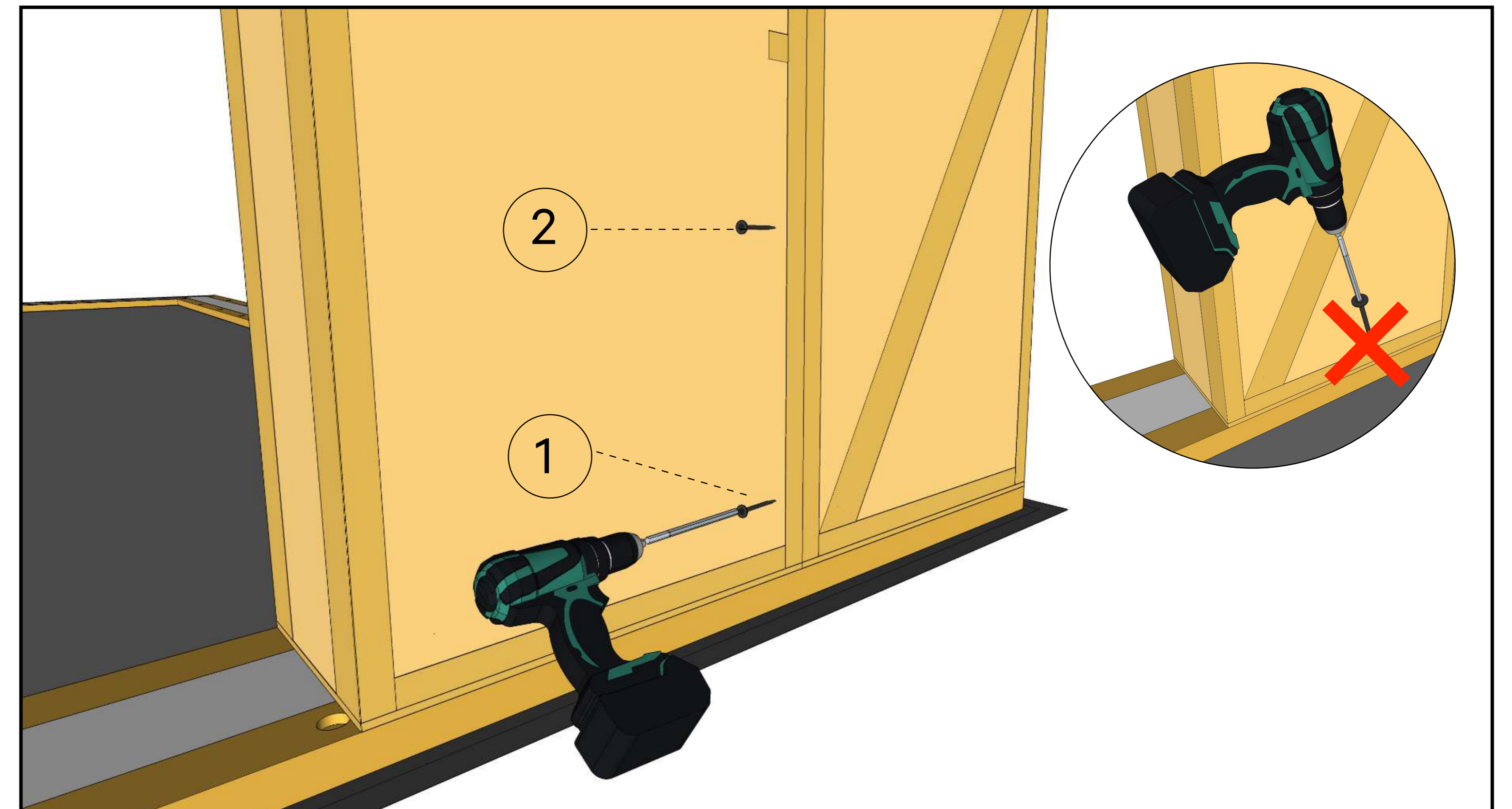
If necessary, use clamps to compress panels together.

11



Again screw the panels together from the bottom up on the inside.

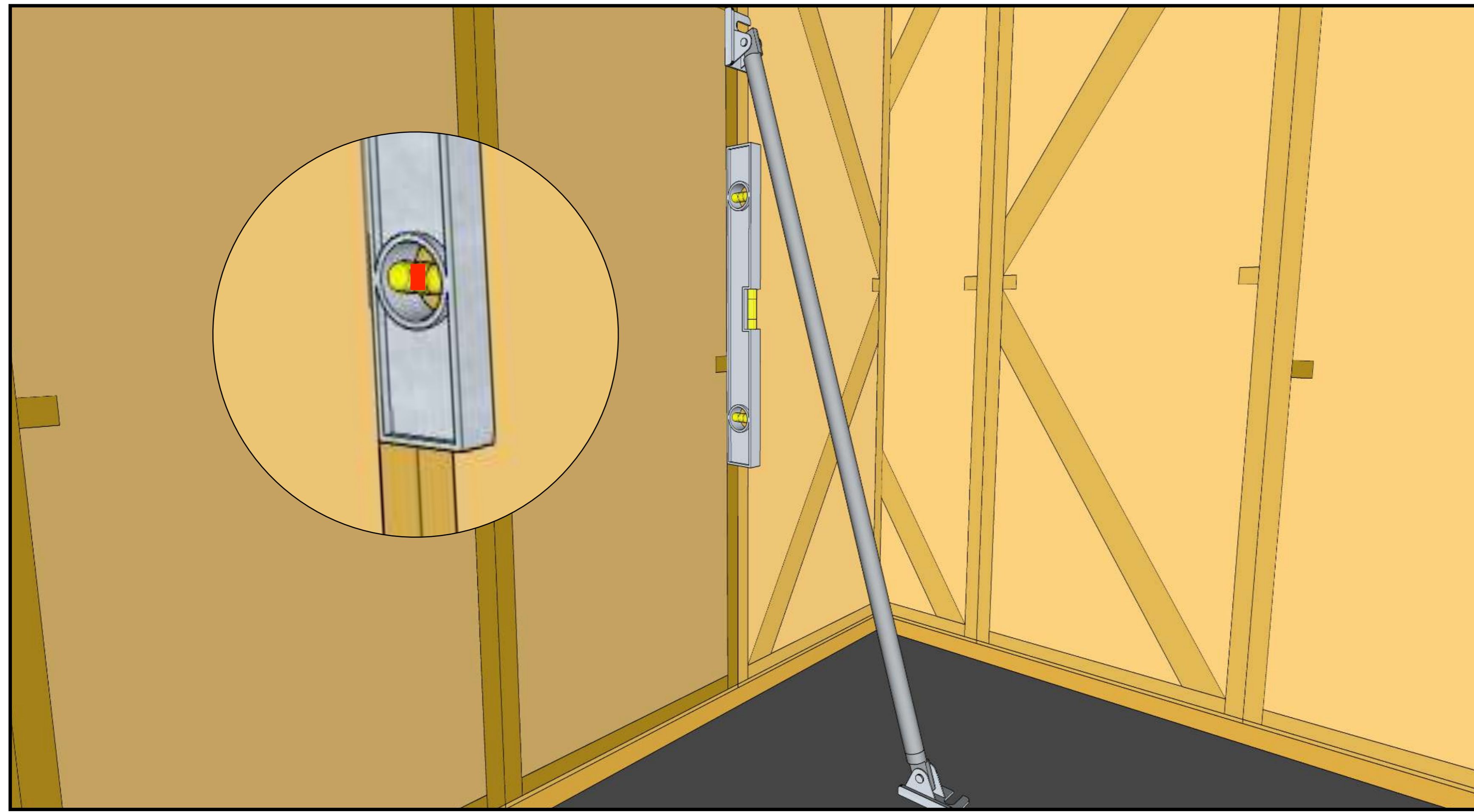
12



Do the same on the outside. Do not screw to the base plate yet.

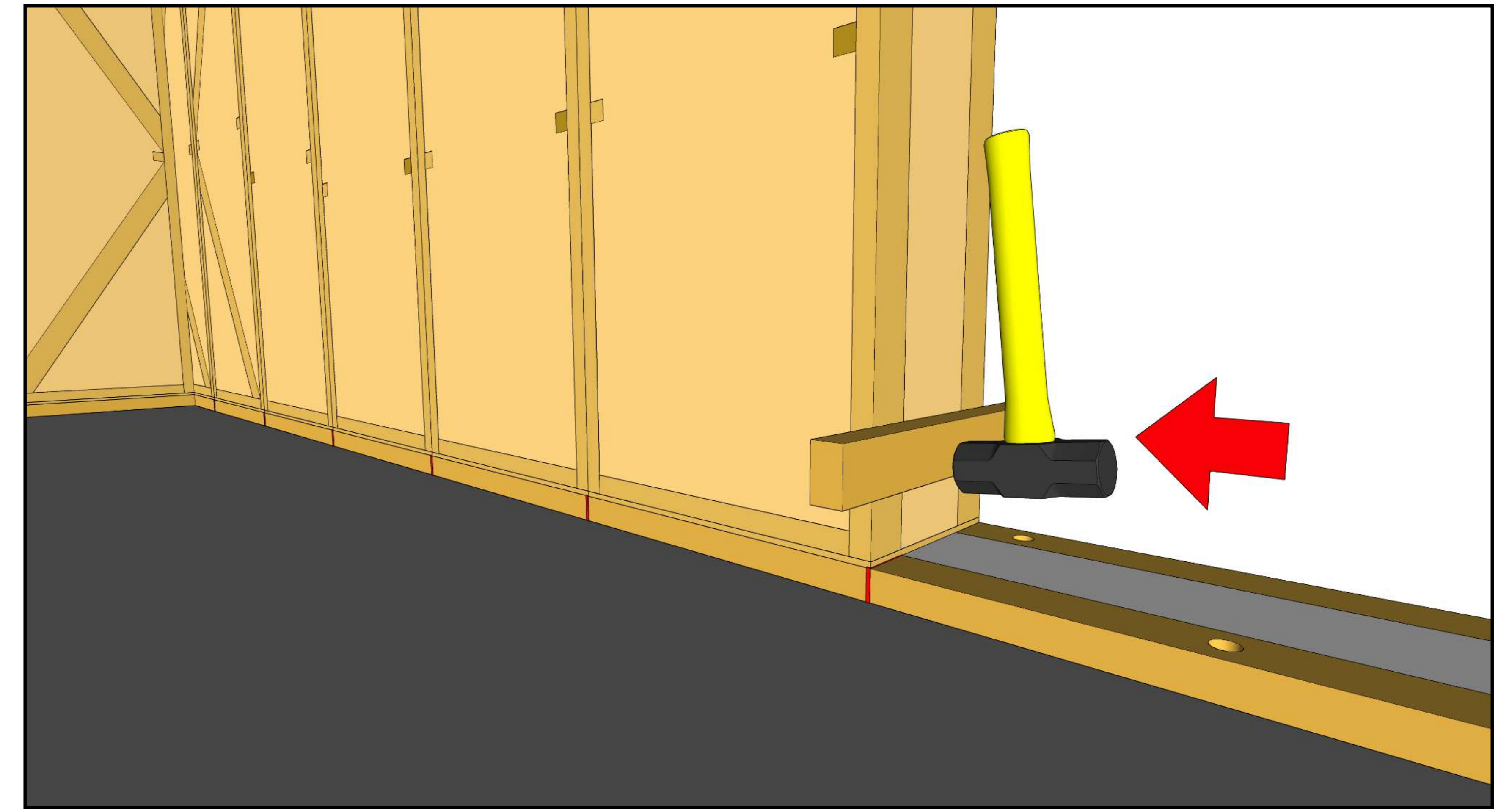


13



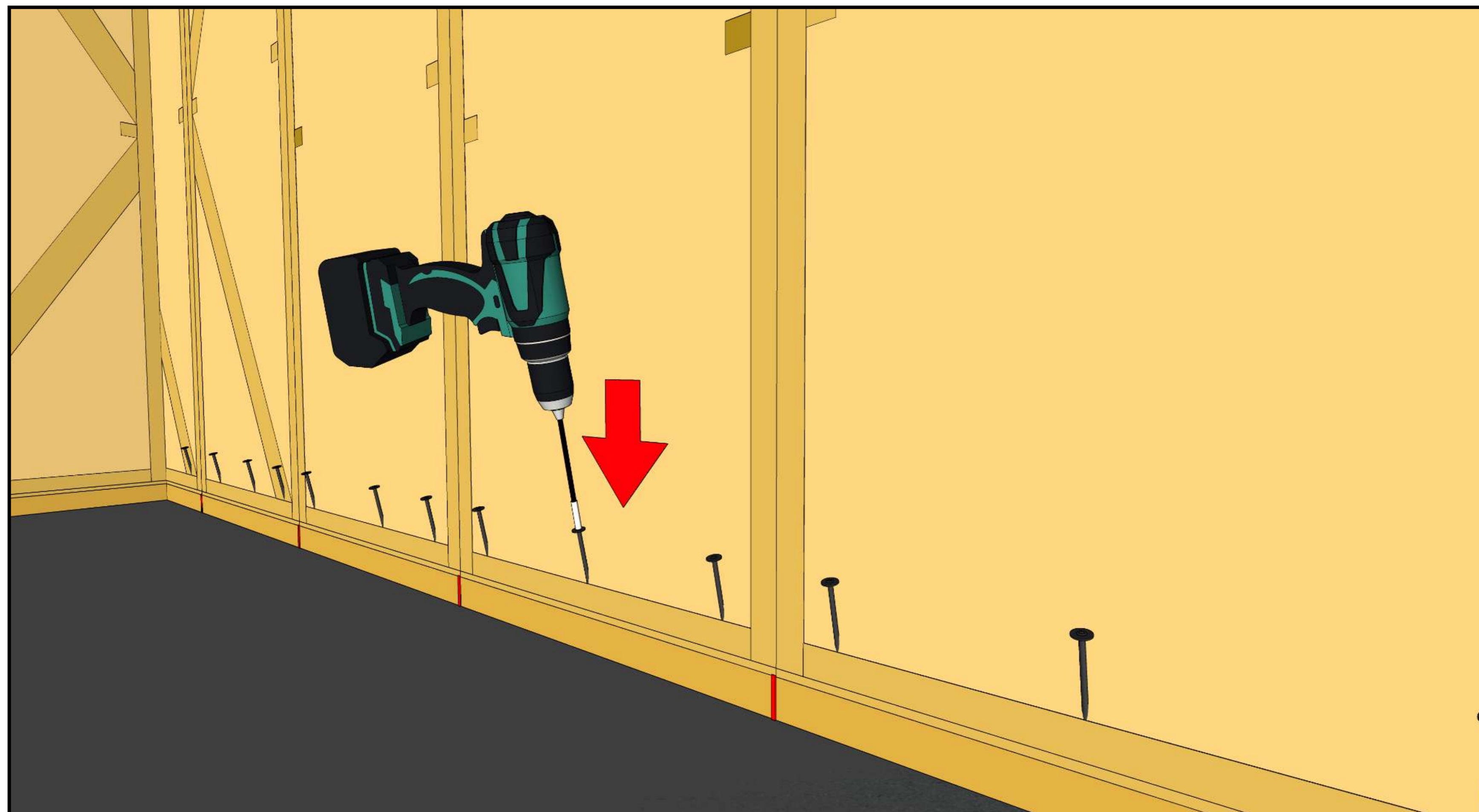
Use temporary bracing for every third panel to ensure stability of the wall.

14



After assembling a wall section, check its position. Use a ratchet strap or lump hammer to adjust if needed.

15

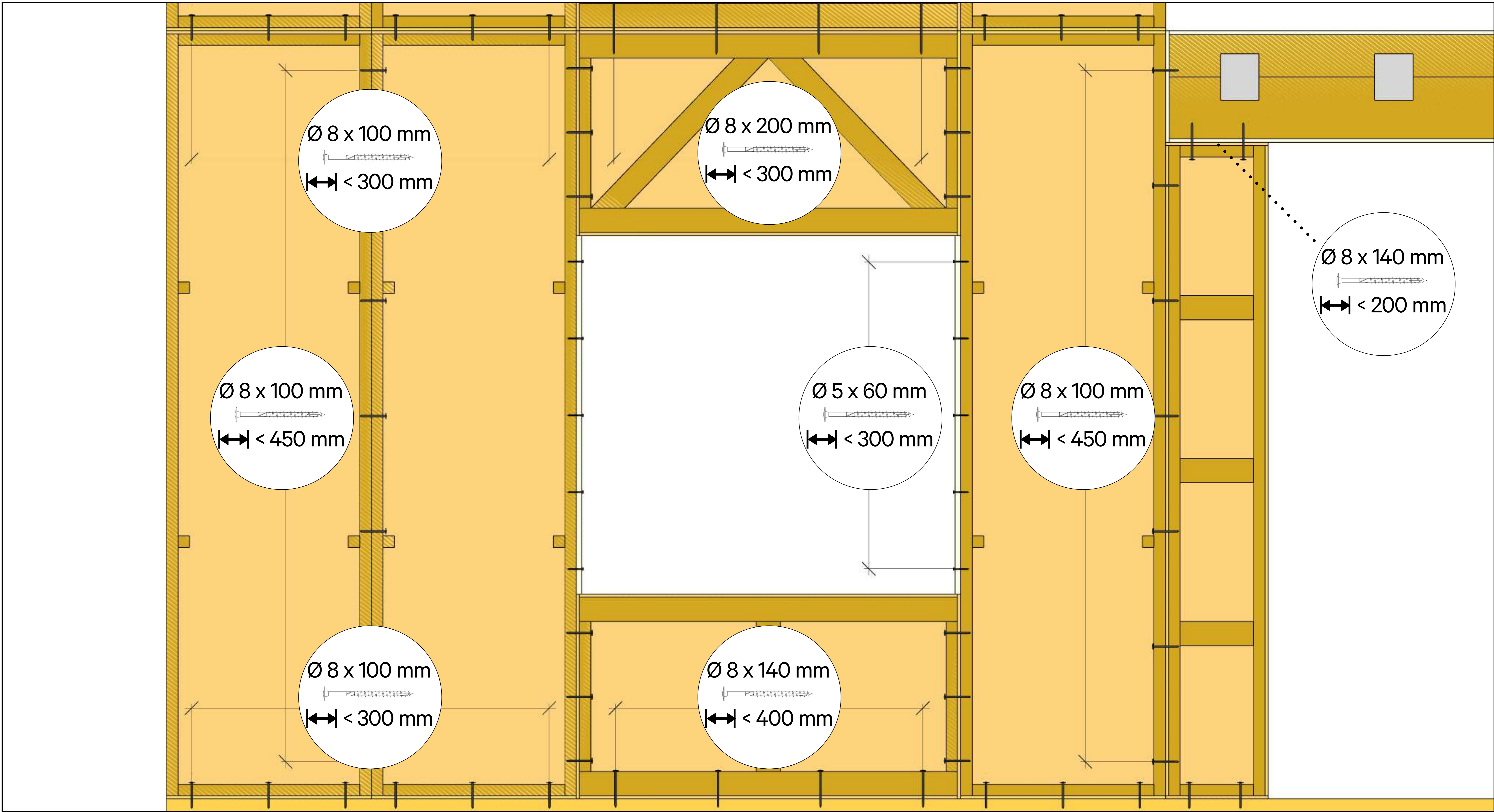


Only screw the wall to the inner and outer side of the base plate after mounting lintels and sills.



Scheme of Screws for Connecting the Panels

01

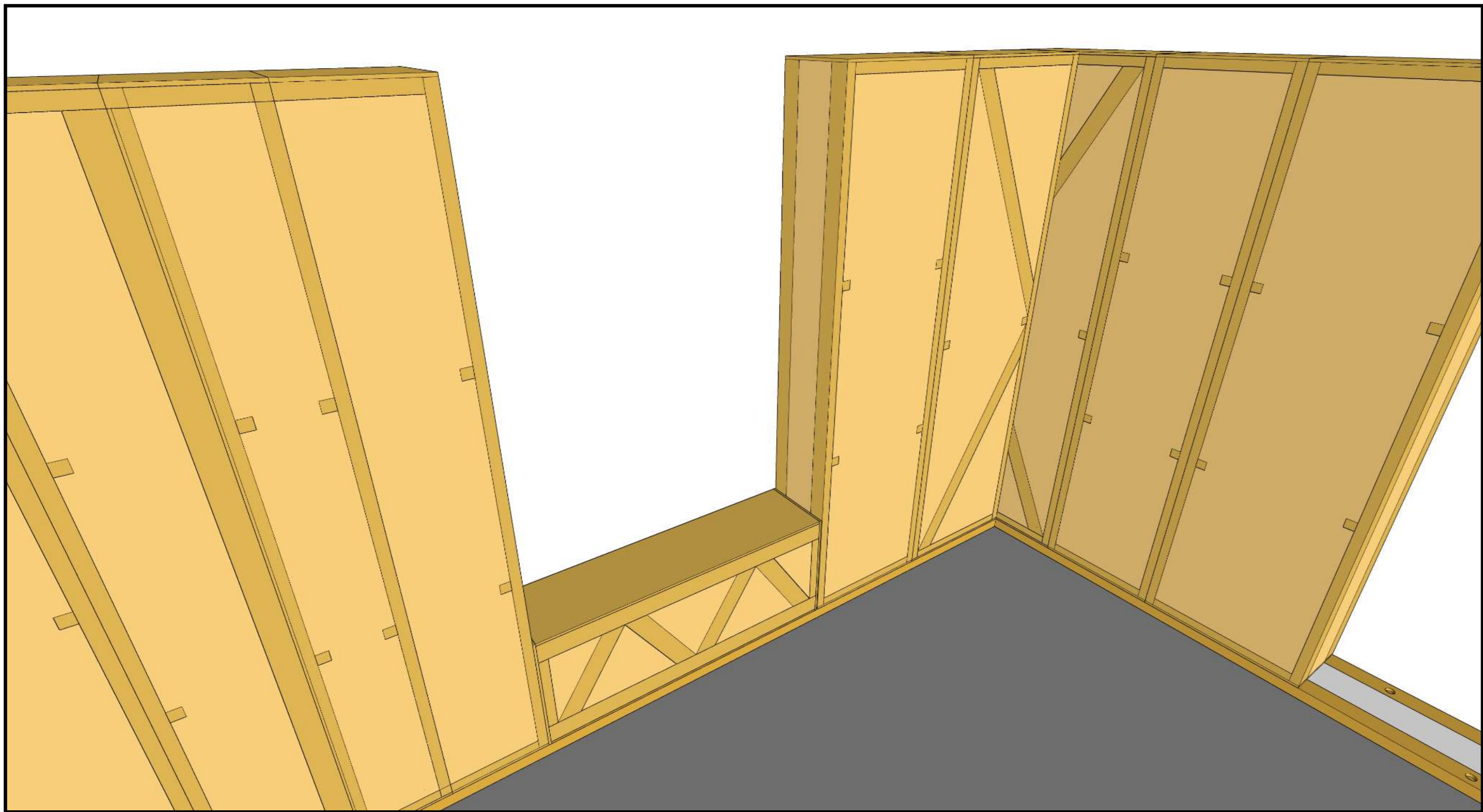


Scheme of screws for connecting different panel types (inside & outside).
Use a flange button head screw to tie the panels together.



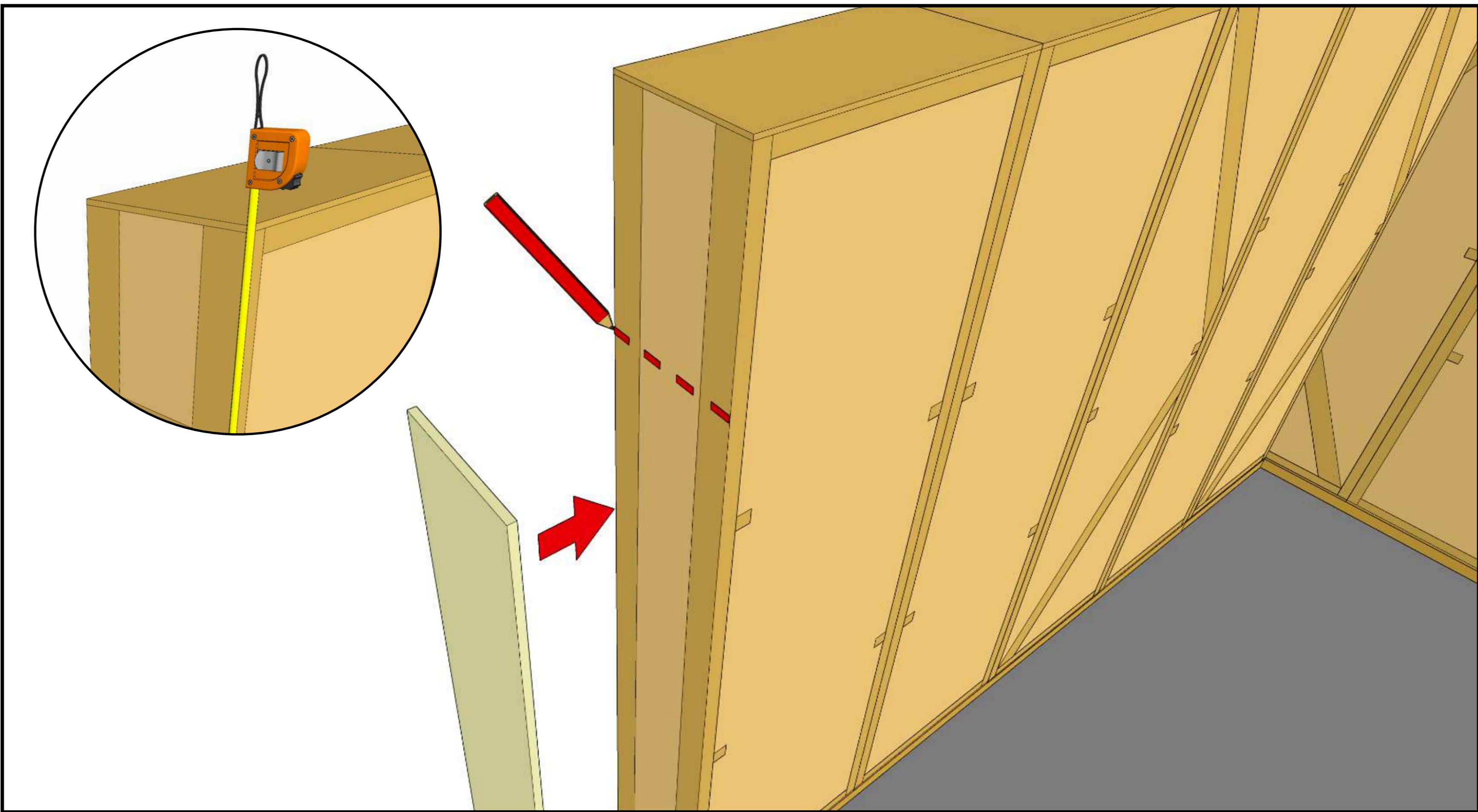
Lintel Assembly

01



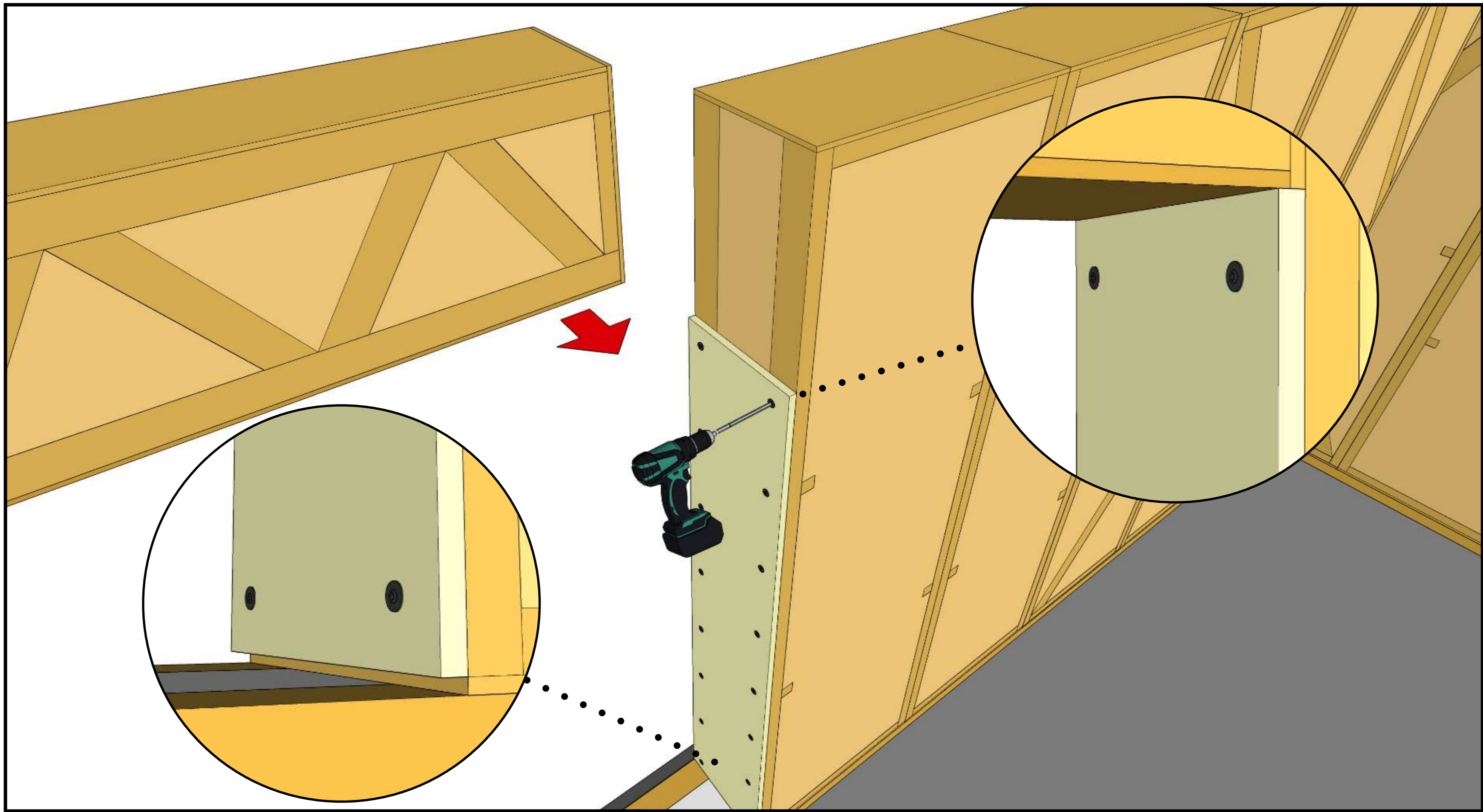
Place the lintel on the base plate in order to ensure the correct spacing between panels.

02



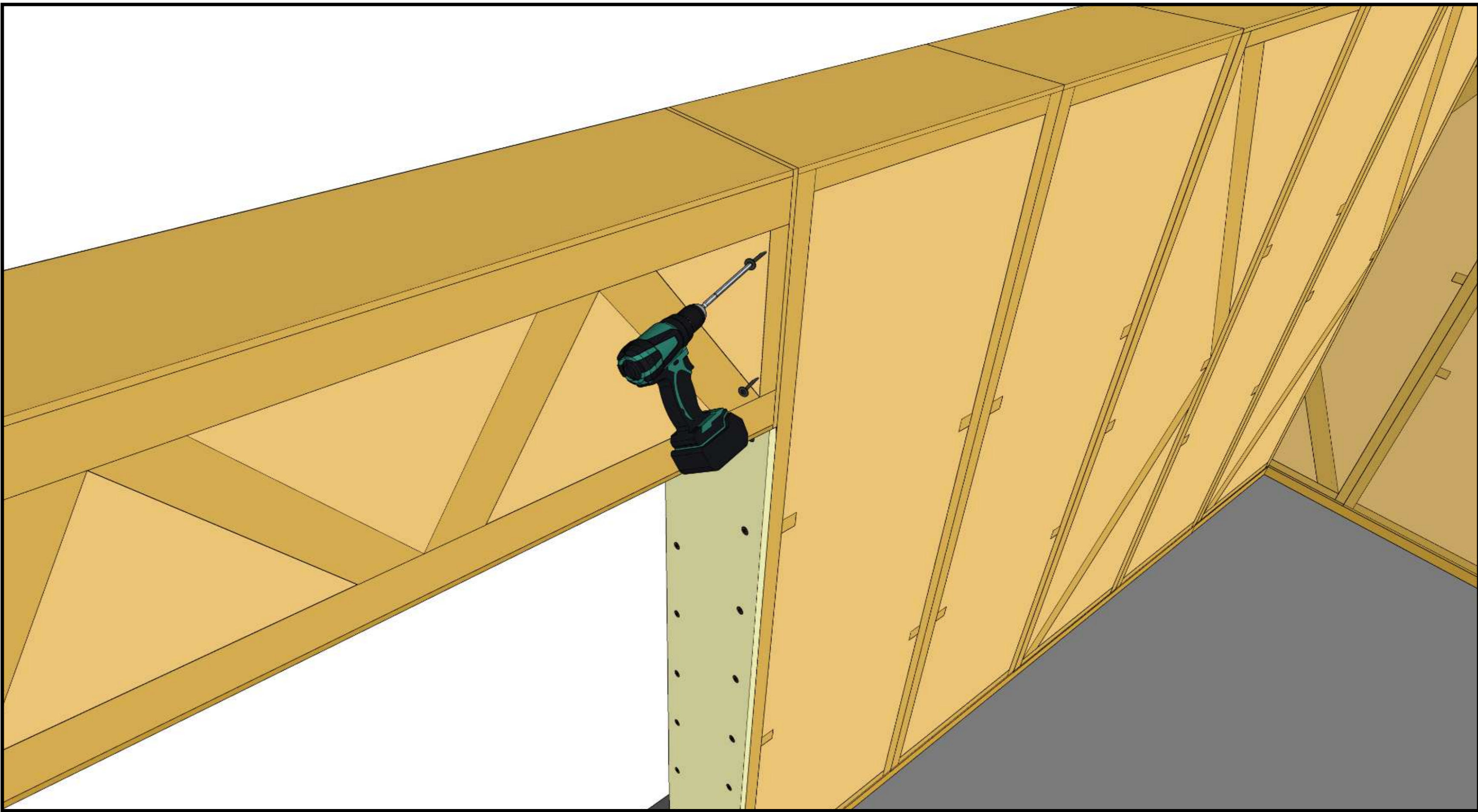
Measure and mark the lintel position.

03



Fix the plywood boards for the window reveal tight to the lintel. Leave a small (2 mm) gap at the bottom.

04

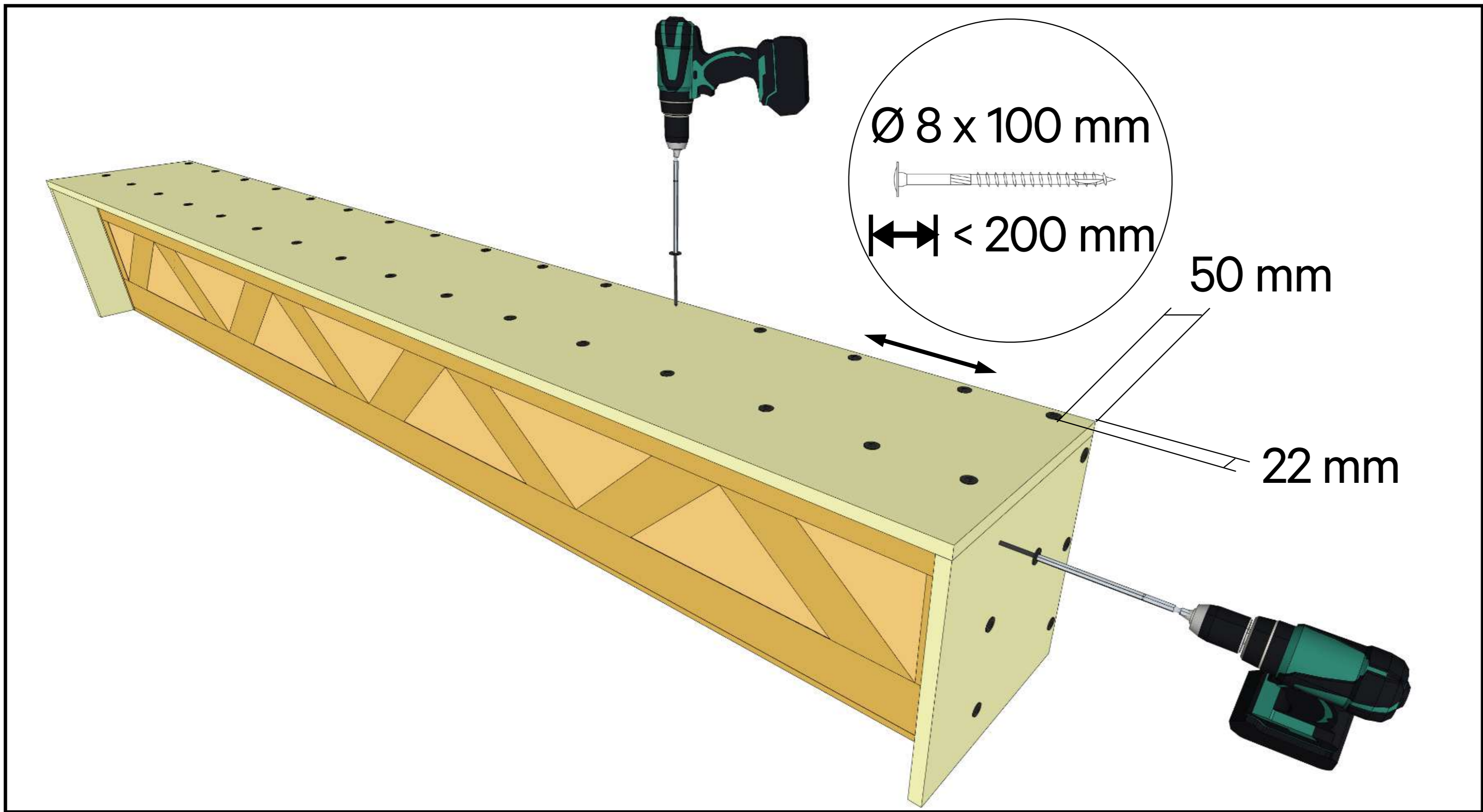


Screw the lintel to the wall.



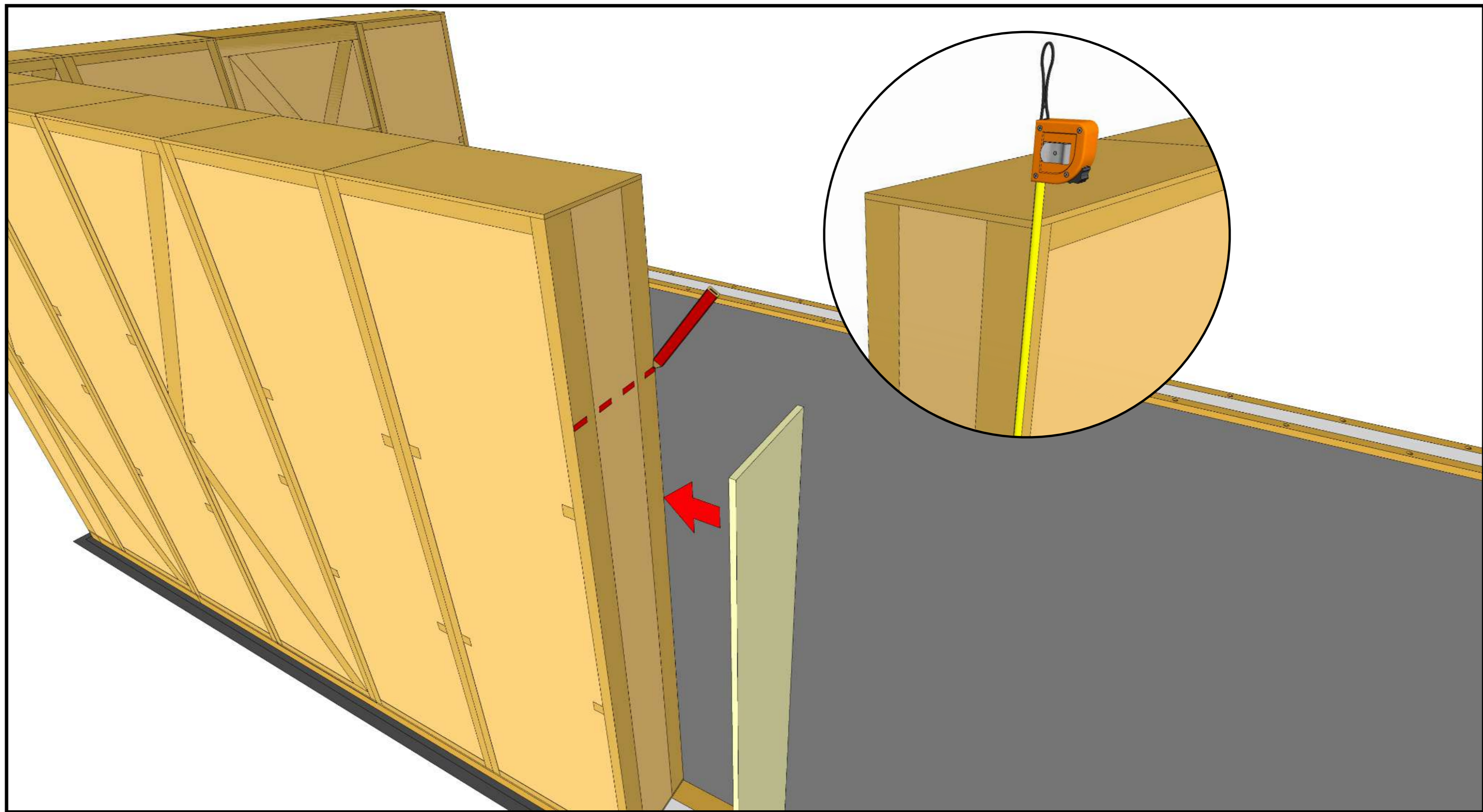
Narrow Lintel Assembly

01



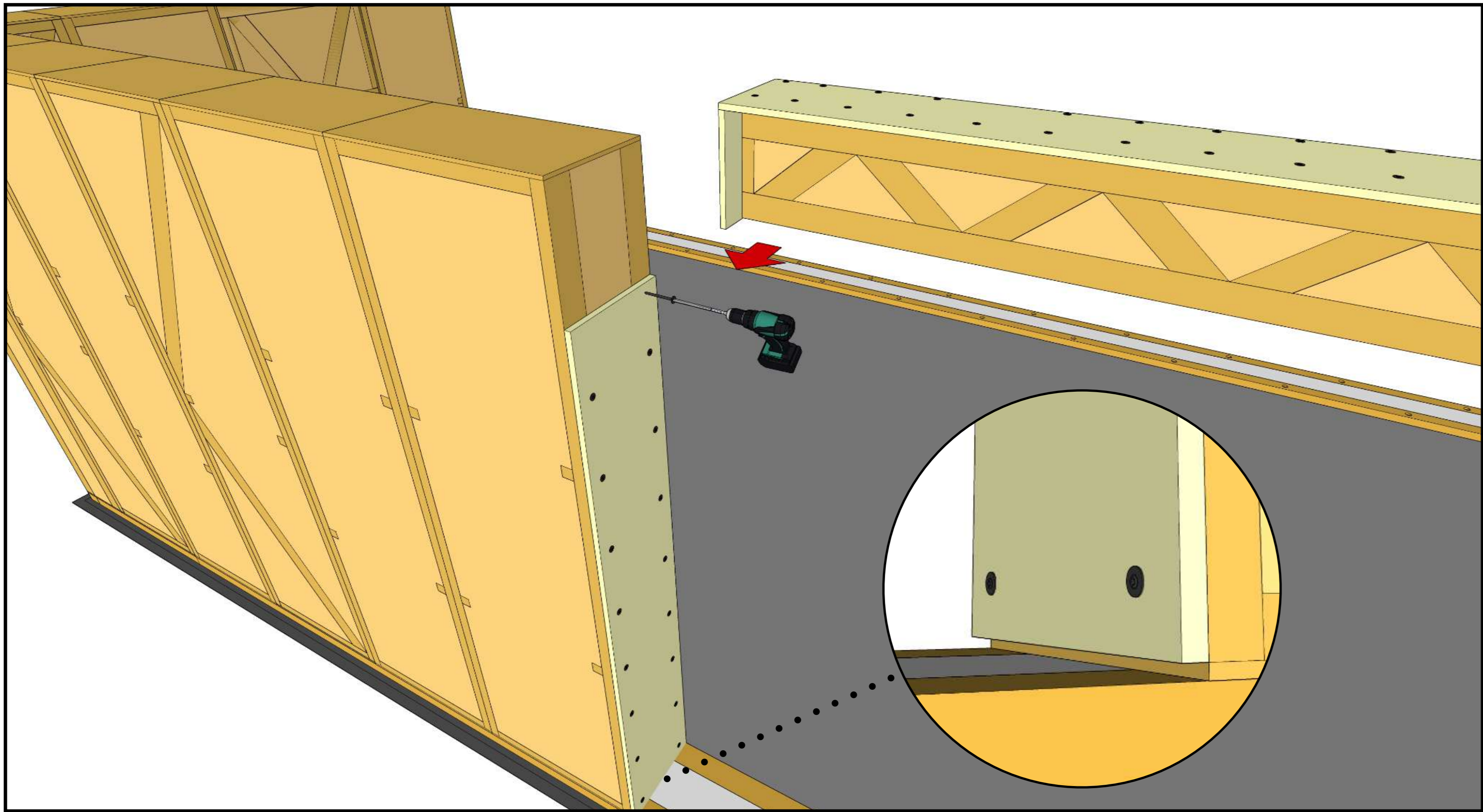
Fix the extra plywood on the sides and on the top of the lintel.

02



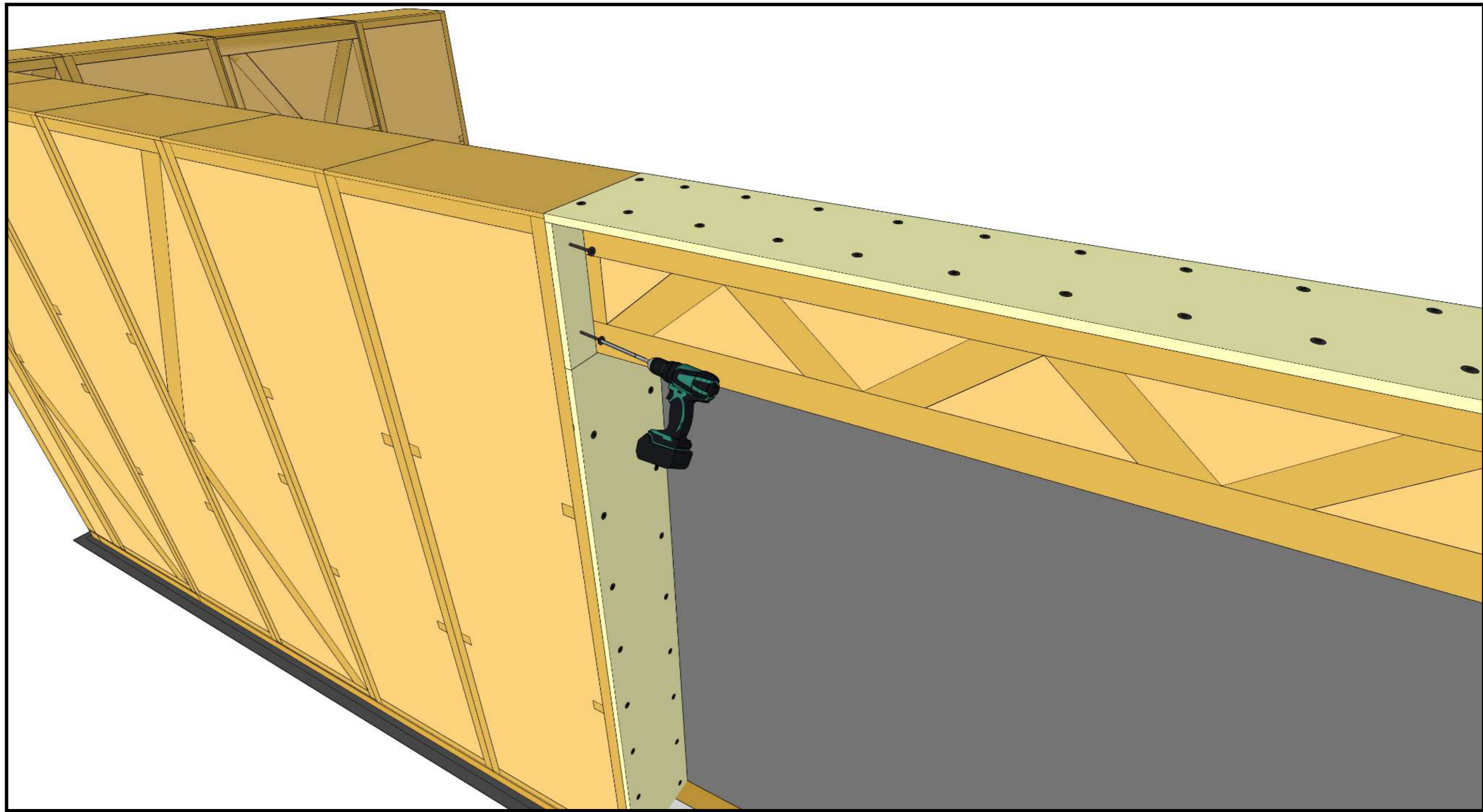
Measure and mark the lintel position.

03



Fix the plywood boards for the window reveal tight to the lintel. Leave a small (2 mm) gap at the bottom.

04

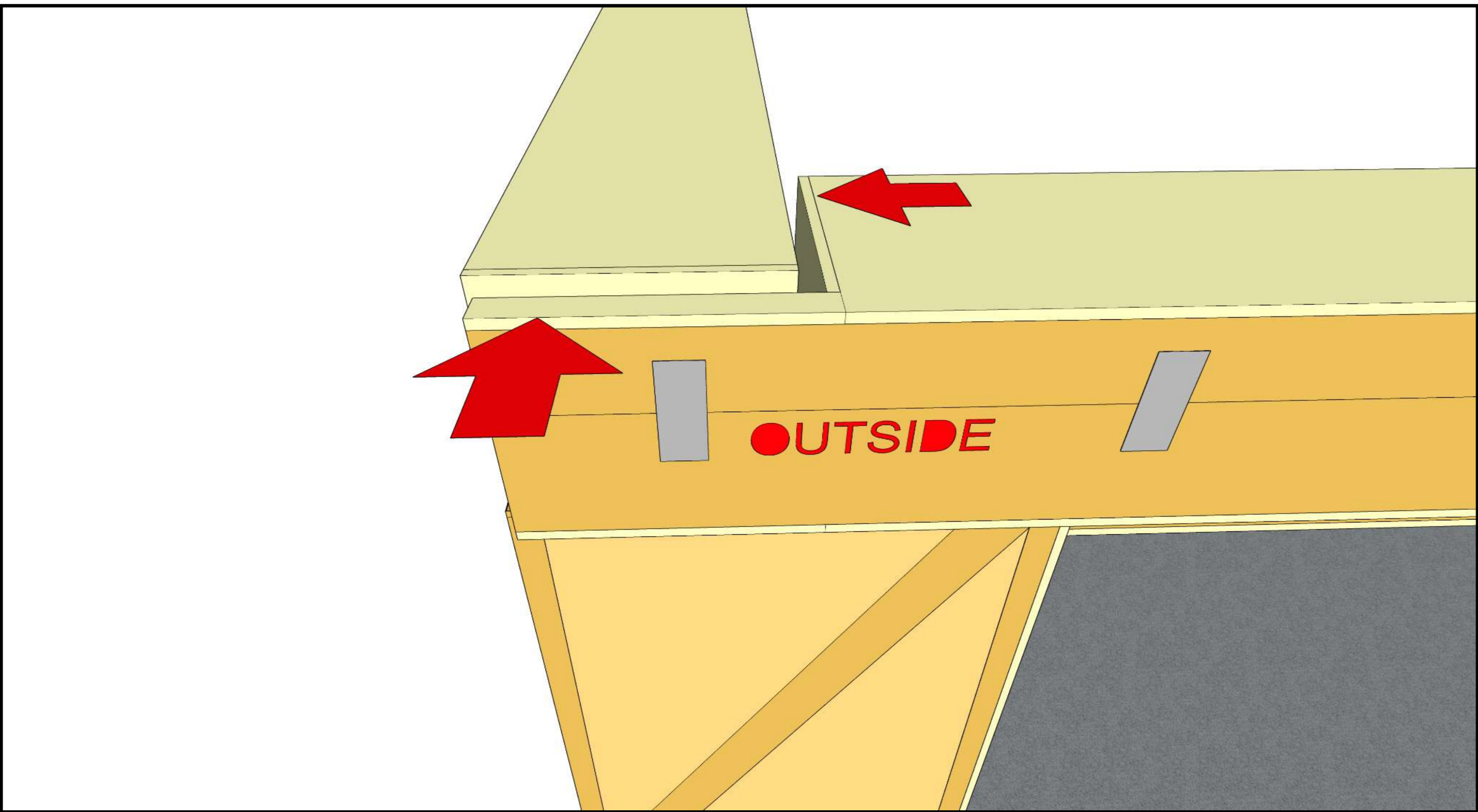


Lift the lintel into position and screw to the wall. On the exterior side screw through the plywood.



Box Element Installation

01



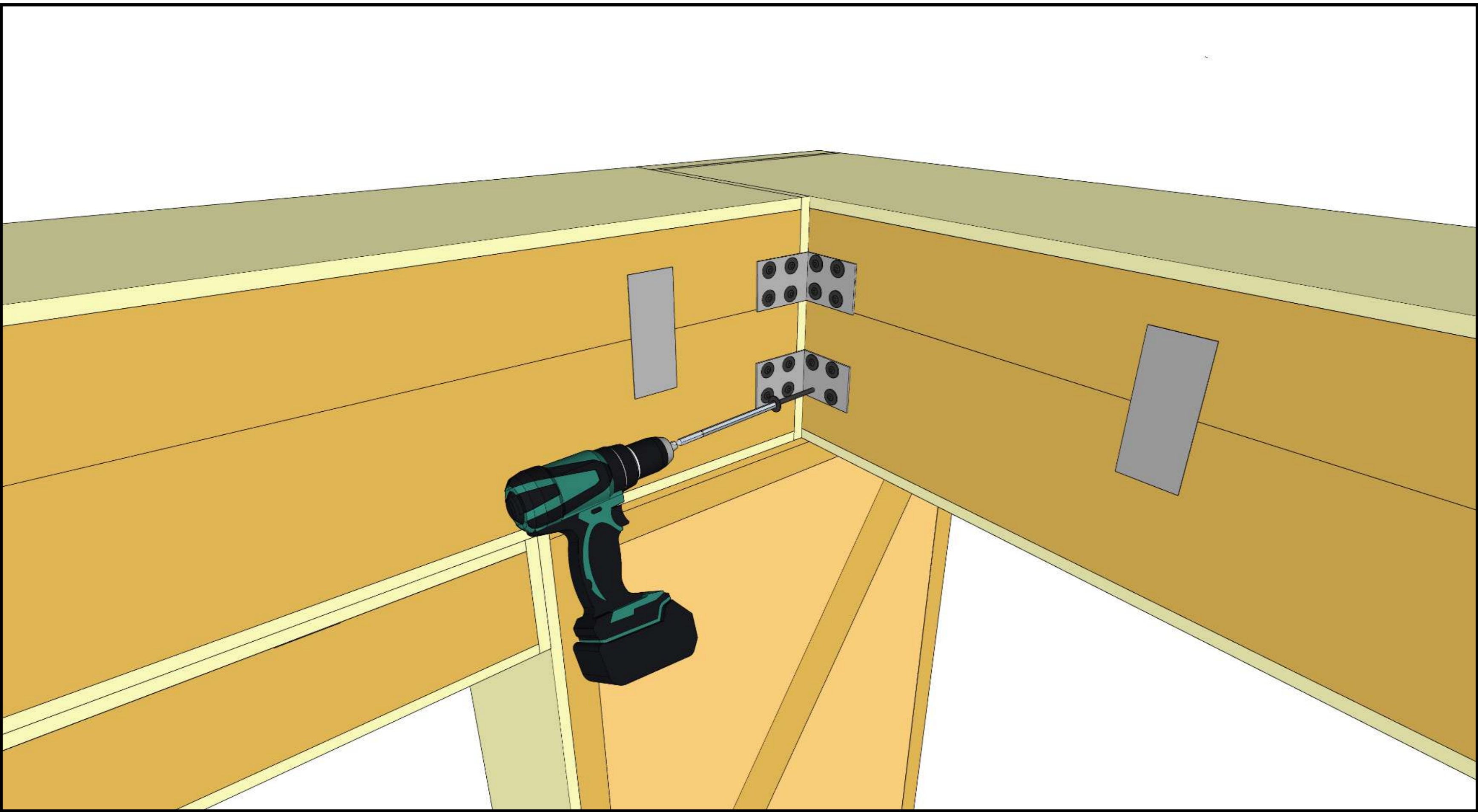
Place Box elements with stamp on the outside. If Box elements meet on the corner, they are pre-prepared to interlock.

02



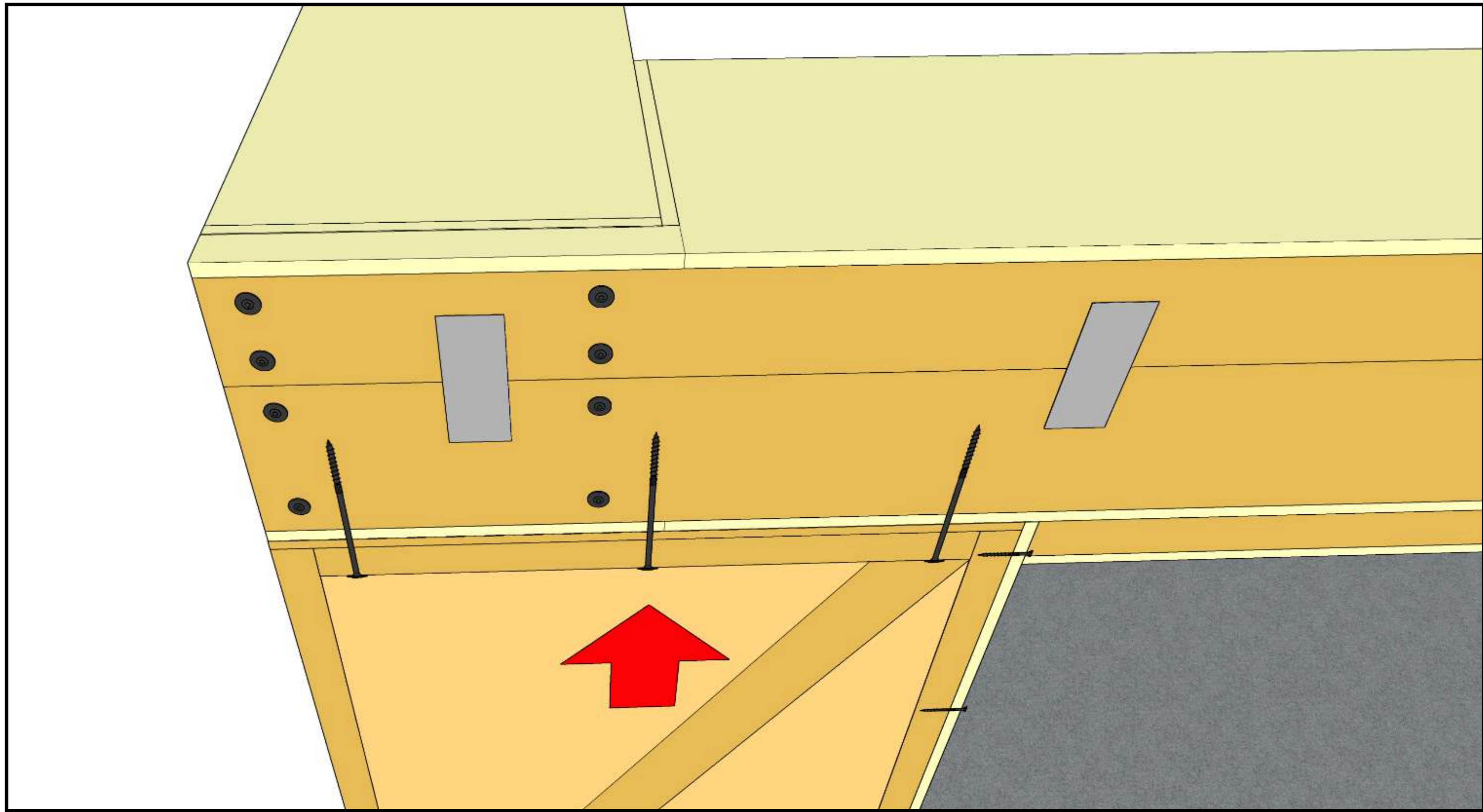
Screw the extended plywood piece of one Box element to the side of the other.

03



Use angle brackets on the inside.

04



Fix the Box element to the panels by screwing through the panel to the Box element above.



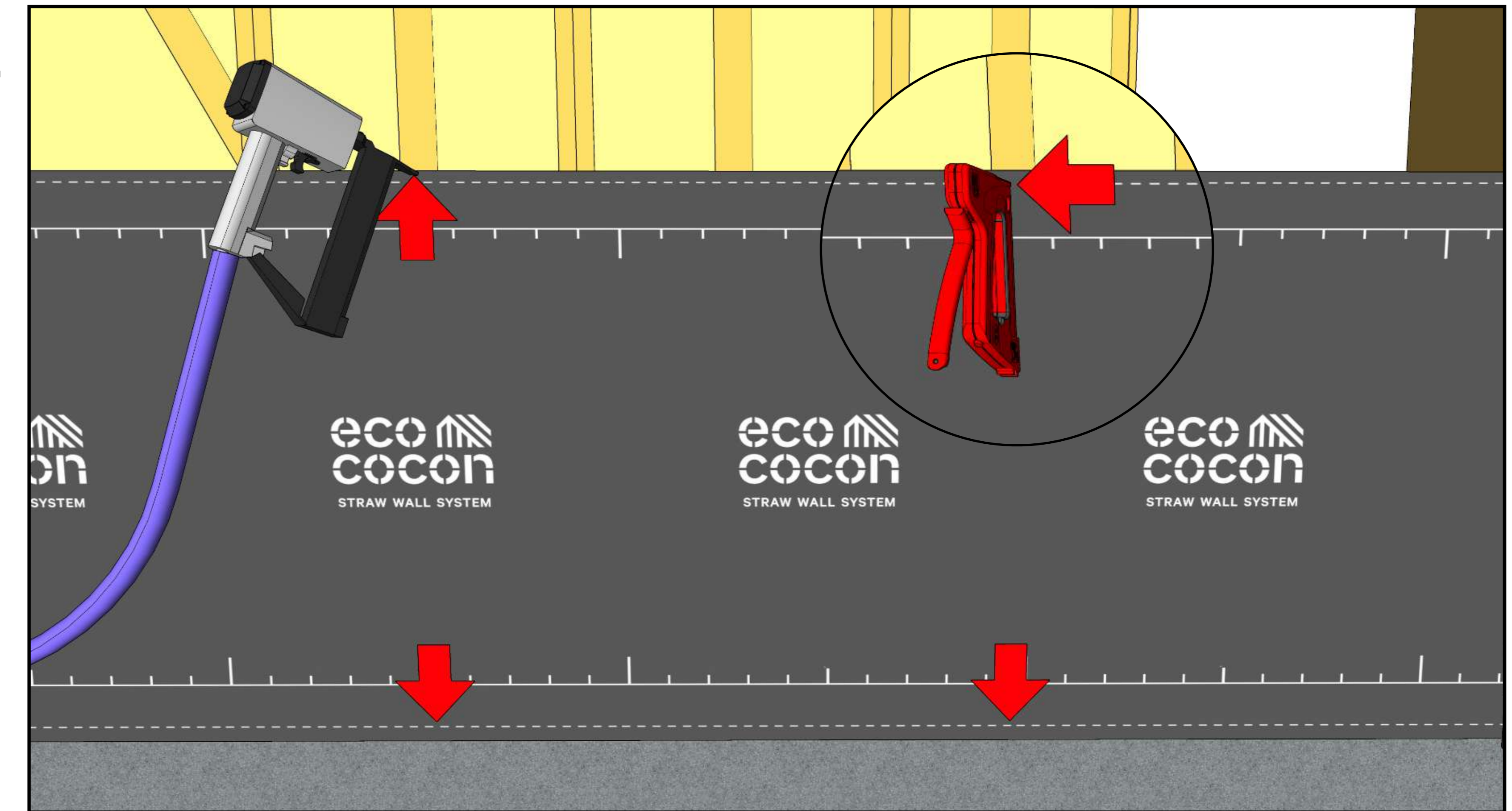
Airtight Membrane Installation

01



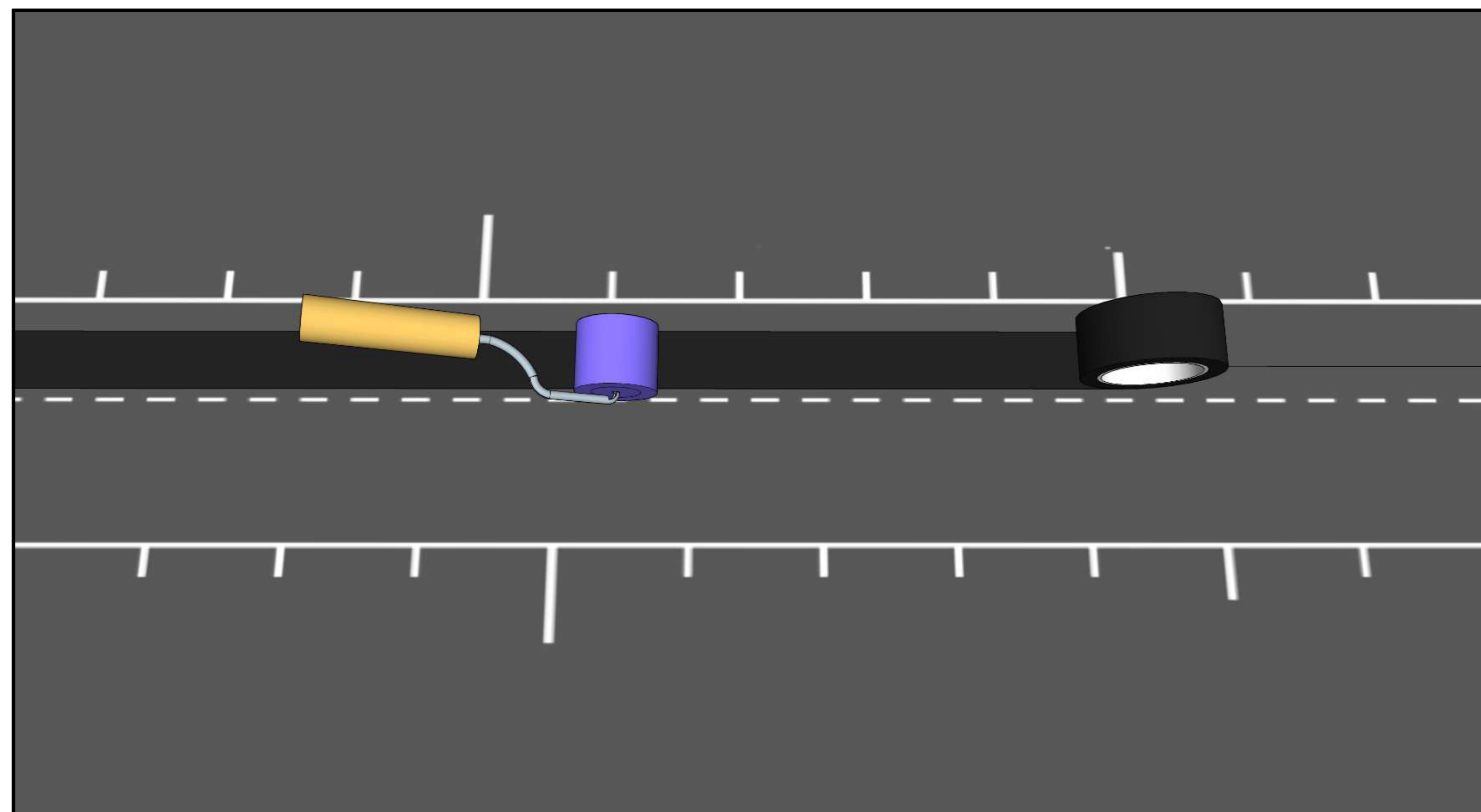
On the exterior wrap the airtight membrane horizontally from the bottom. Cover over the window openings.

02



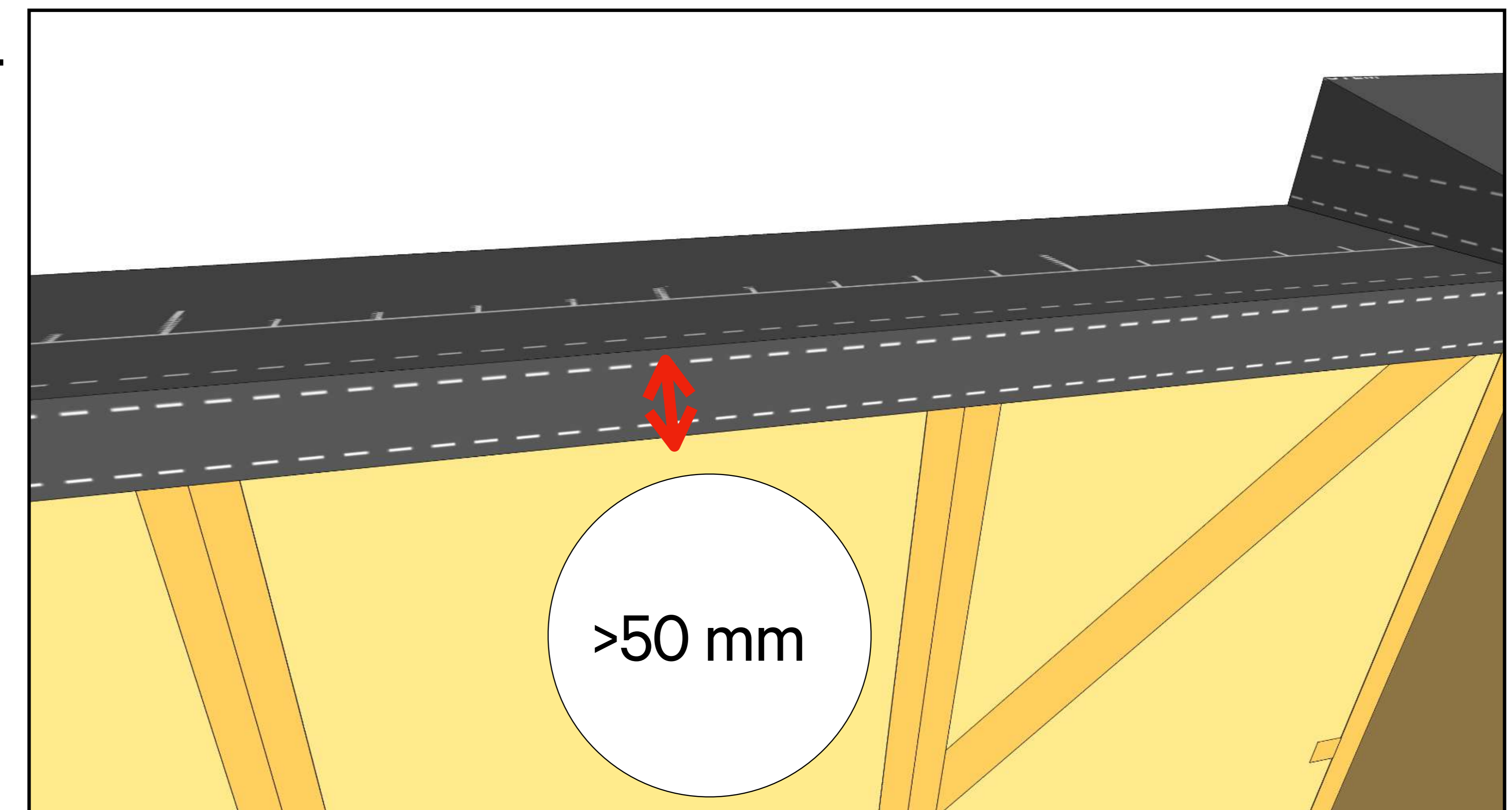
Fix the membrane with staples at top or bottom where the membrane overlaps.

03



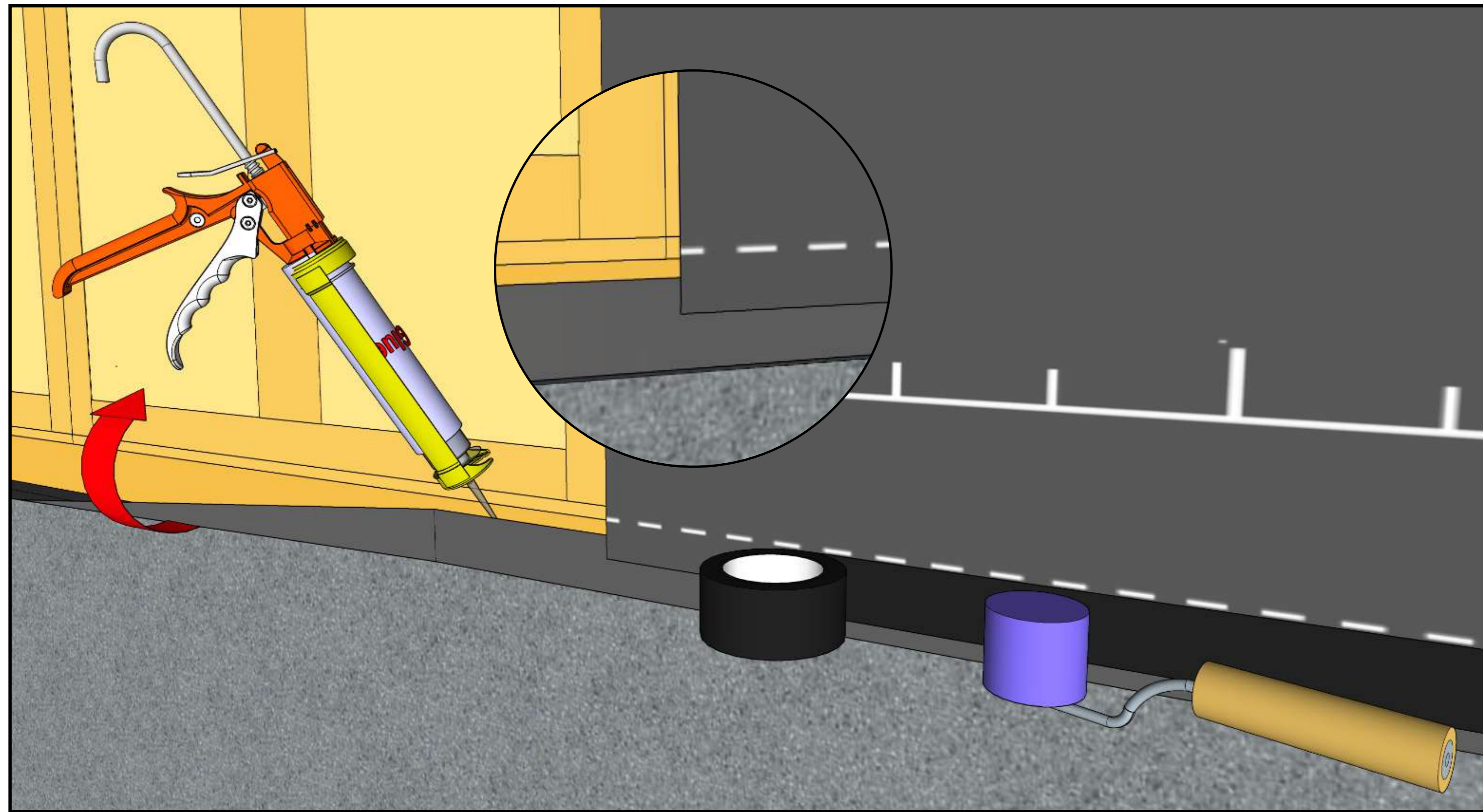
Seal connections with airtight tape and press the tape with a roller - pressure ensures strong adhesion.

04



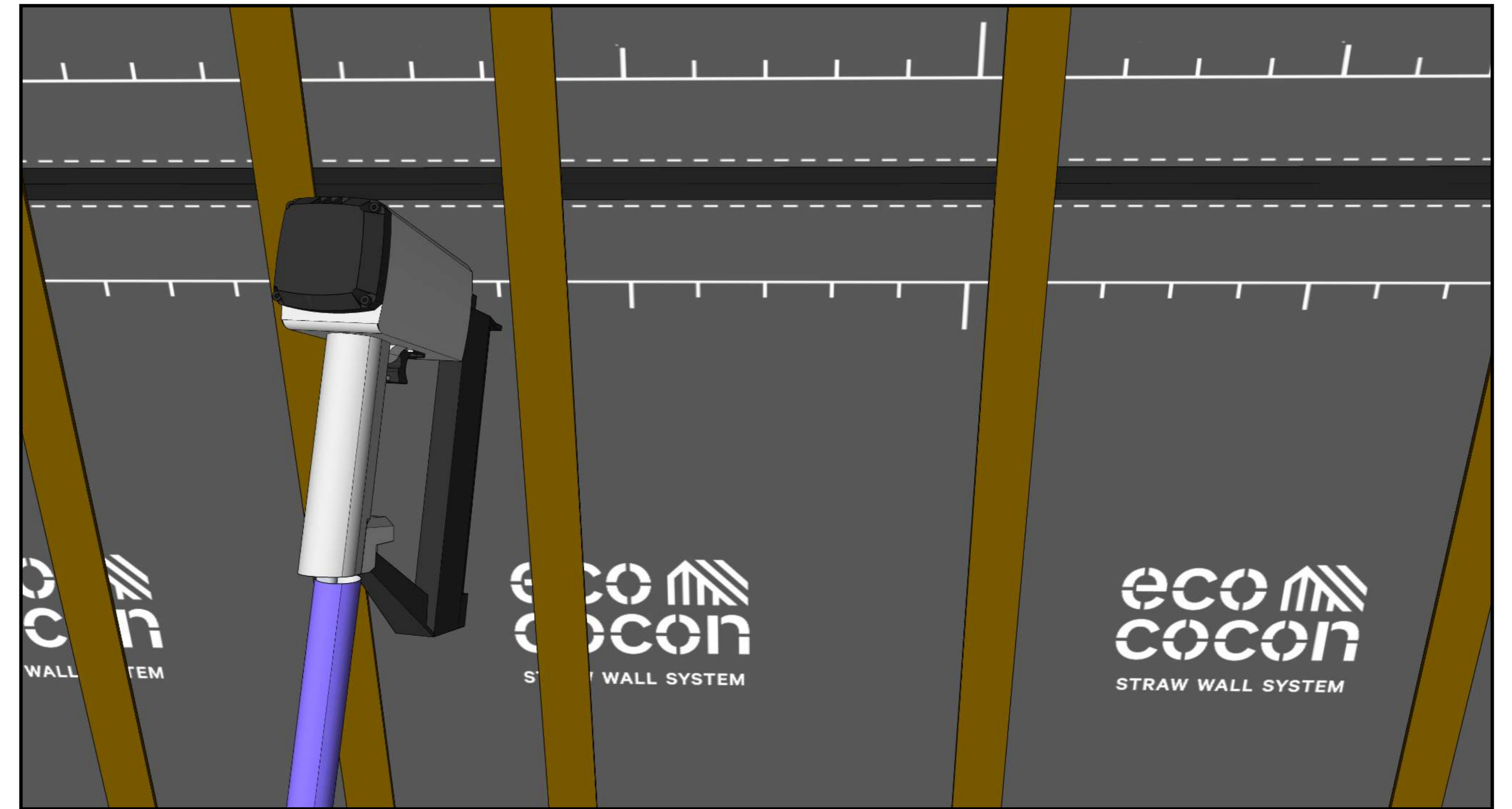
Flip the membrane over the top and leave 50 mm projecting to the interior side. If you pause work overnight, ensure the top is covered with a strip of membrane.

05



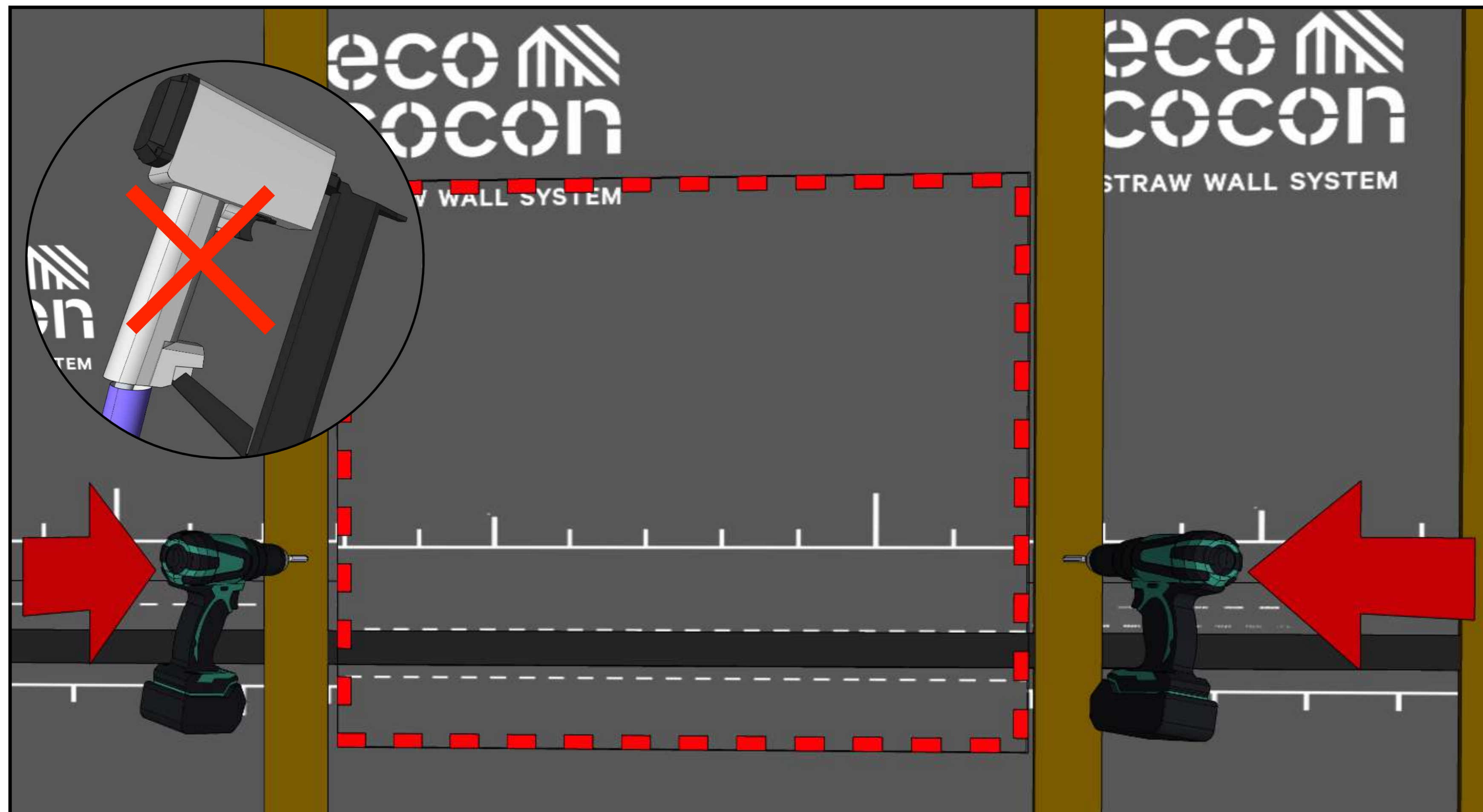
Ensure an airtight connection to the base plate by taping or glueing.

06



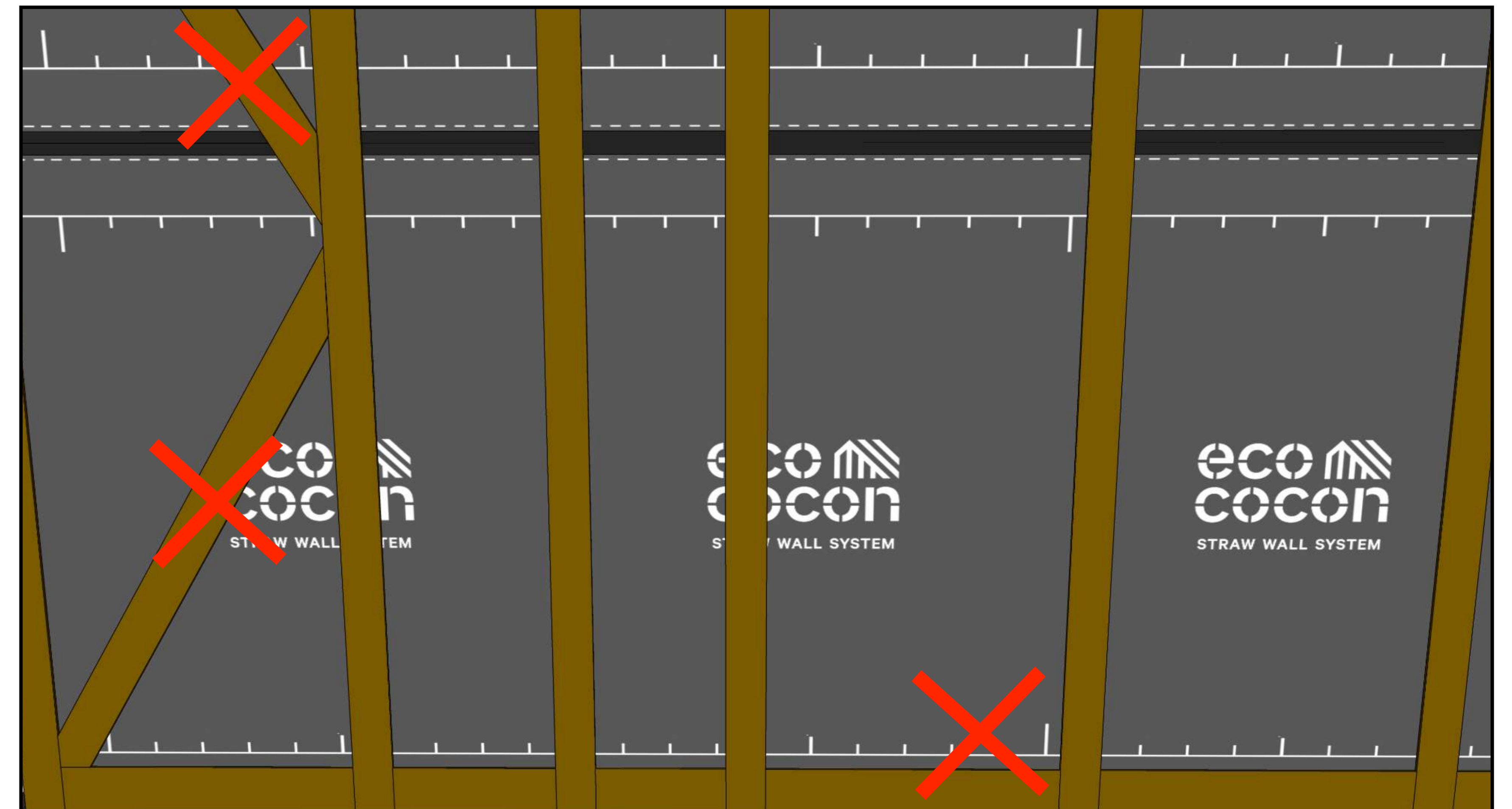
Staple plywood strips to fix the membrane only on vertical posts.

07



Fix vertical plywood strips next to wall openings only with screws. Do not staple them.

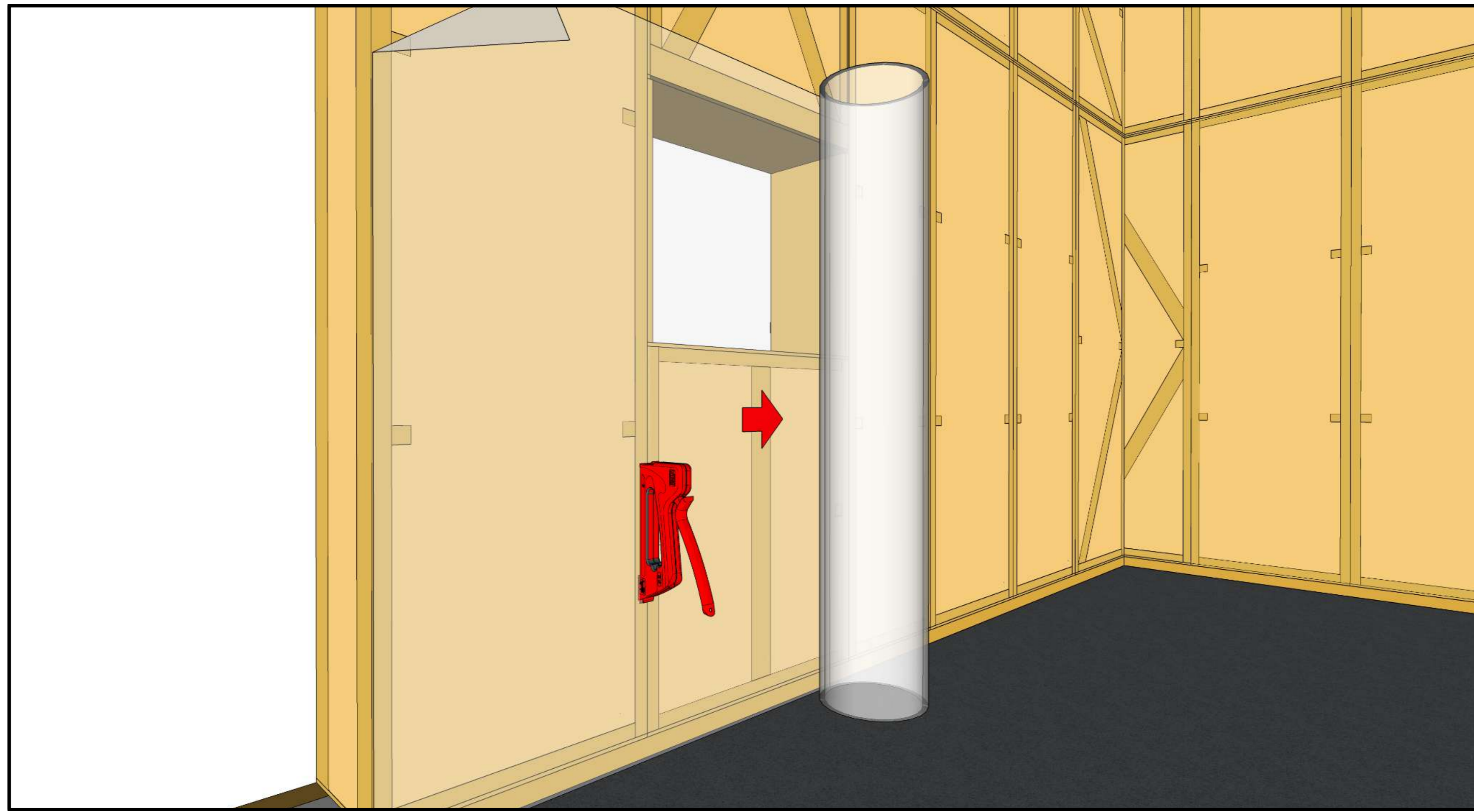
08



Do not add diagonal and horizontal strips yet.

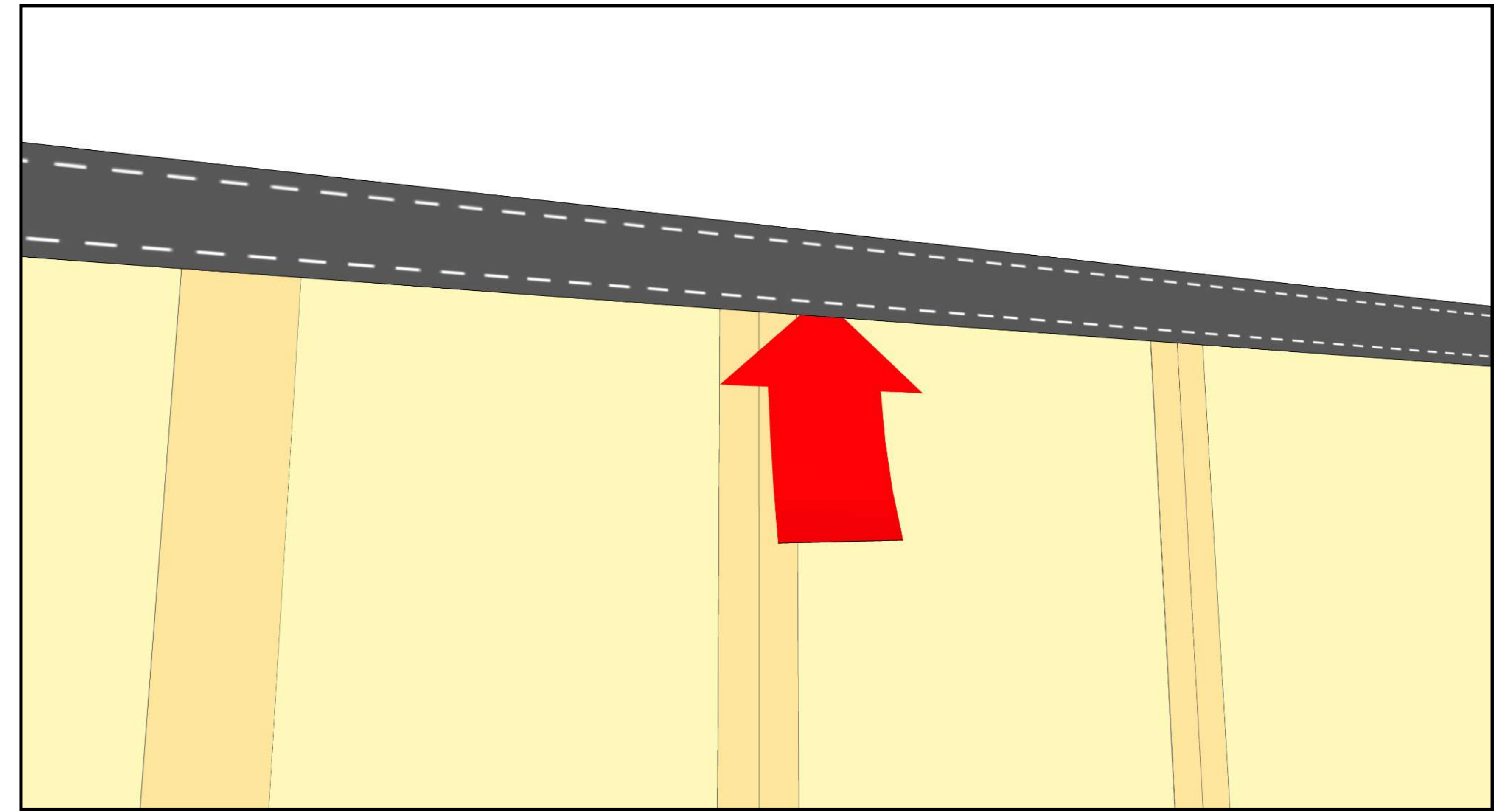
Temporary Weather Protection

01



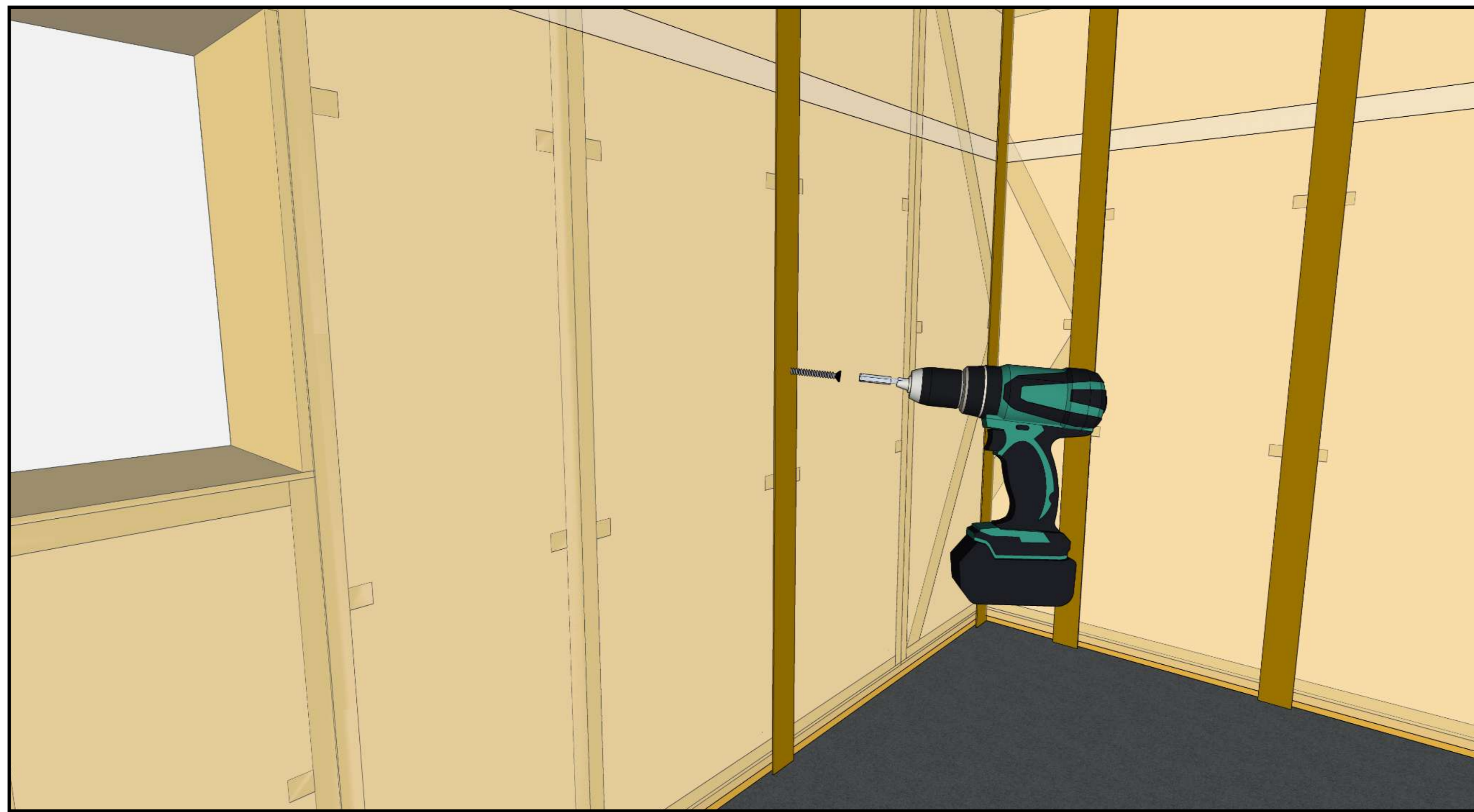
Wrap the interior part of the wall in a temporary transparent plastic sheeting. Do not leave on for more than two weeks.

02



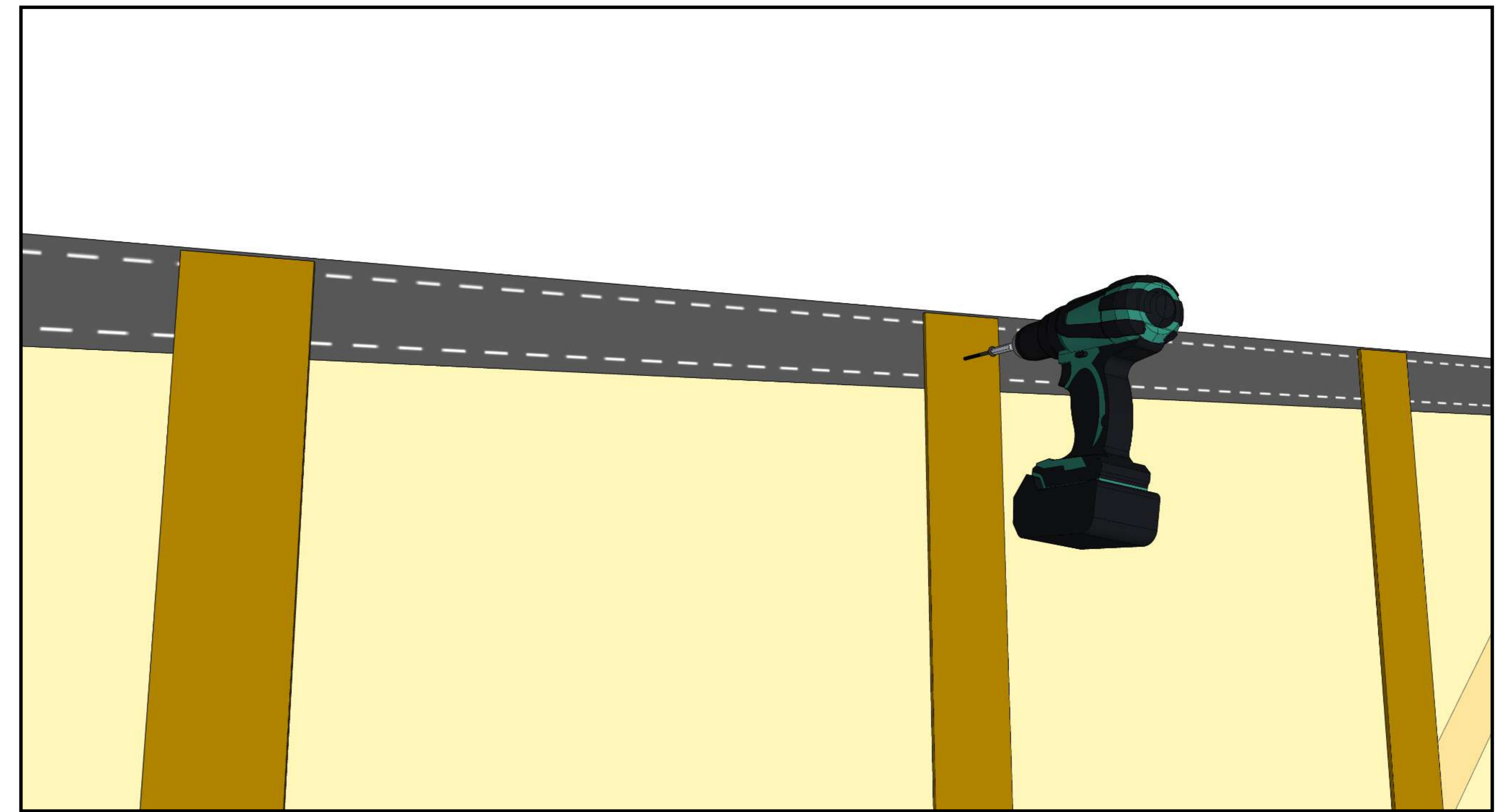
Put the plastic sheeting under the membrane on the top.

03



Fix the plastic sheeting with vertical plywood strips and screws.

04

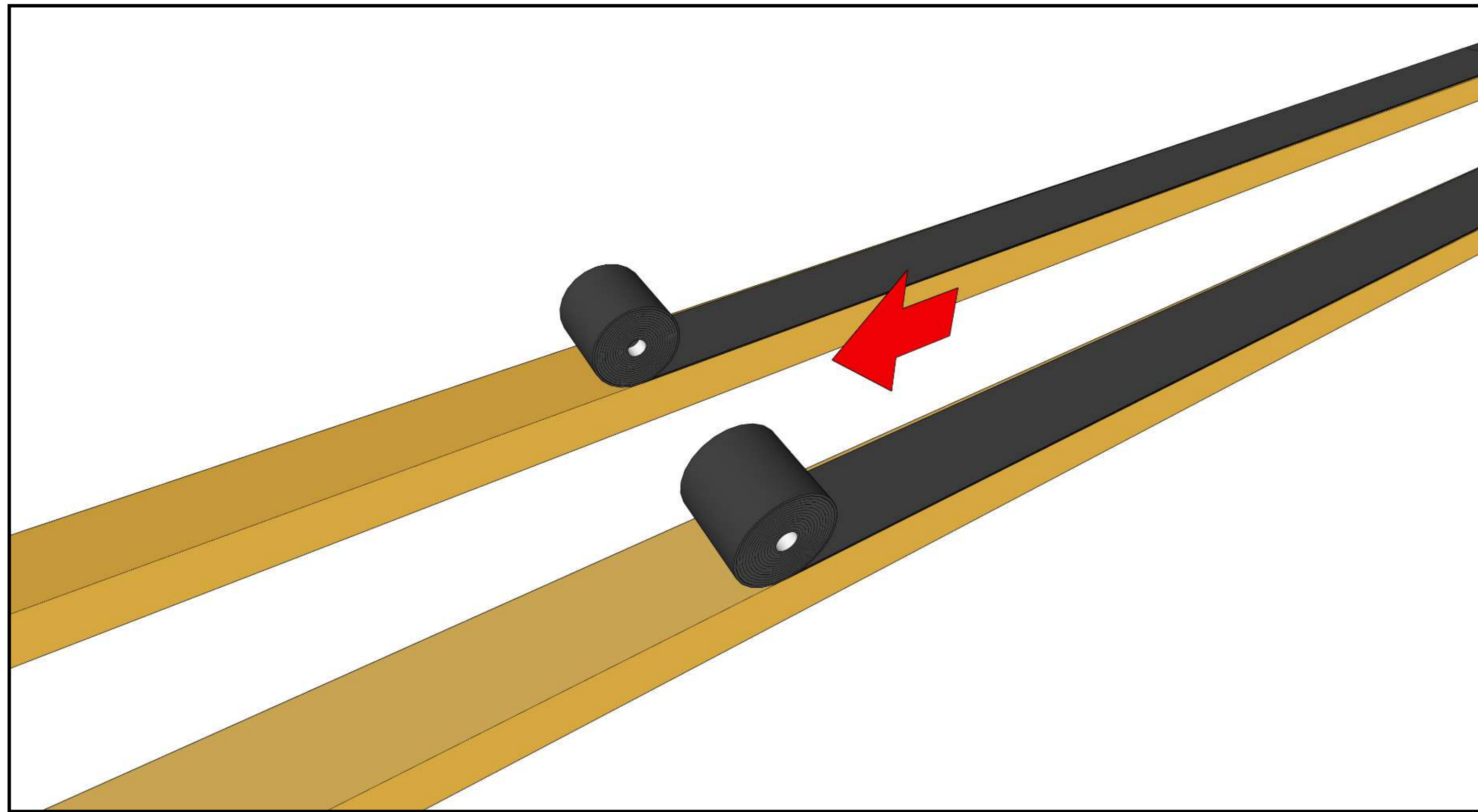


Fix the top with vertical plywood strips as well.



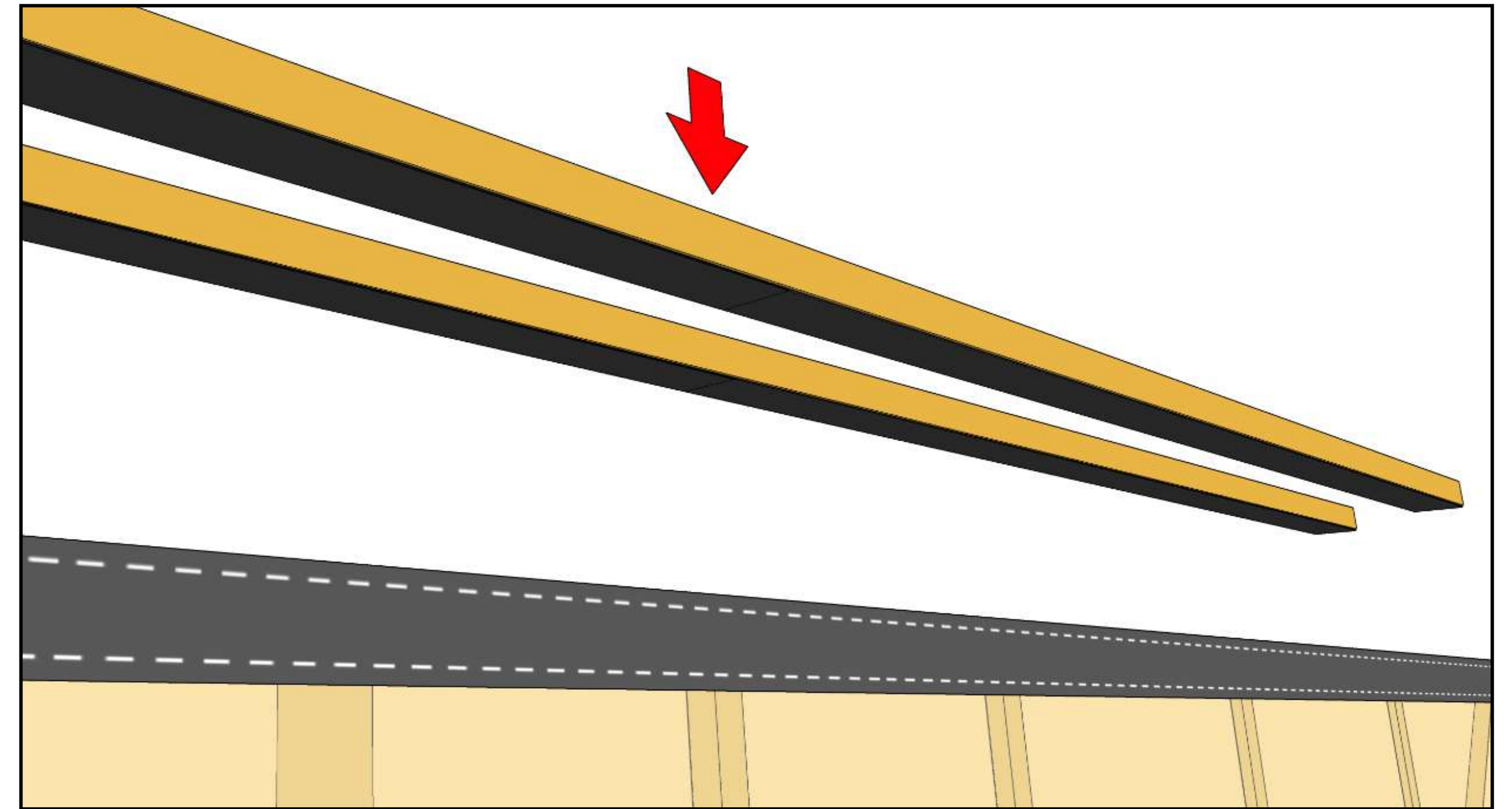
Top Plate

01



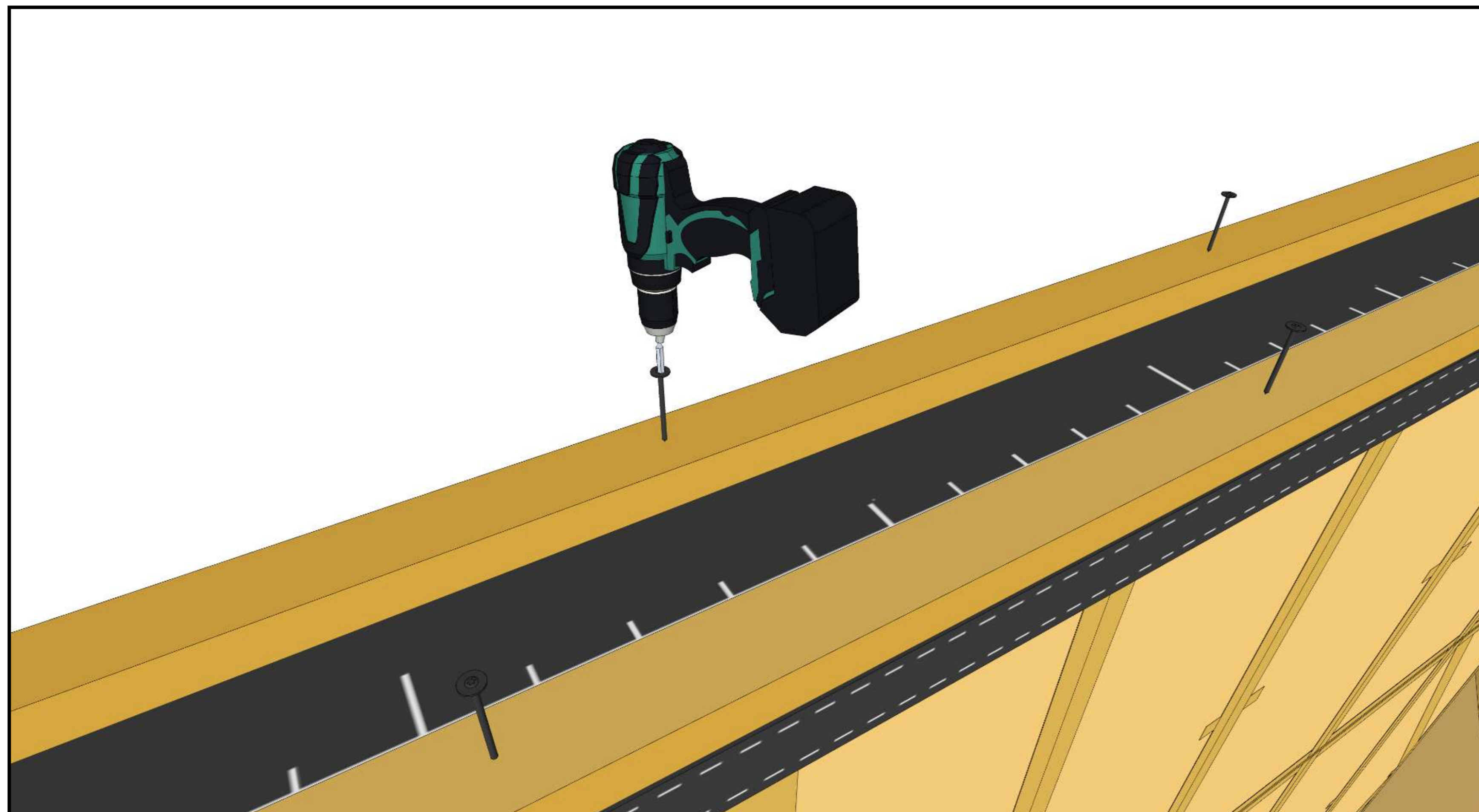
Apply a foam weather strip tape to the top plate.

02



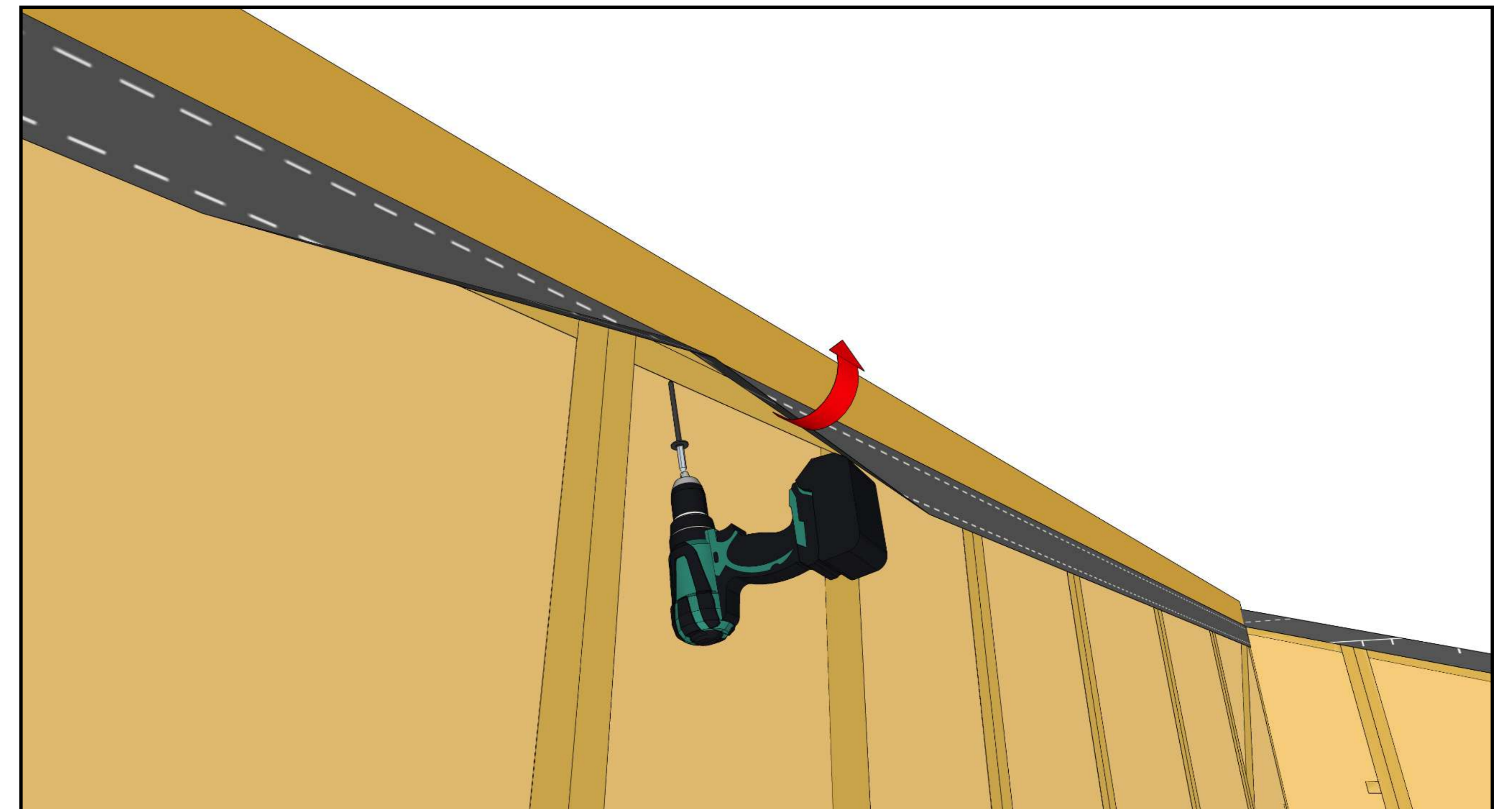
Install the top plate with foam weather strip tape down.

03



Screw the top plate through wood into panel.

04

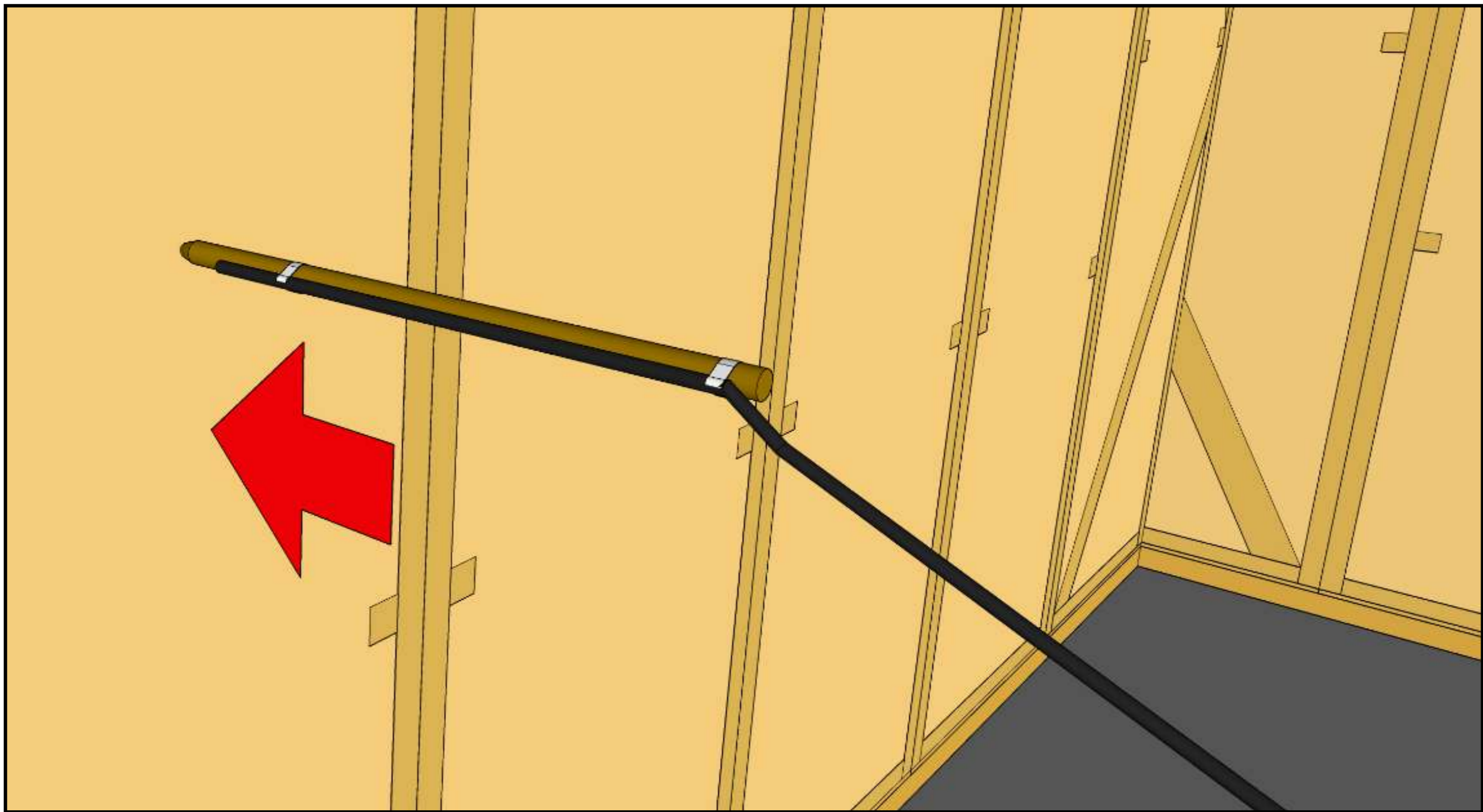


If the top plate is thick, screw it from the bottom through panel to wood.



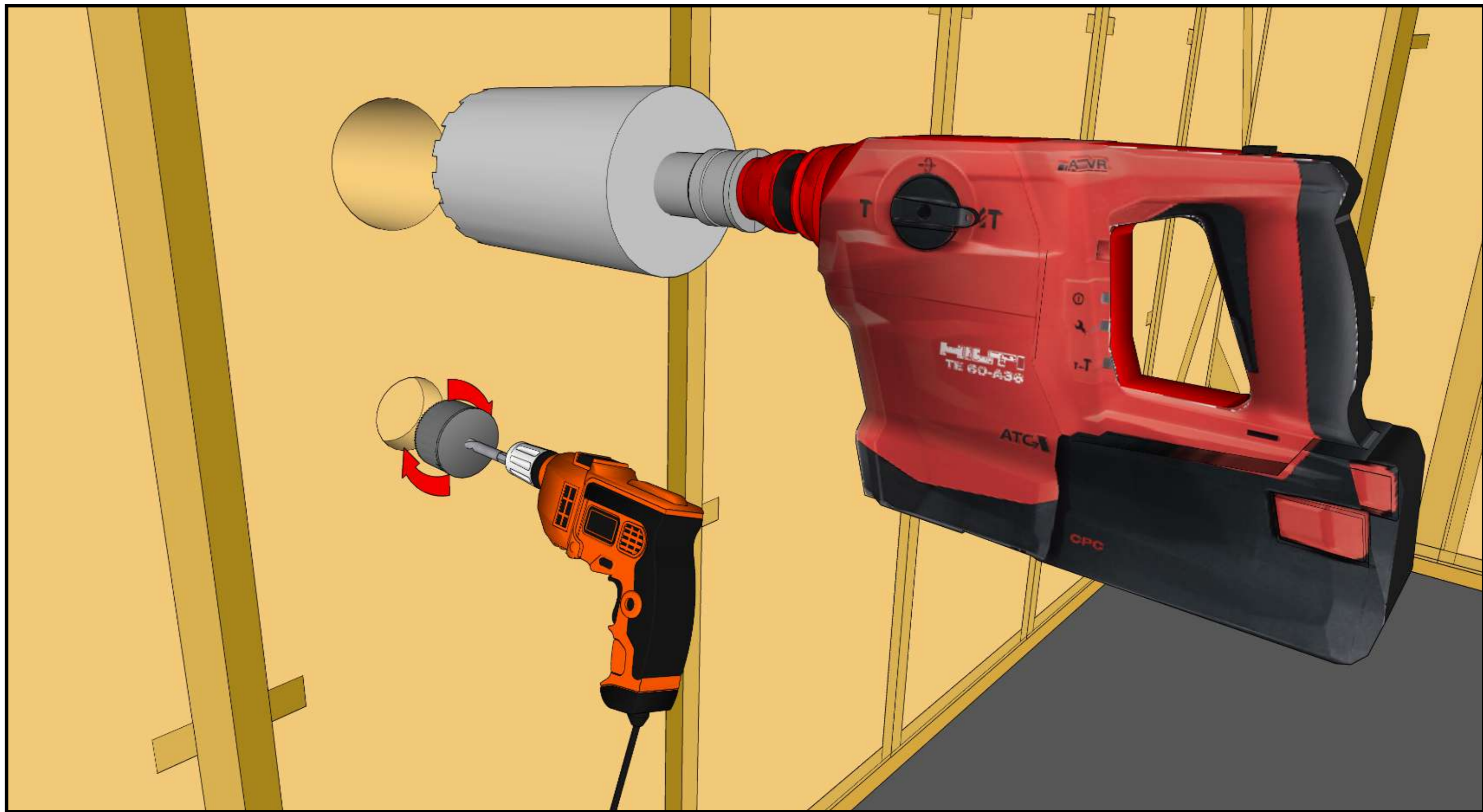
Straw Wall Penetrations

01



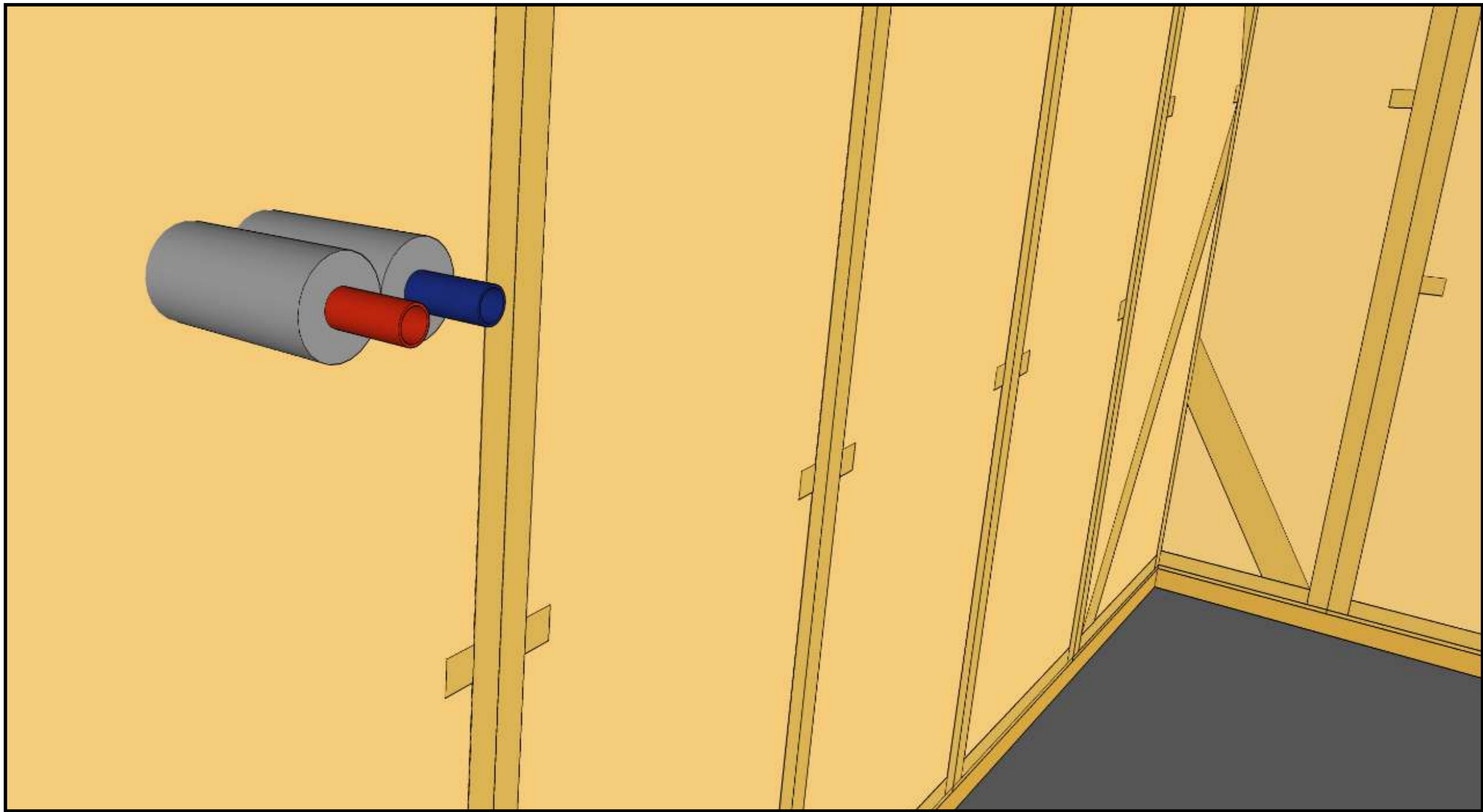
Small diameter cable can be pulled through using a thin stick.

02



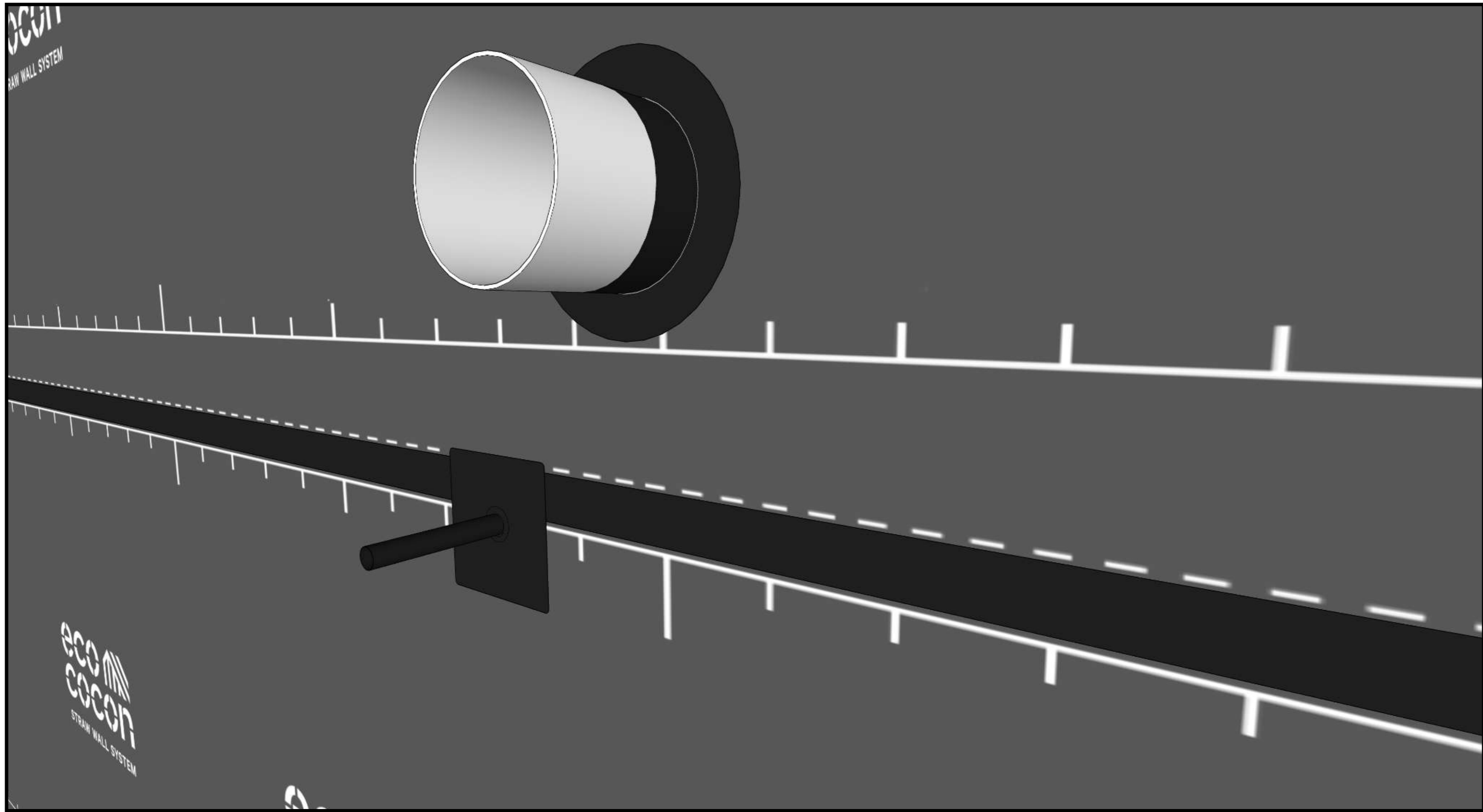
Larger diameter pipe can be drilled with a diamond drill on site or panels can be delivered with predrilled holes.

03



All hot and cold pipes need to be insulated according to regulations.

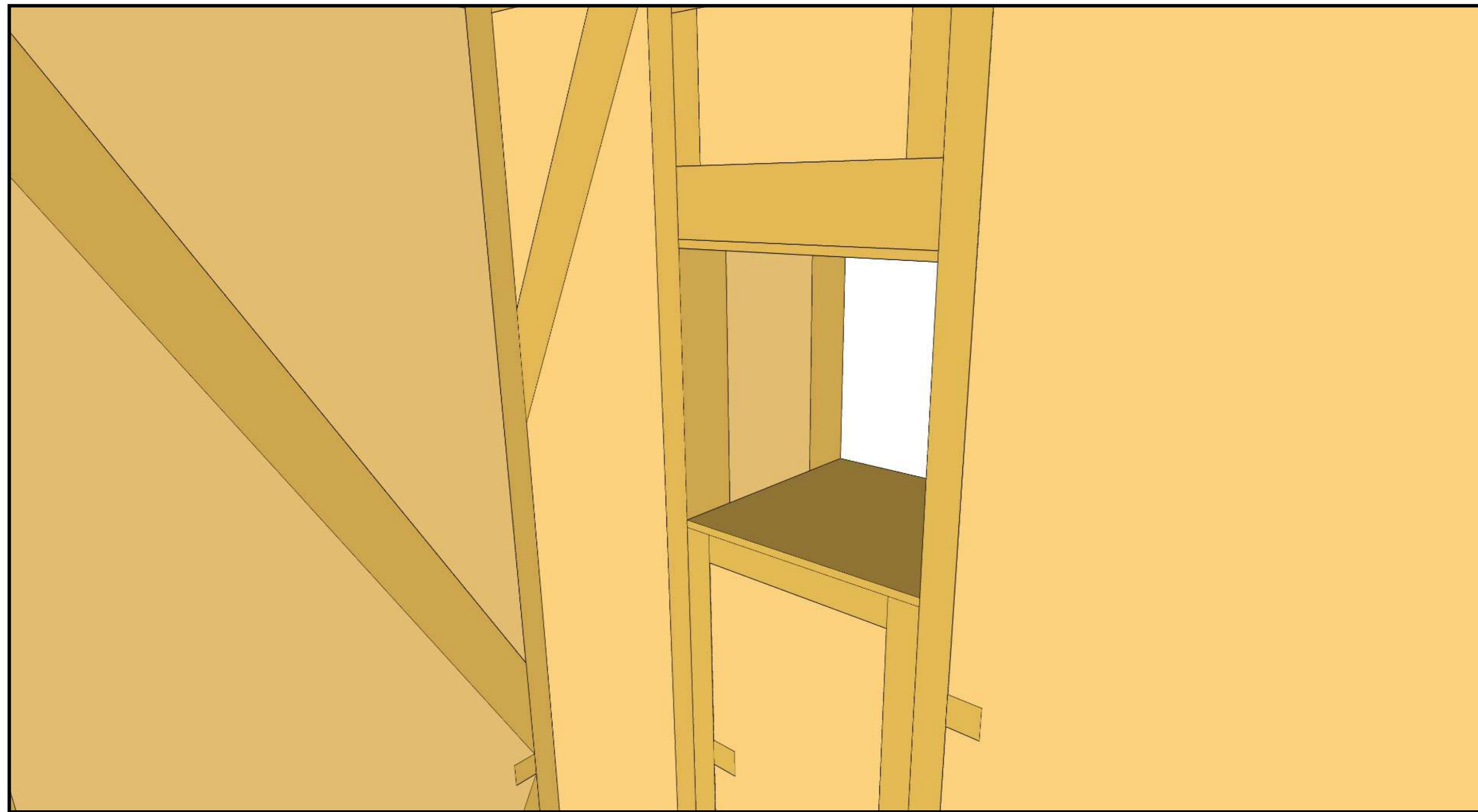
04



Cables and pipes need to be airtight sealed to the membrane on the outside.

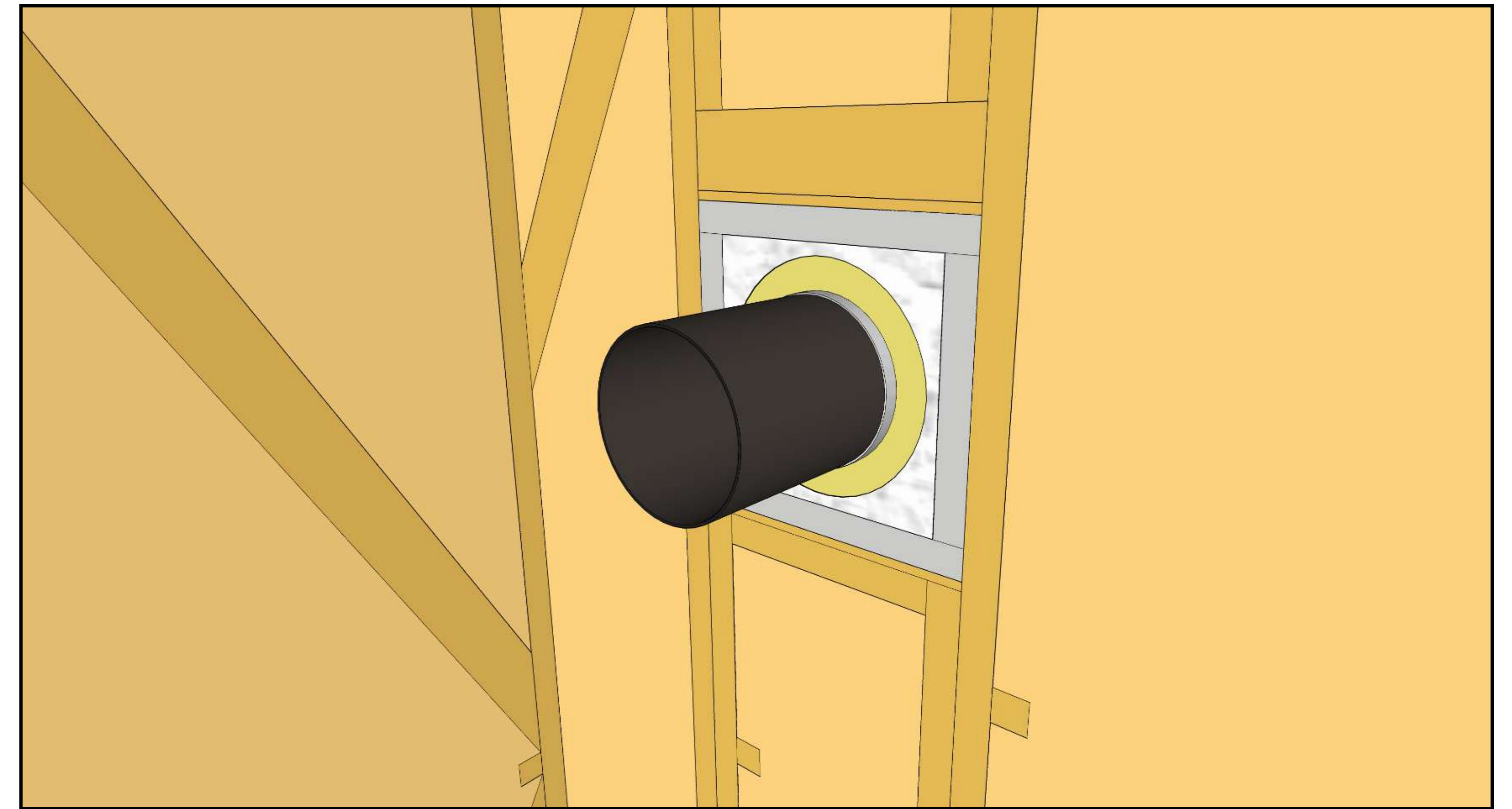


05



Smoke ducts/chimney or ventilation ducts need a bigger hole, which should be considered in the Panel Project and made in production.

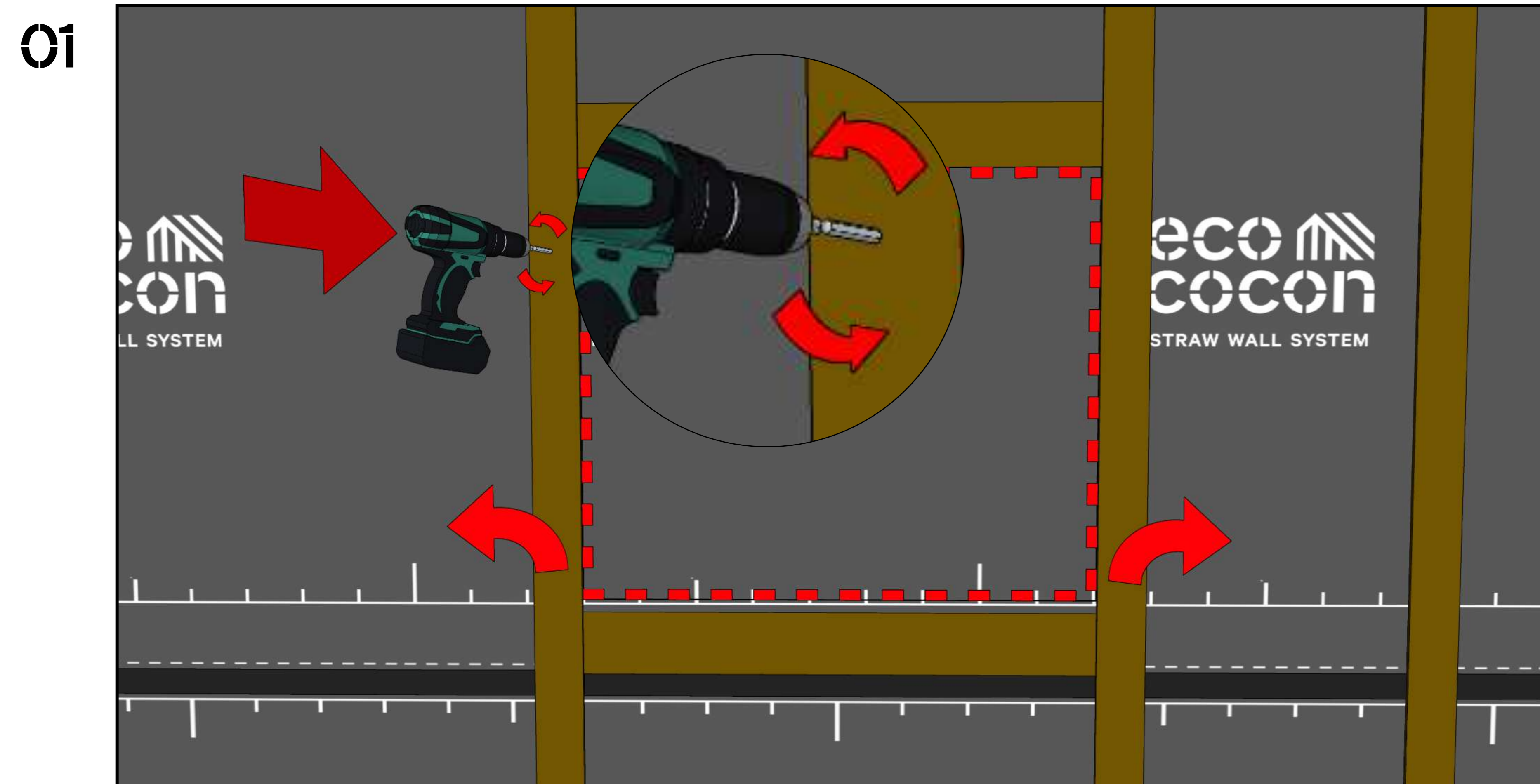
06



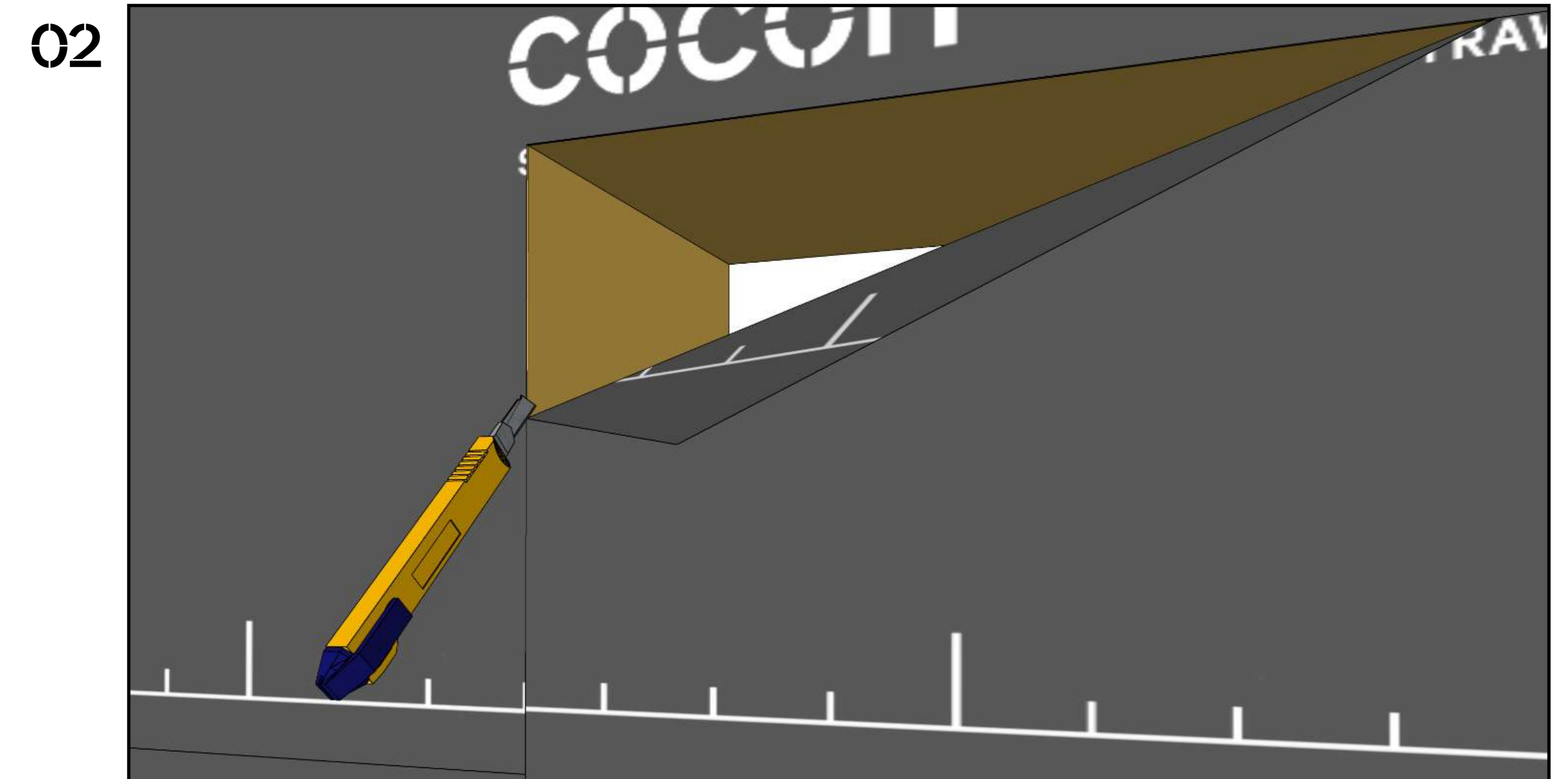
Smoke ducts/chimney have to be surrounded by fire resistant material in compliance with National Regulations.



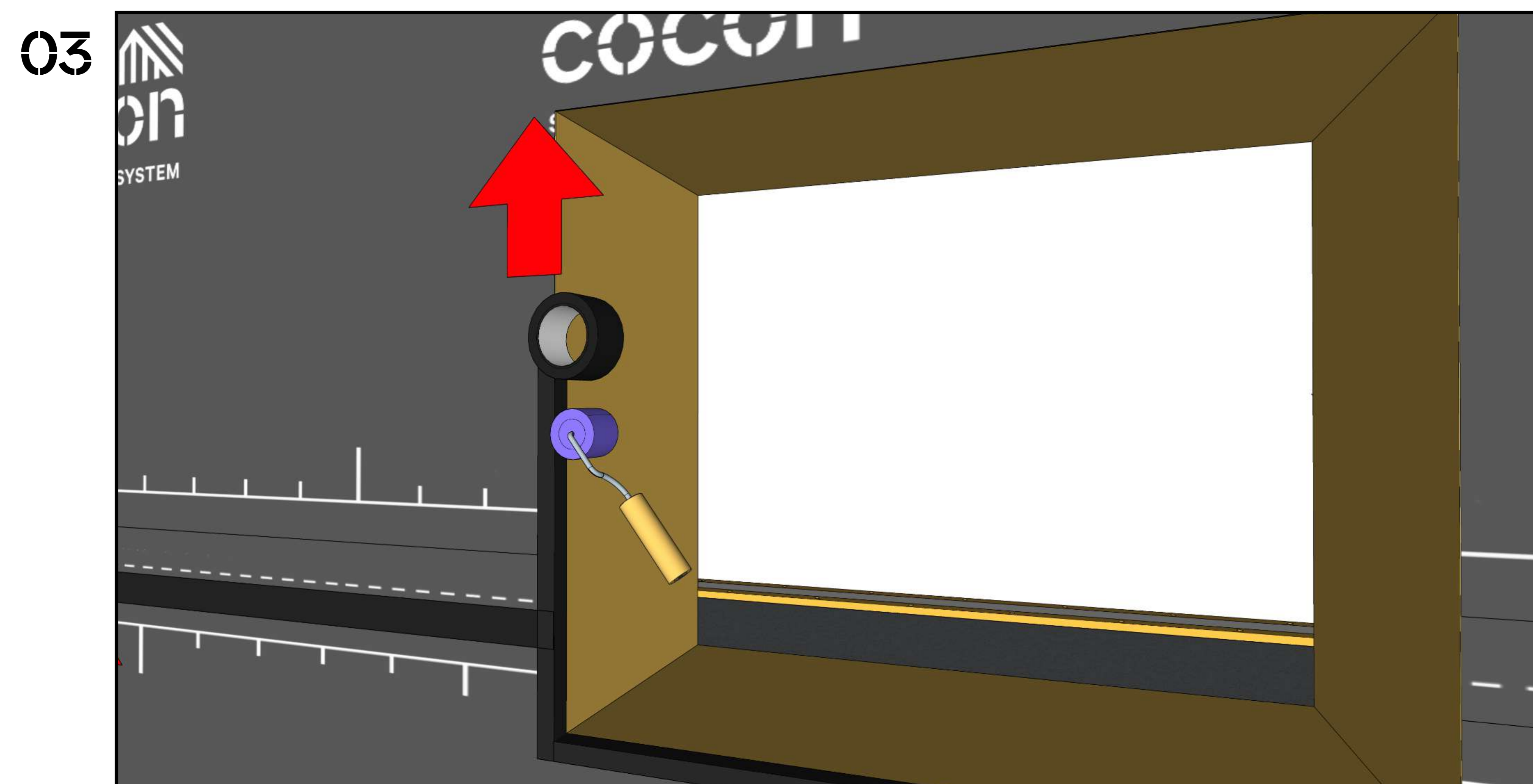
Window and Door Installation



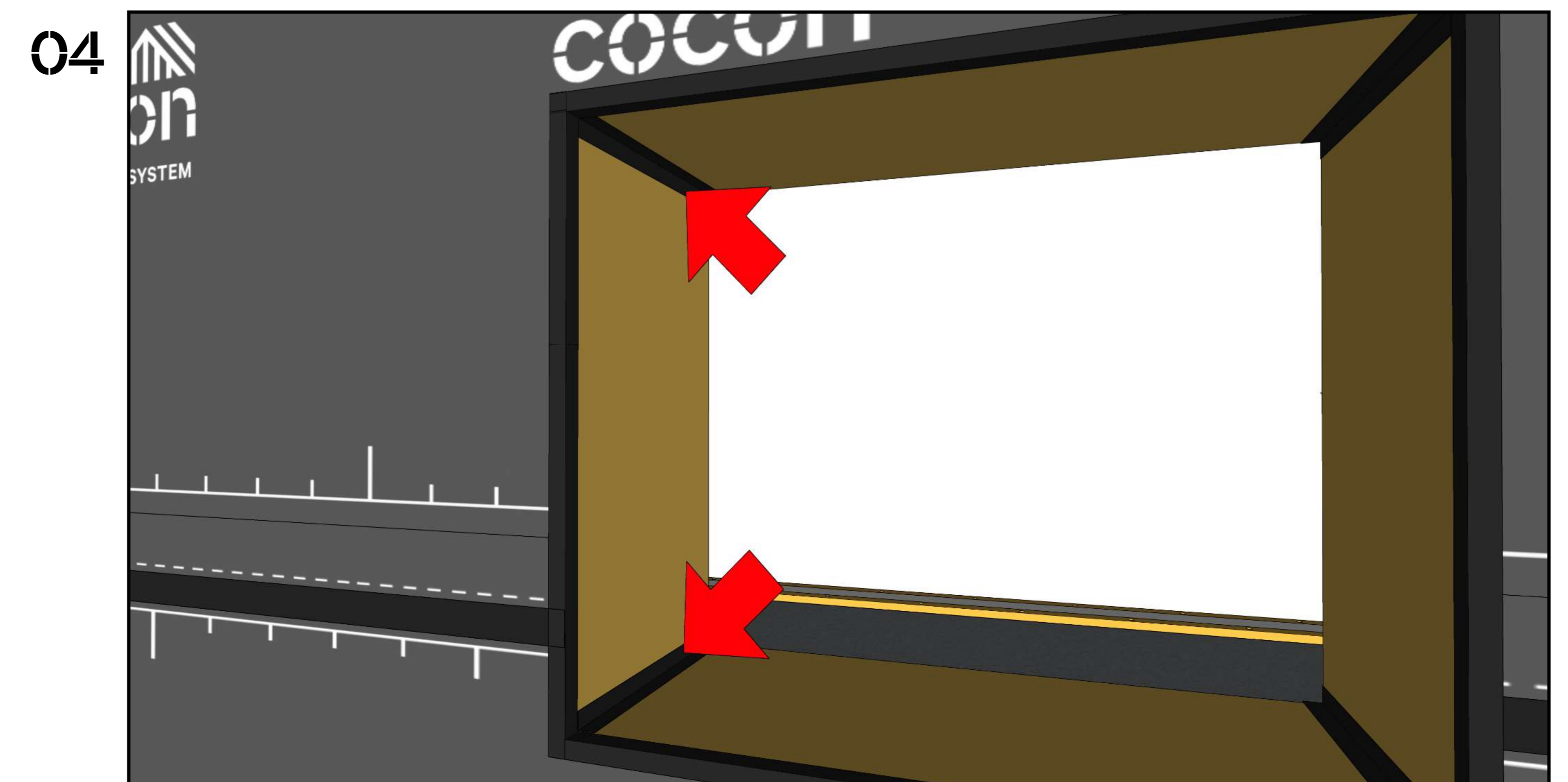
Unscrew the plywood strips around the opening.



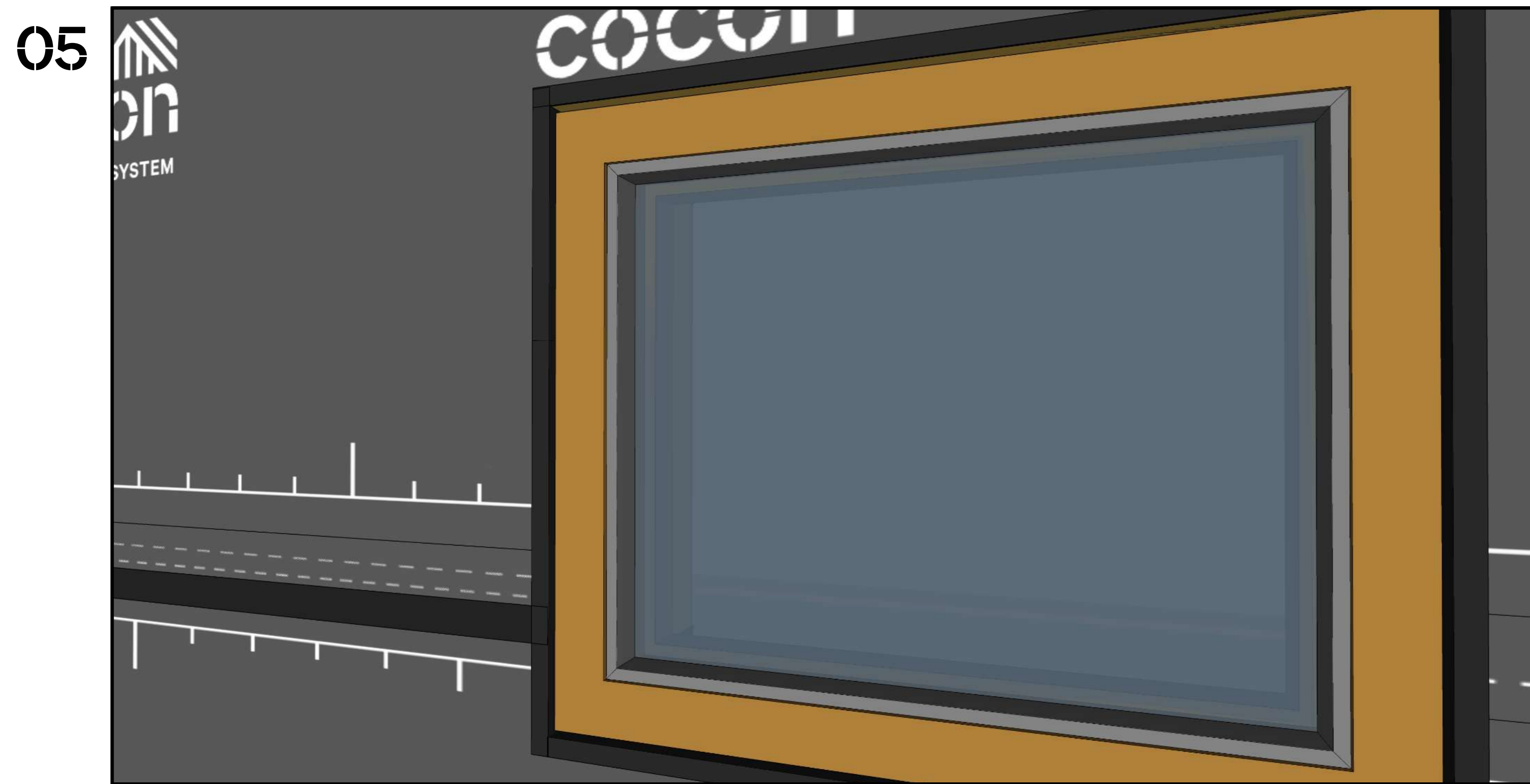
Cut the membrane according to the wall opening.



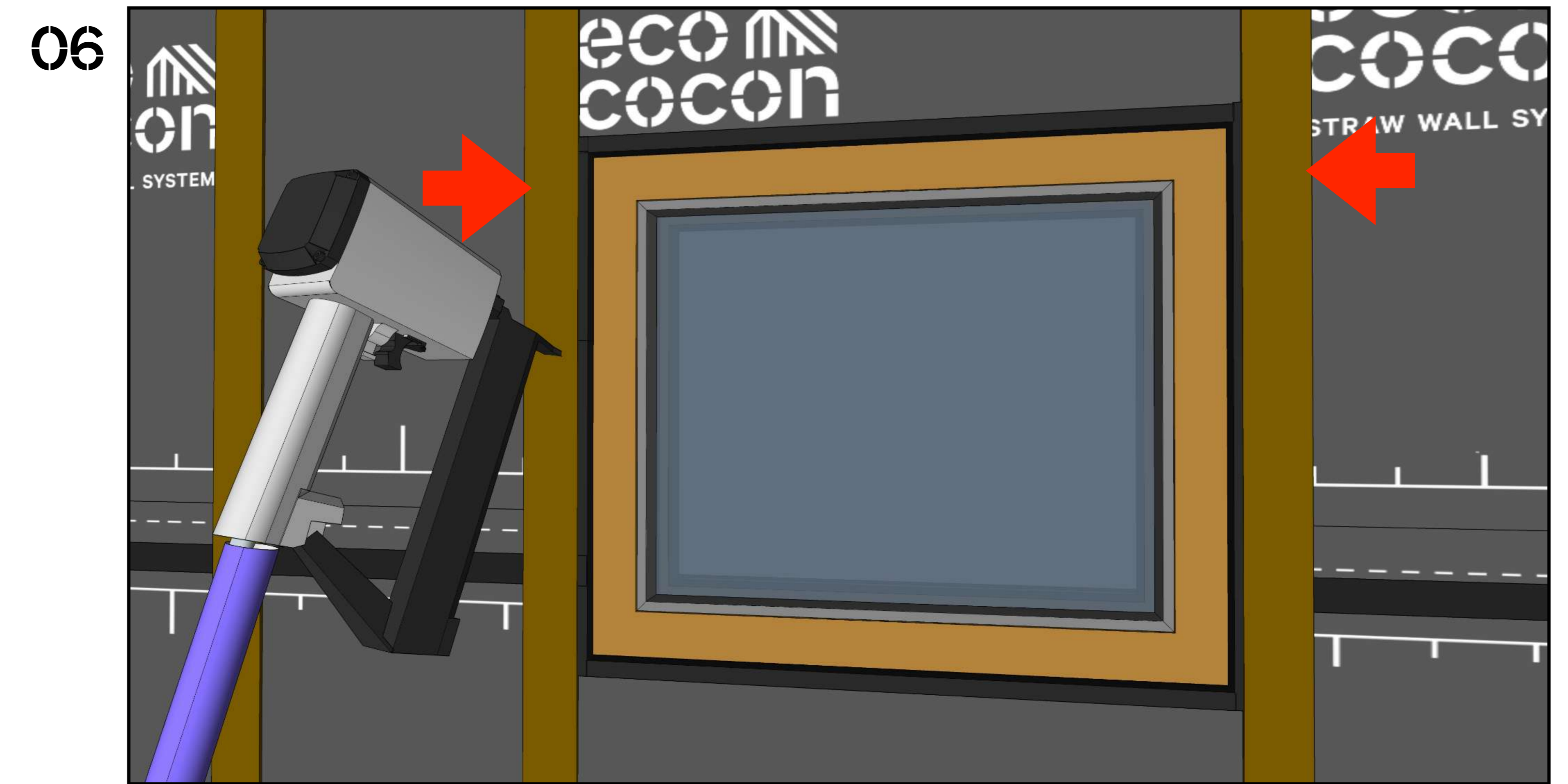
Tape the membrane to the plywood reveals and press the tape with a roller - pressure ensures strong adhesion.



Use an airtight tape to connect the plywood reveals to the lintel and sill.



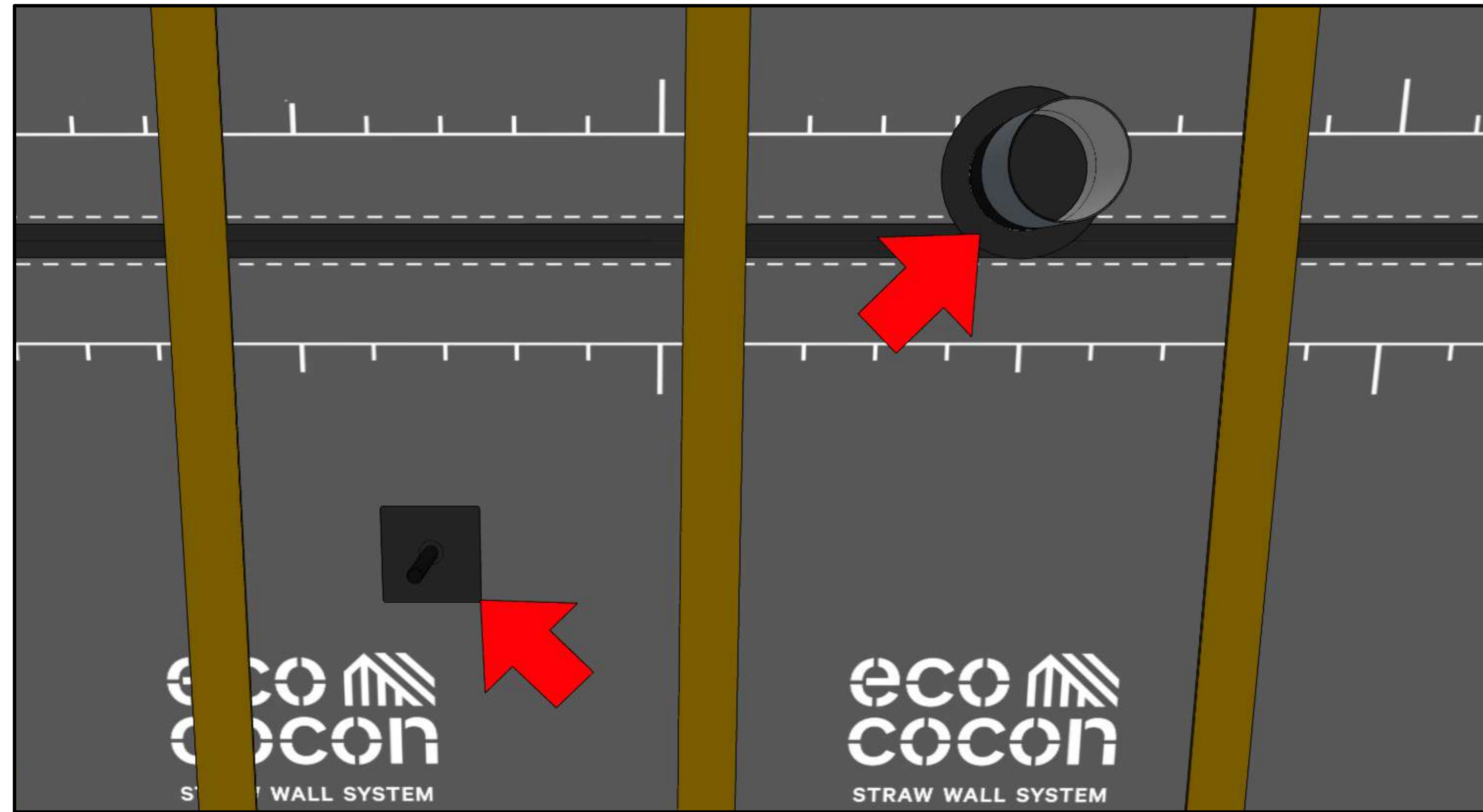
Mount the windows and doors according to the schedule and manufacturer's technical guide.



Staple plywood strips back on vertical posts around the opening.

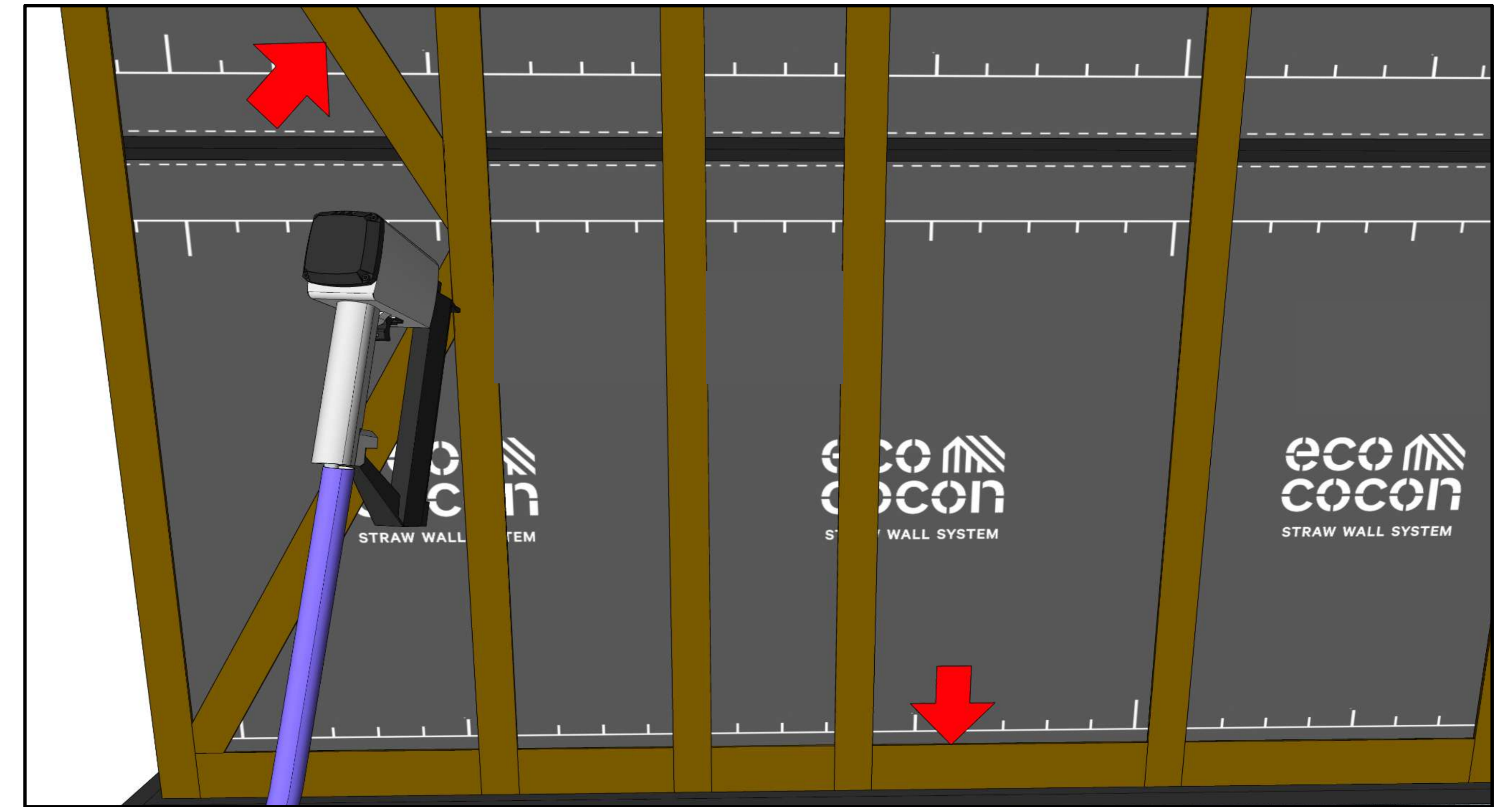
Wood Fibre Board

01



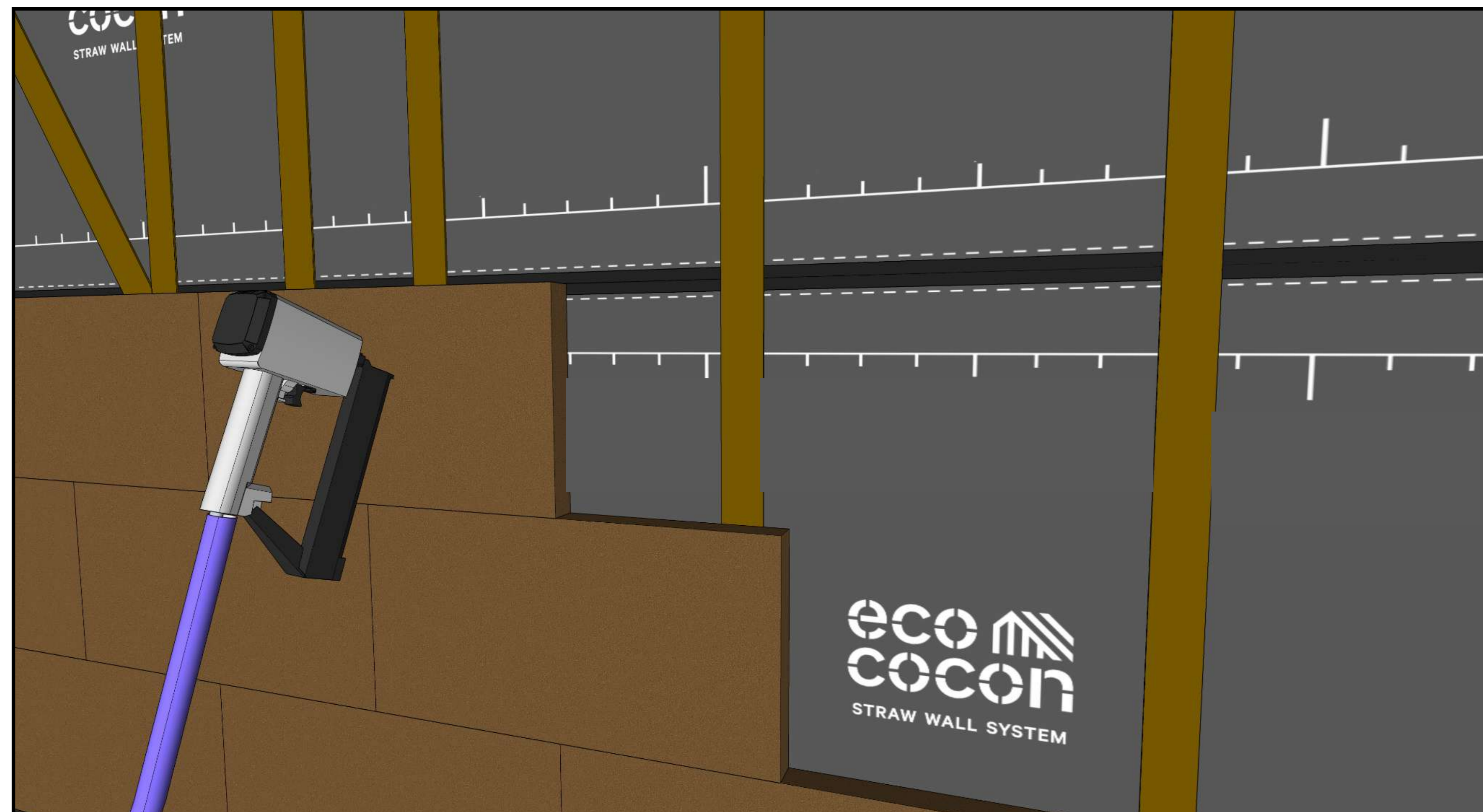
Ensure that airtightness is complete and any installation penetrations through the membrane have been sealed and are airtight.

02



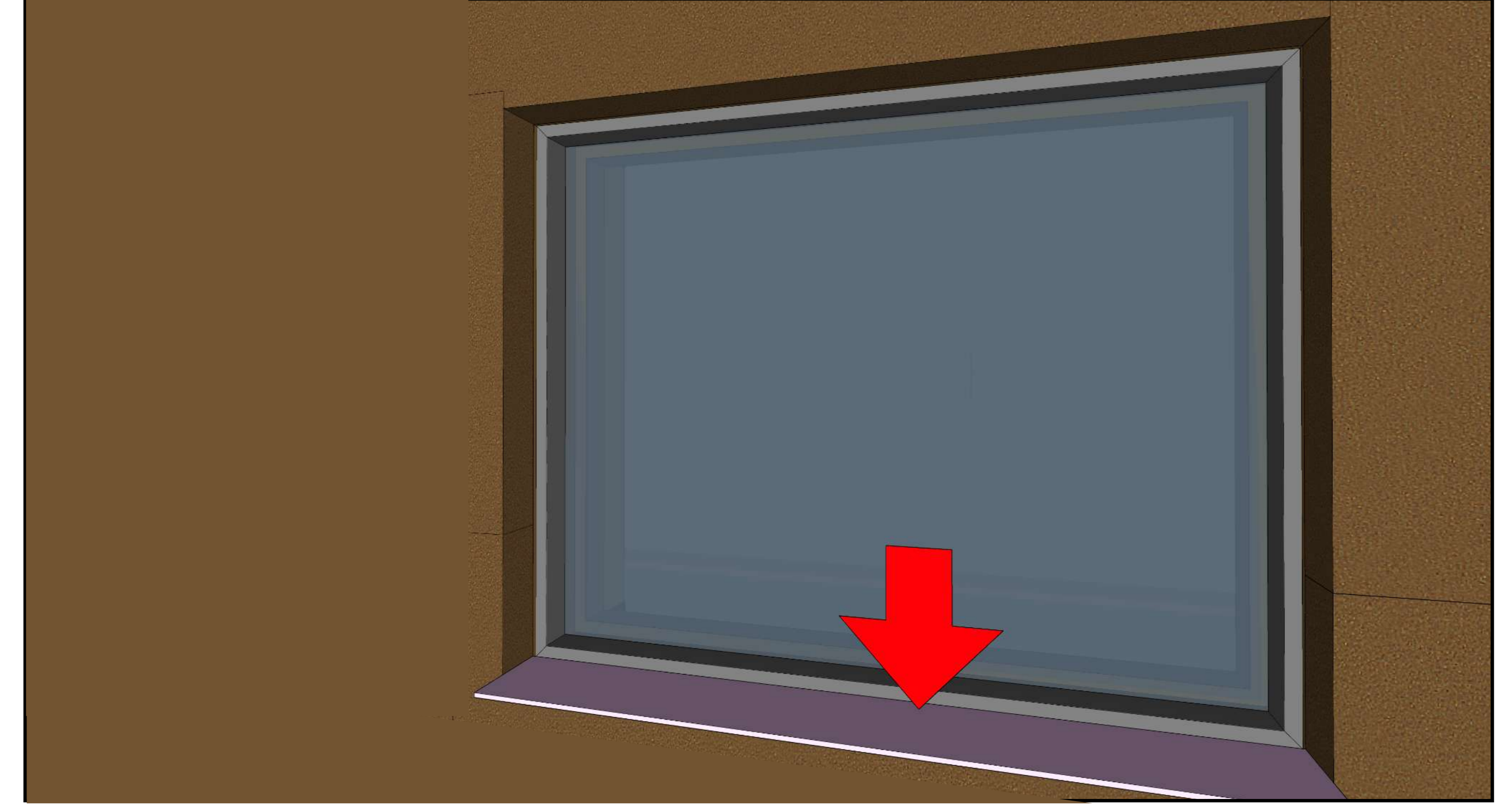
Fix diagonal and horizontal plywood strips onto the timber construction shortly before mounting the fibre board.

03



Staple/screw the boards to the timber frame of panels. Refer to the assembly guide of the fibre board producer.

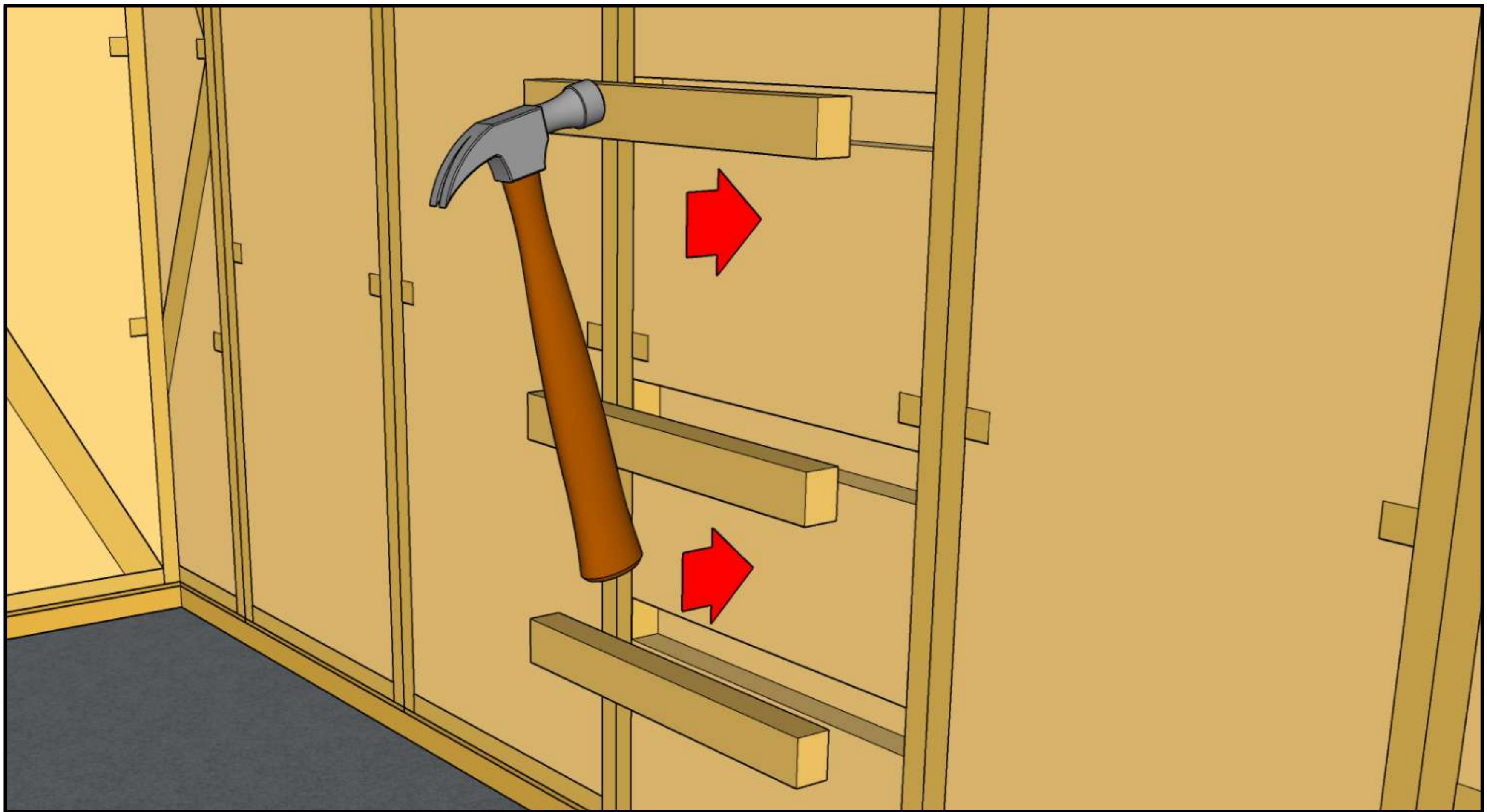
04



Protect the gap between the board and the panel against rain/water before you mount the window sill.

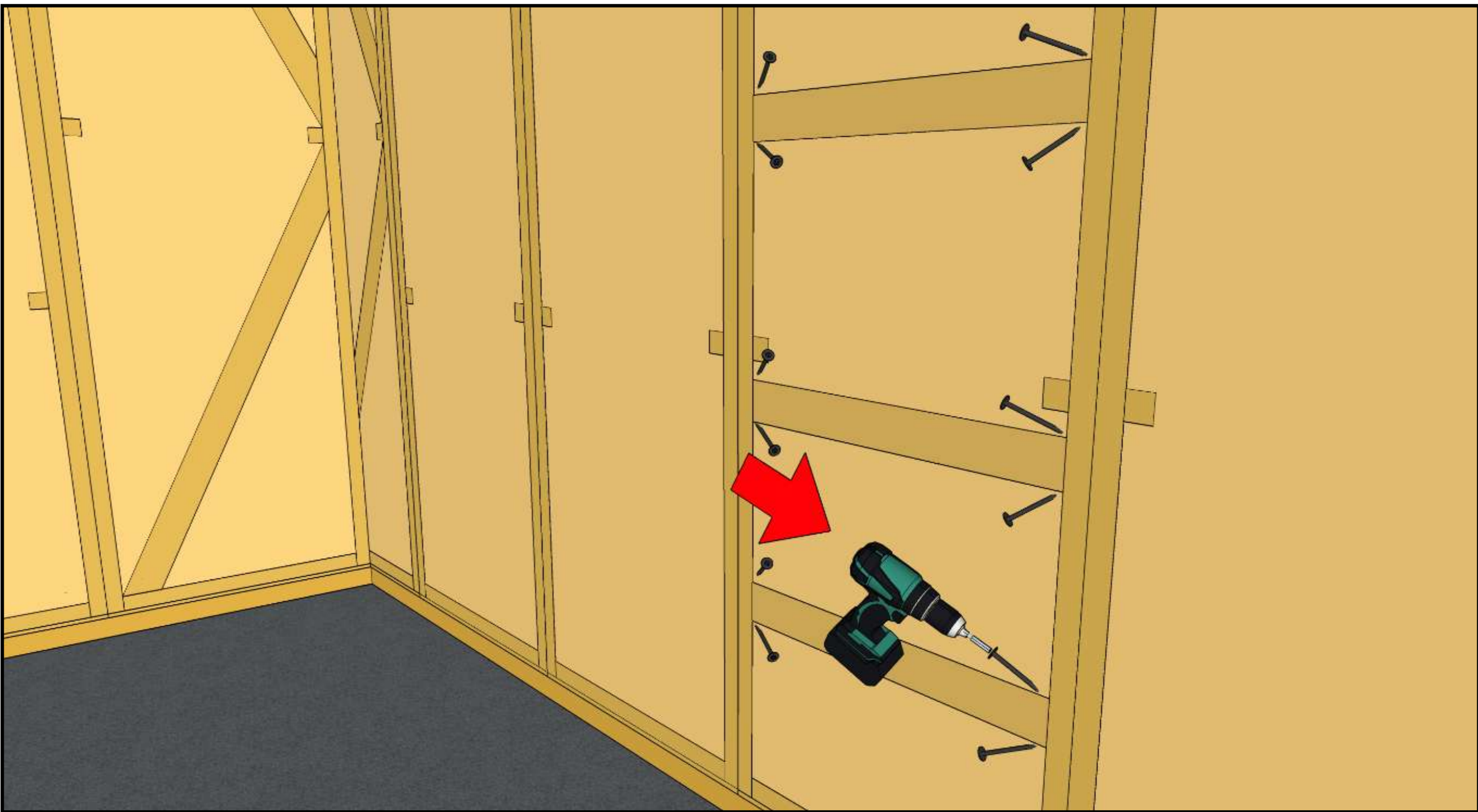
Connecting Partitions to Wall

01



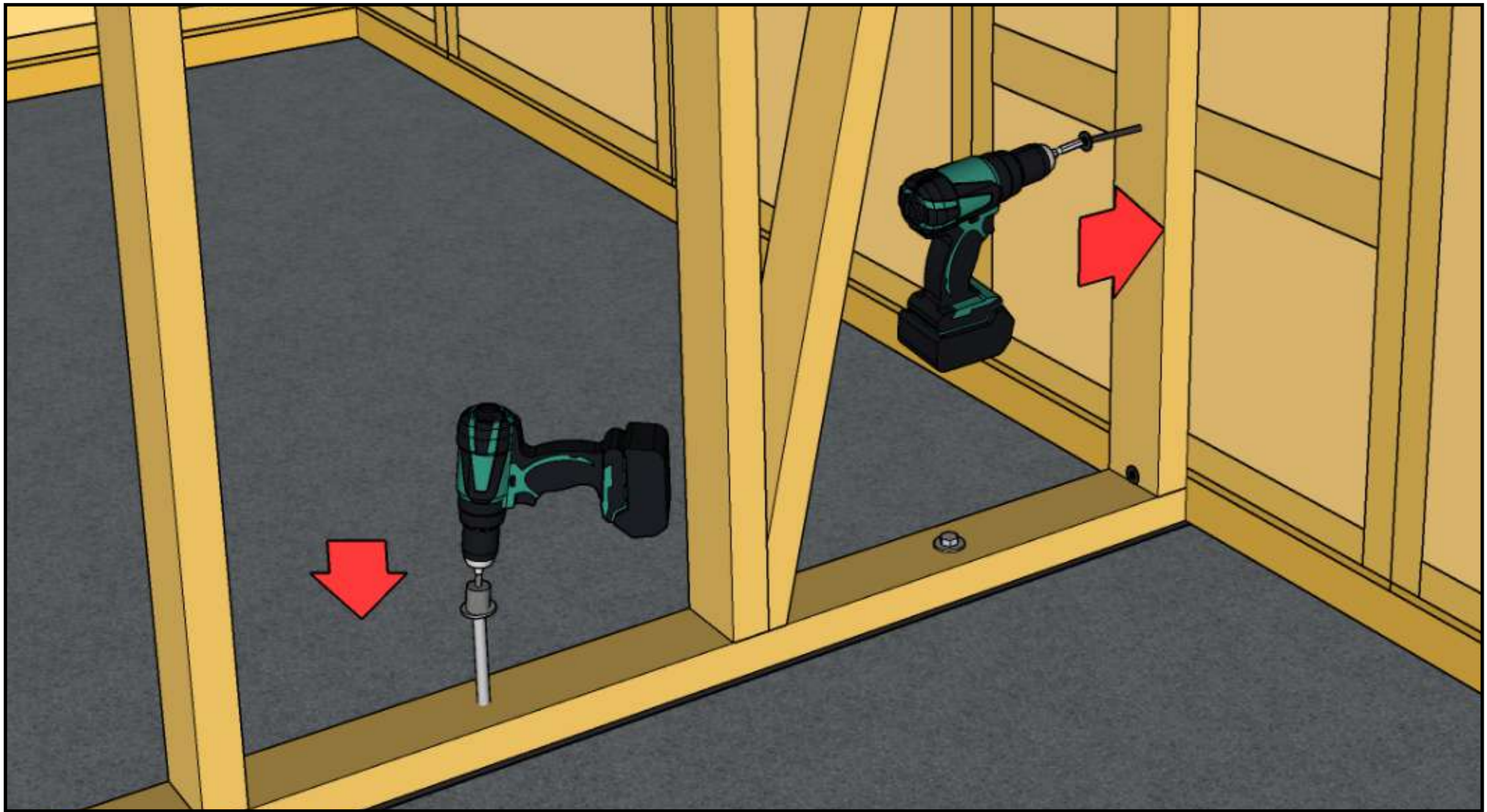
If the partition connection was not planned during the panel project, route out a notch in the straw and insert timber elements between two studs.

02



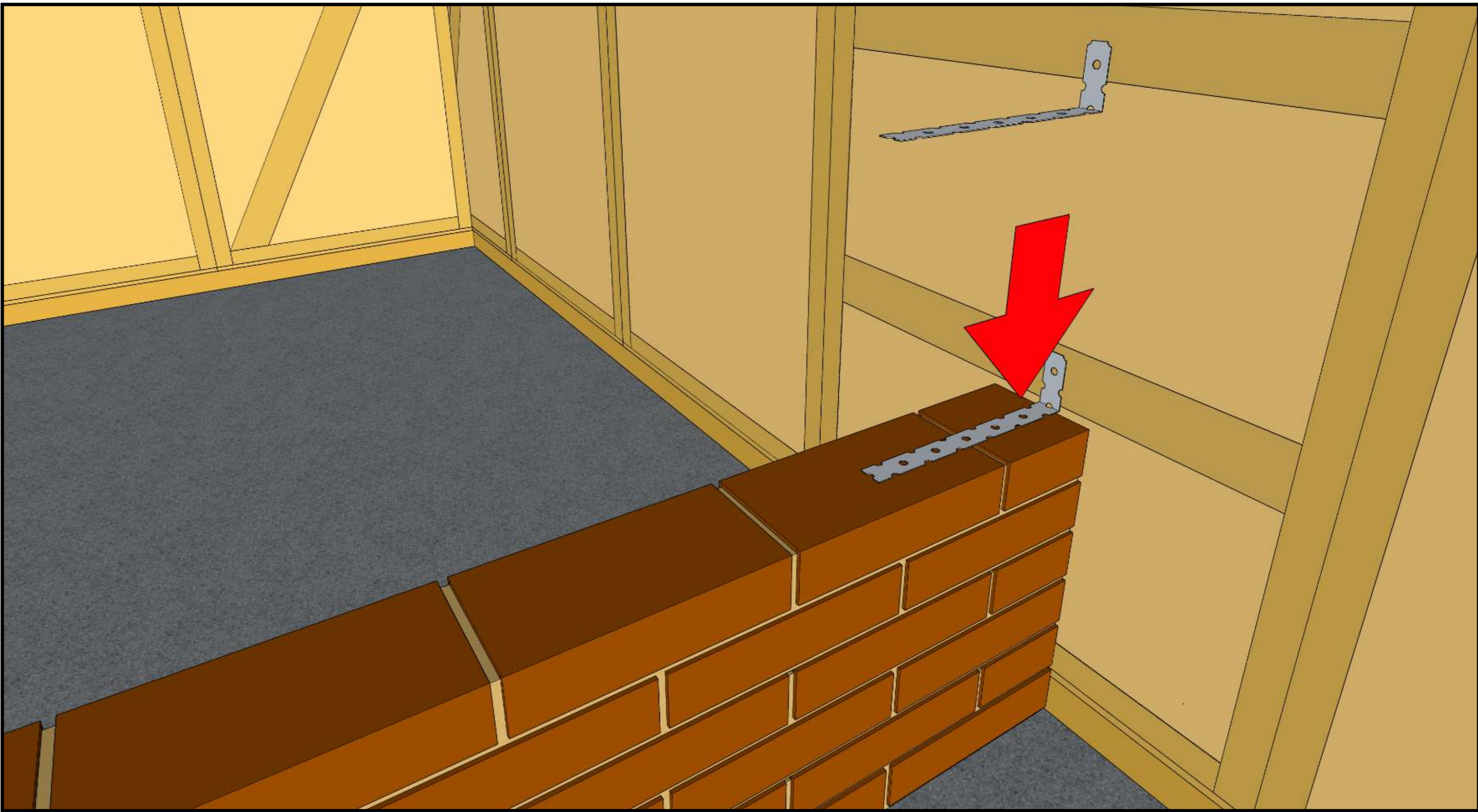
Fix horizontal timber elements with screws to the studs.

03



Fix the partition to the support created.

04



Fix a masonry partition to the support created.



Interior Installations



Rules and Recommendations

Drilling into timber structure

If you need to drill a hole in a stud or create a recess for electrical conduit, it's important to consult with an EcoCocon structural engineer for the project.

Plumbing

- » Do not mount the plumbing directly in contact with straw. Use a water resistant board (plywood, gypsum fibre boards, OSB) on the walls where the services and plumbing will be installed.
- » A service void is recommended to install plumbing services.

Electrical installation

- » For electrical installation follow National Regulations.
- » Electrical wiring can be fixed to studs or to the straw directly.

Surfaces and connections

- » Do not leave straw uncovered. Use plaster or mount boards for fixing the services, but cover the whole straw surface including behind the service void, at edges, above the ceiling, etc.
- » Mount any rails needed for skirting board or installing a gypsum board system (timber or plastic) prior to plastering. Plastic rail is recommended for creating neat edges and connections.

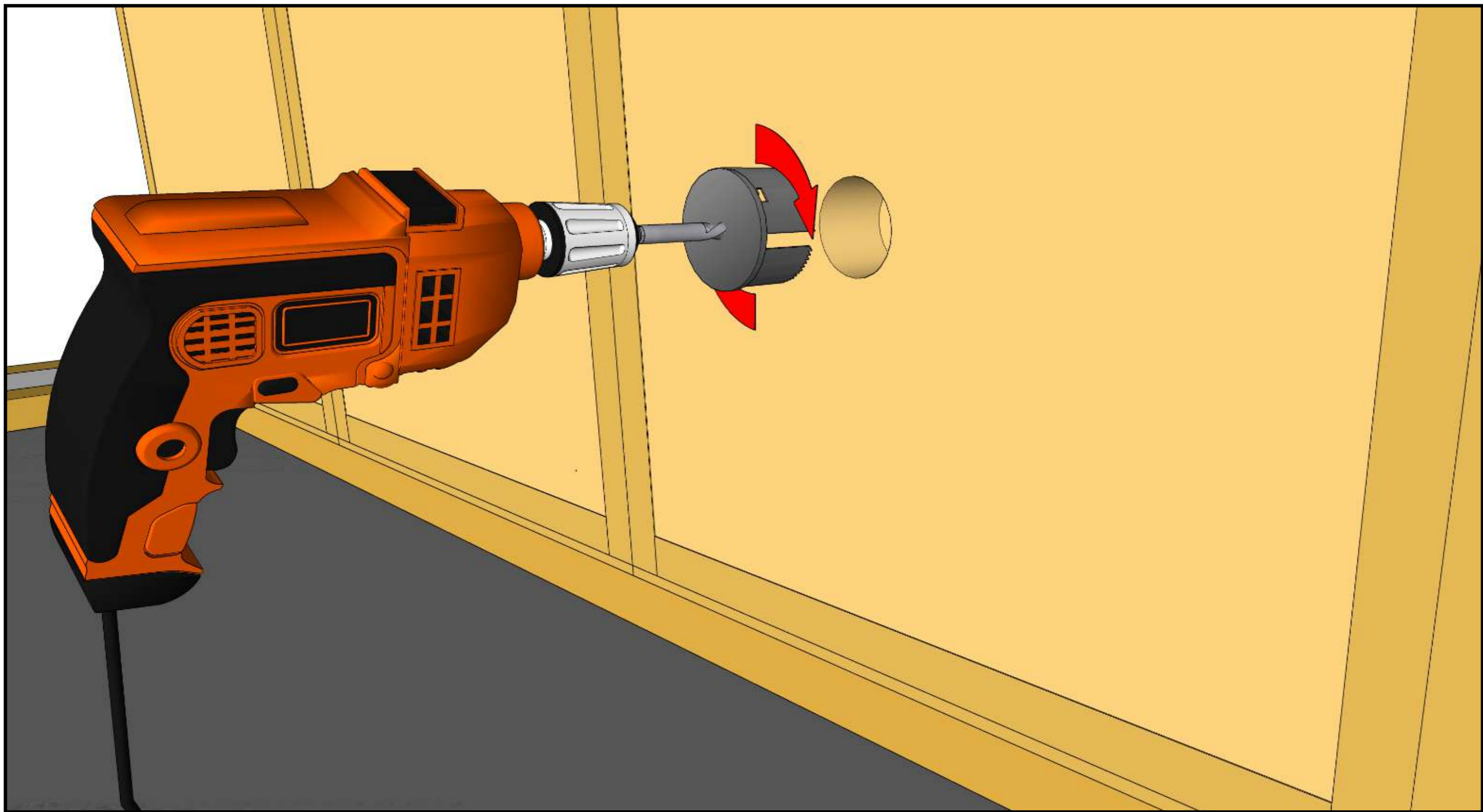
Follow the recommended order of works

- » Mount water resistant boards on the walls where services and plumbing are to be installed.
- » Install air ventilation pipes first.
- » Fix services and plumbing to the boards.
- » Carry out the electrical installation. Prepare indents in the straw, with pegs and clay plaster behind the socket.
- » Consult with EcoCocon before drilling holes in a stud or creating a recess for electrical conduit.
- » Staple 7 mm wood fibre board onto all studs and timber elements (supplied).
- » Mount the rails (timber, plastic, aluminium) as a guide for plastering at the floor, the ceiling and the openings, so that the whole straw surface will be covered and neatly finished at the connections and edges. A timber rail can be used later to fix the final skirting board.
- » Mount interior sills before applying base coat plaster or sometimes before final coat.
- » Apply base coat plaster.



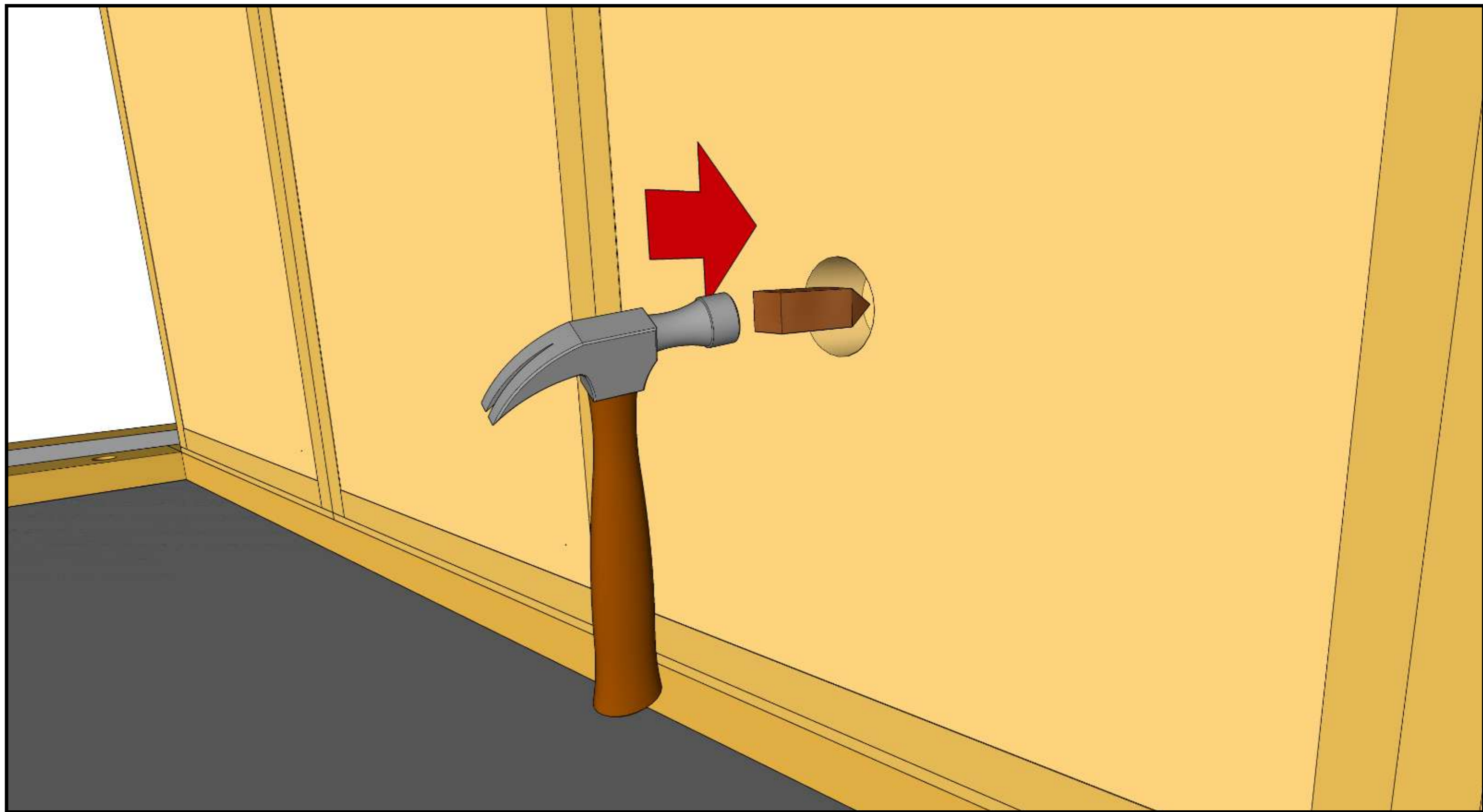
Electrical Installations

01



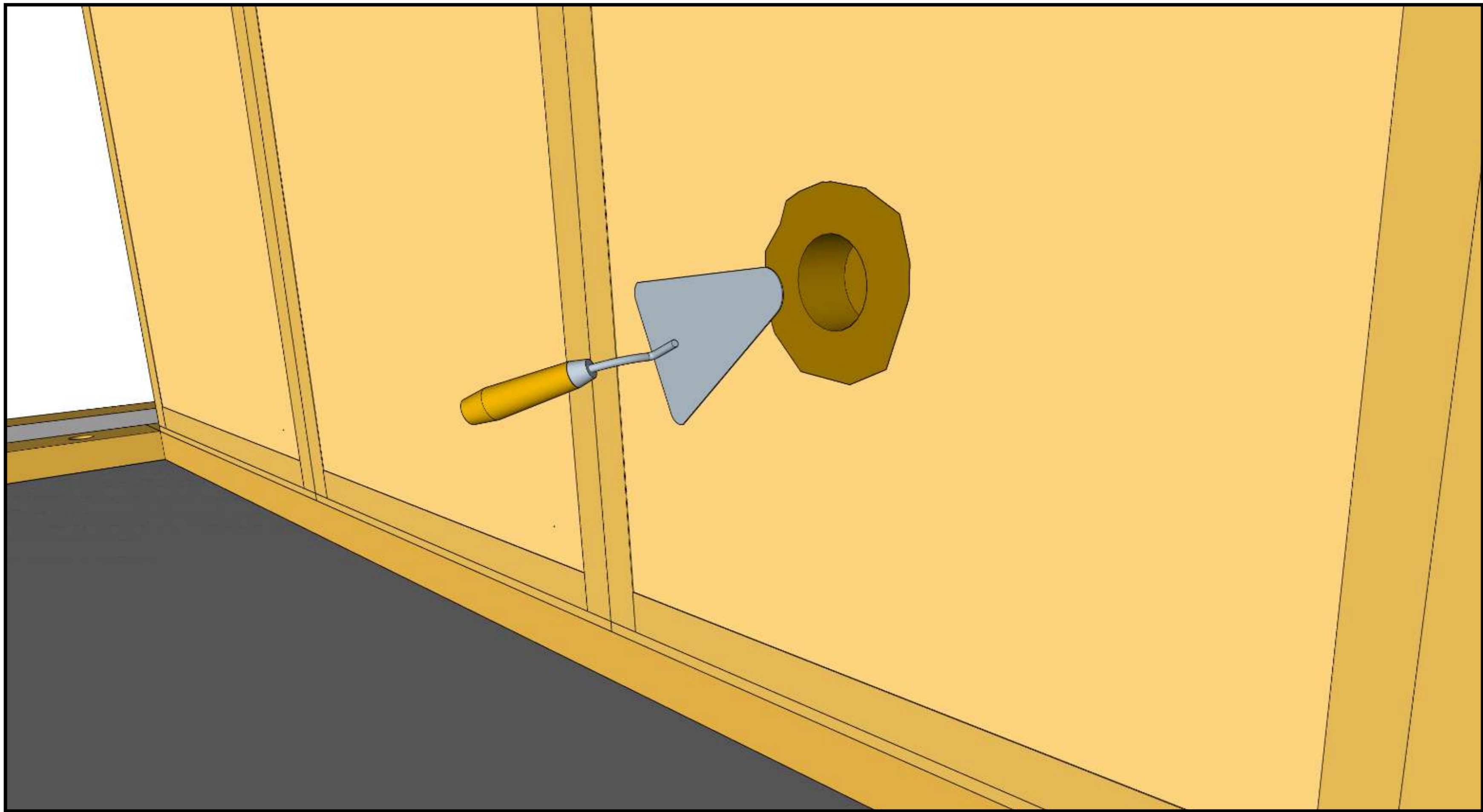
For installing a socket, route out an indent in the straw.

02



Hammer a sharpened wooden peg (approximately 45 x 45 x 200 mm) into the straw wall.

03



Add plaster (clay/gypsum) behind the socket.

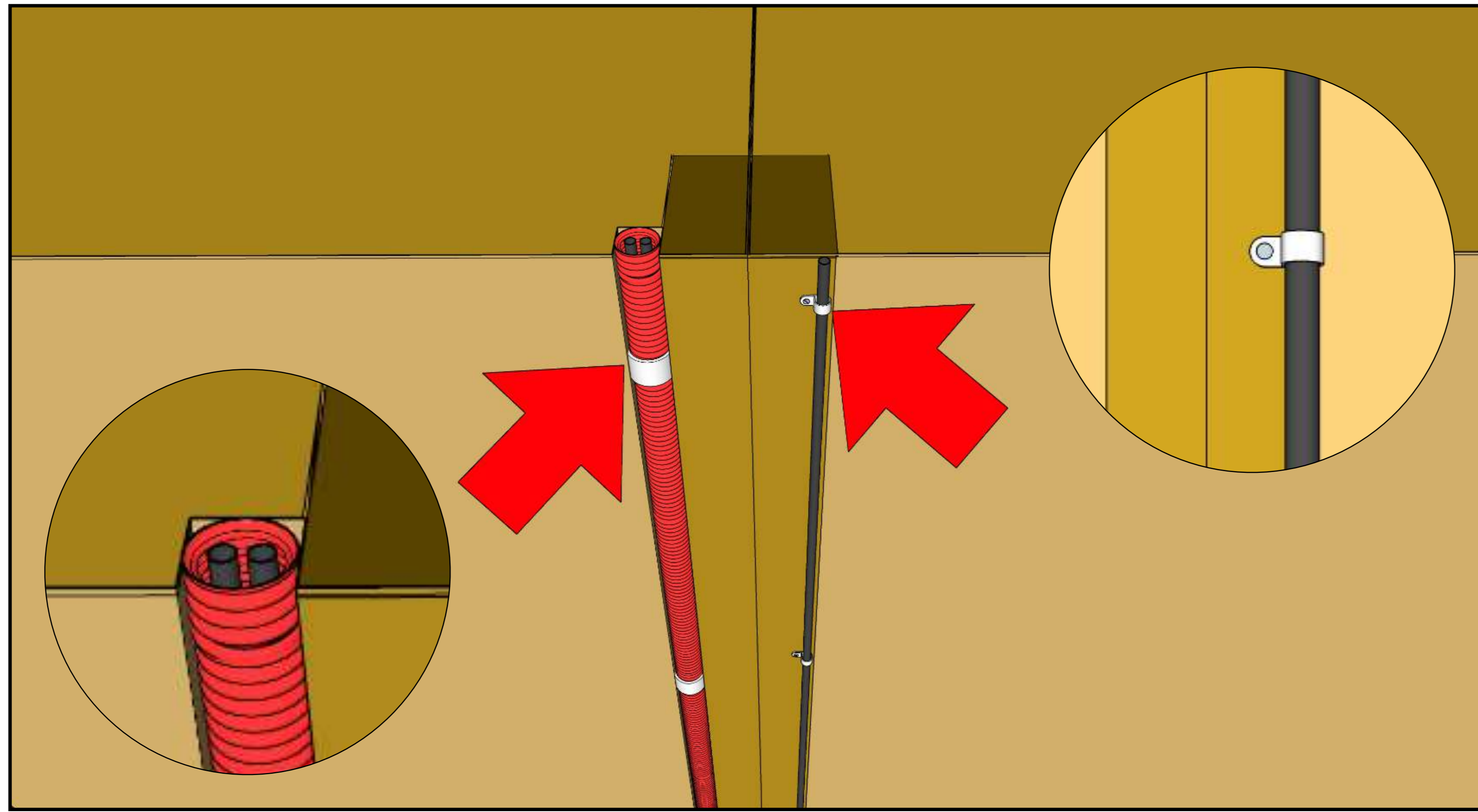
04



Fix the socket with a screw into the peg.

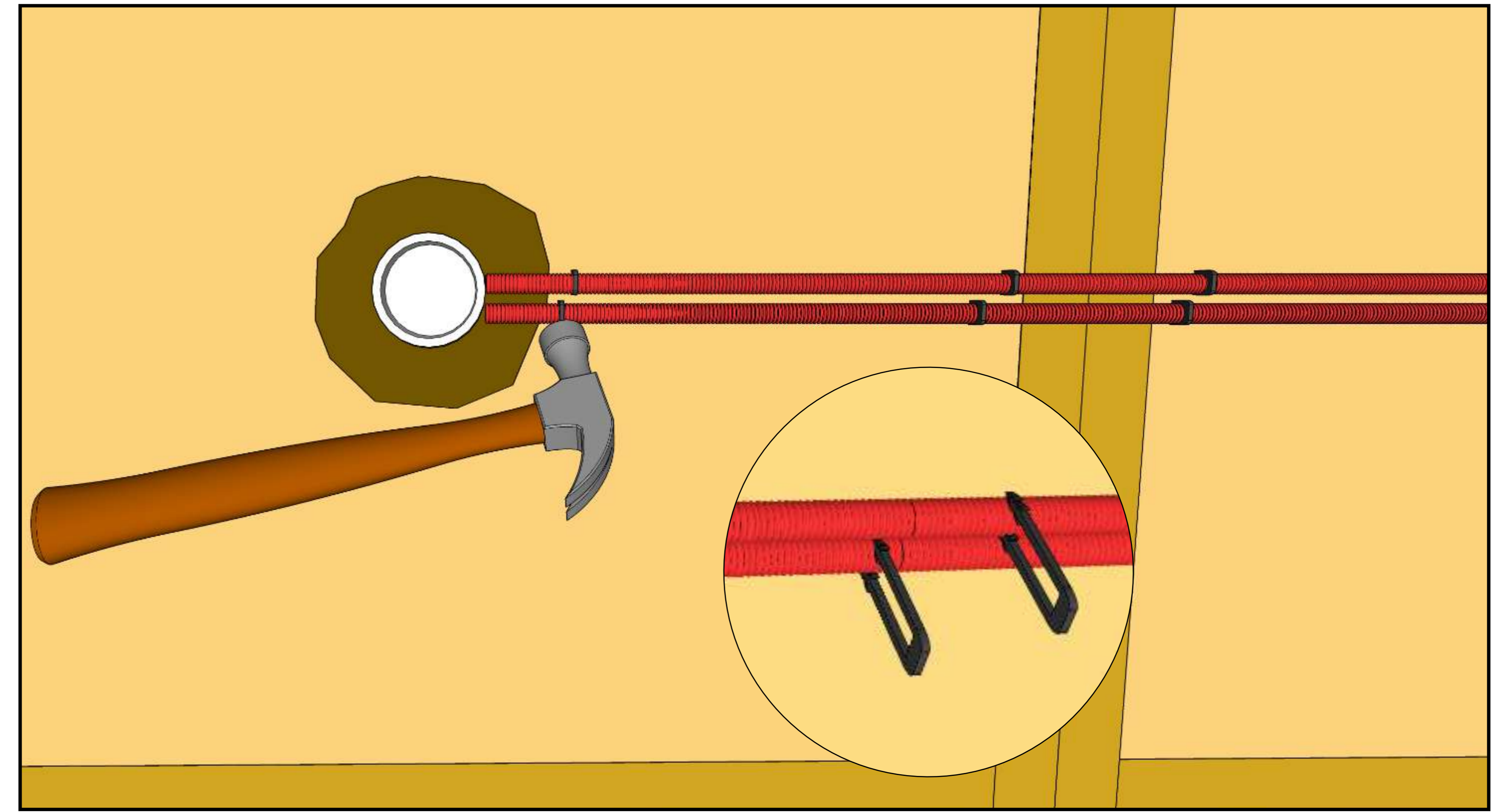


05



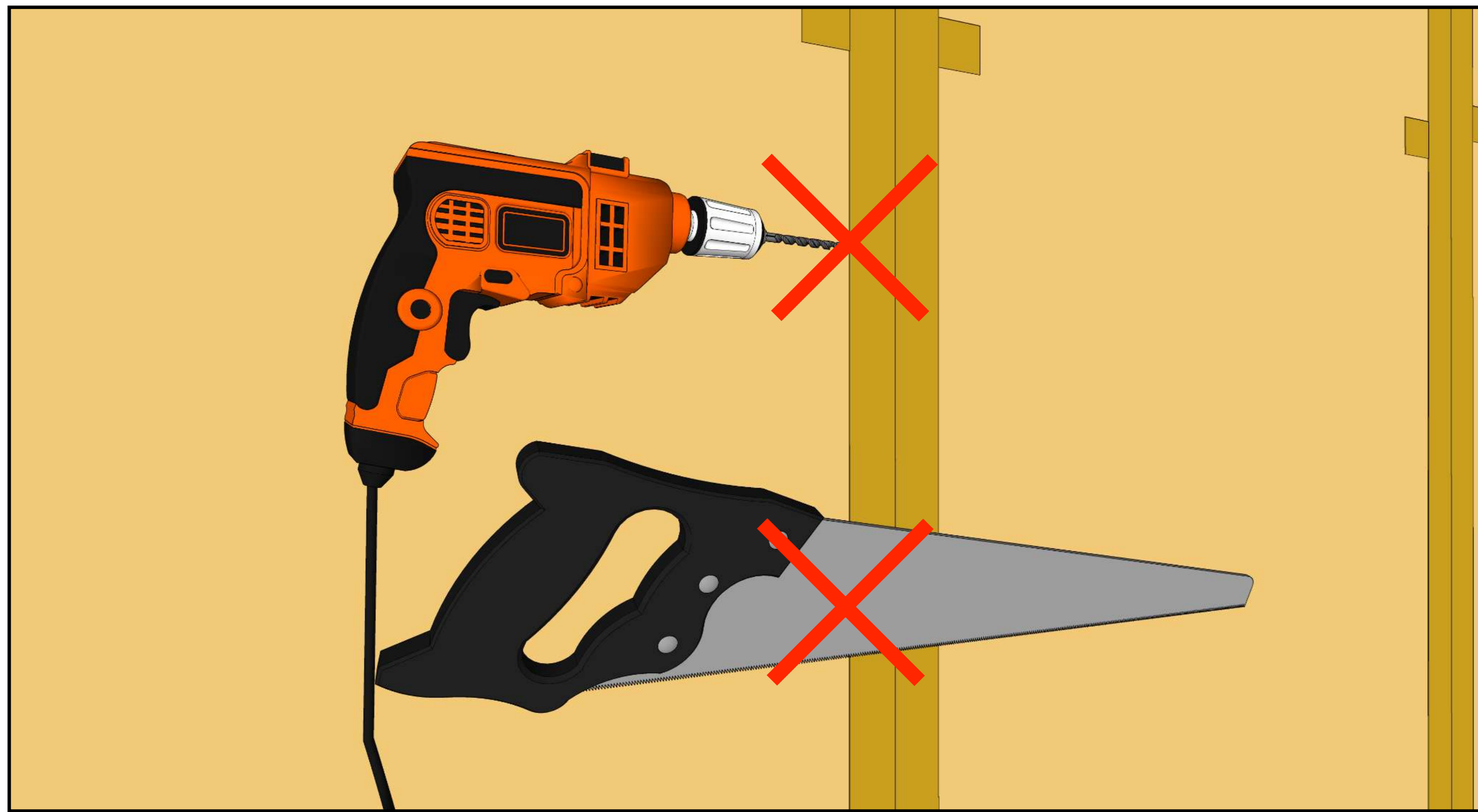
Secure wiring with nail clips on studs or use a protective conduit buried in the straw, attached from the side.

06



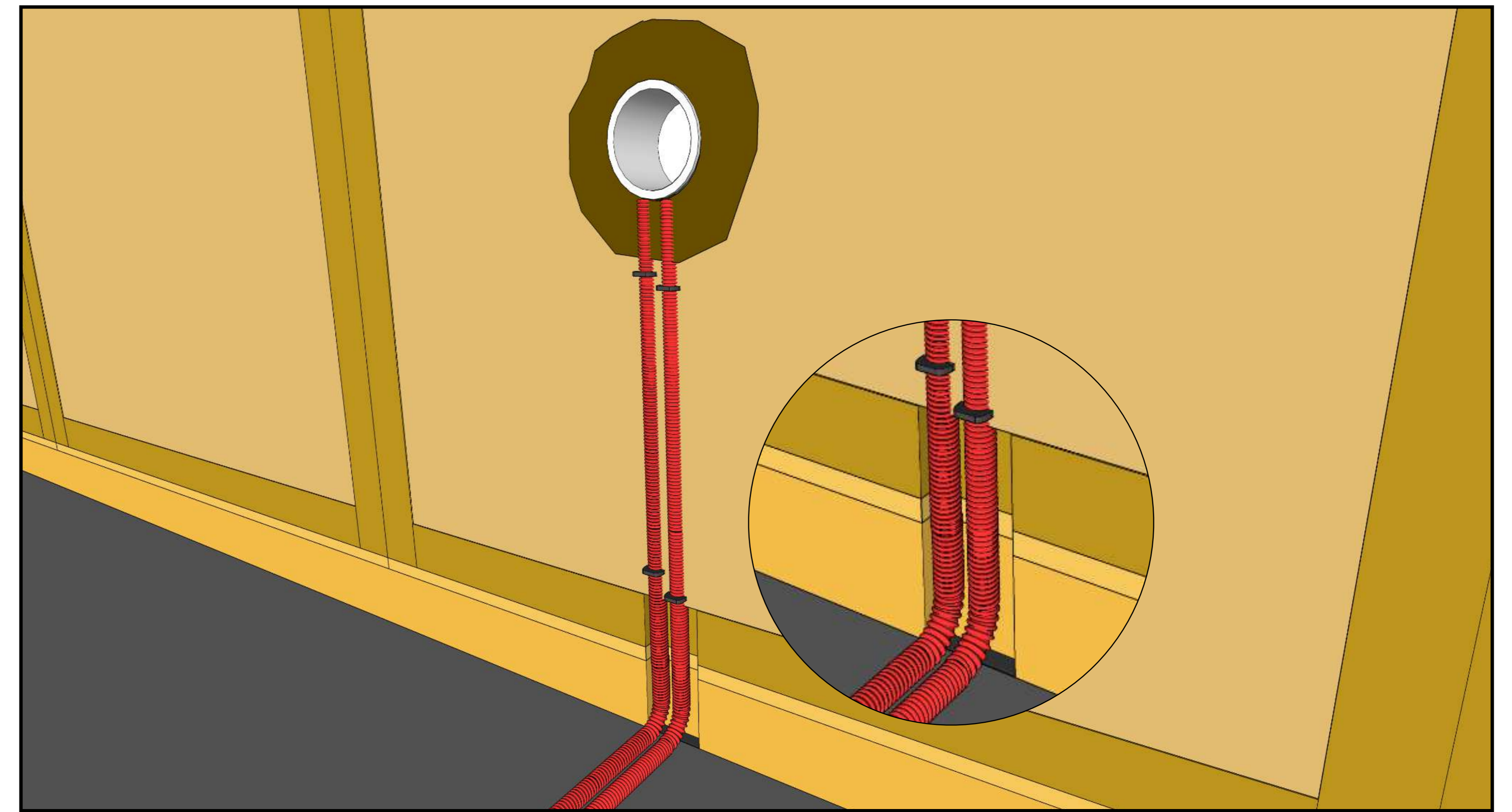
Attach electrical wiring with plastic anchor clips to the straw surface.

07



Do not drill through studs or make notches during construction; always consult with an EcoCocon structural engineer.

08

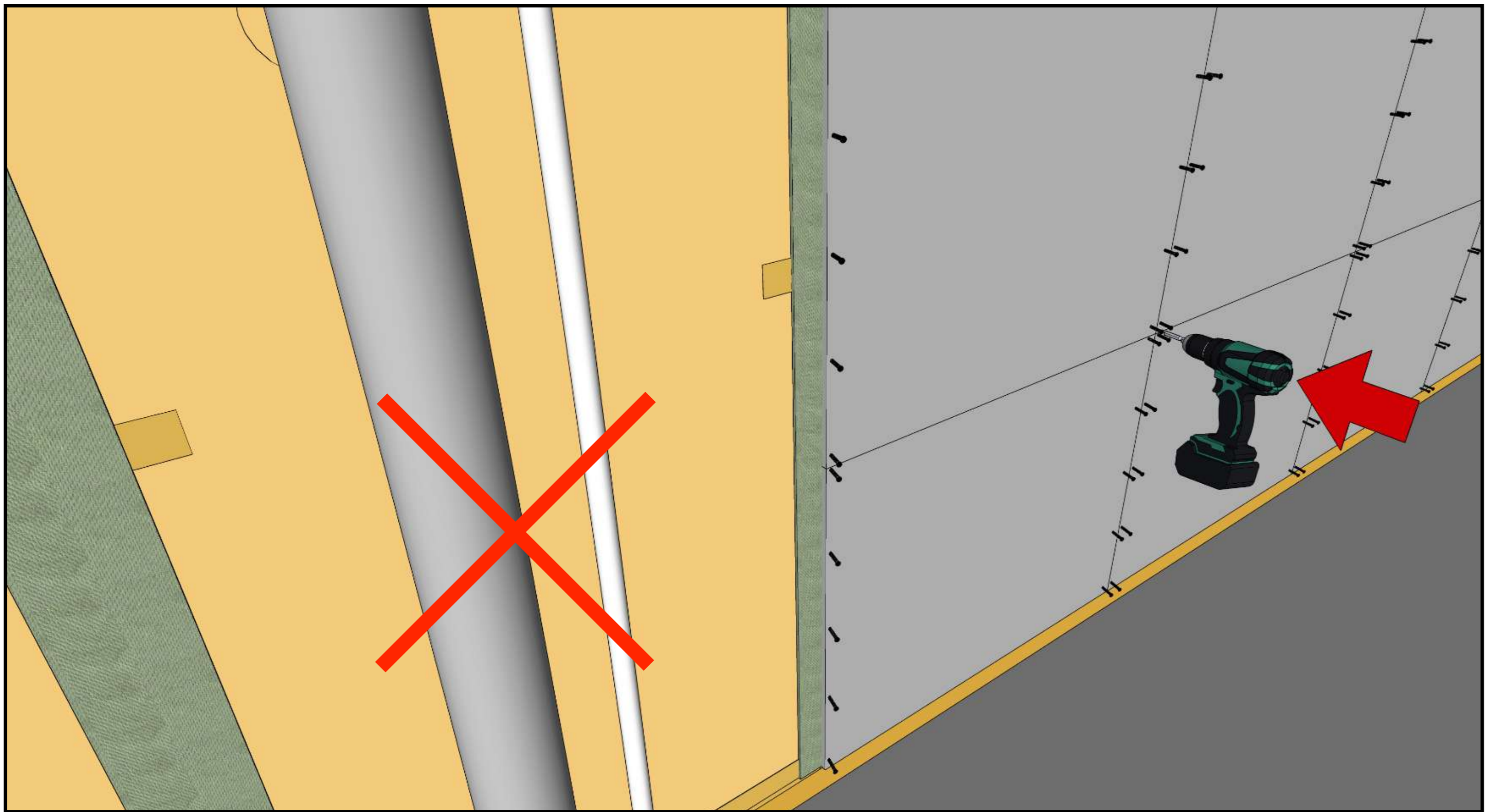


It is possible to cut a notch into the bottom of the panels and base plate.



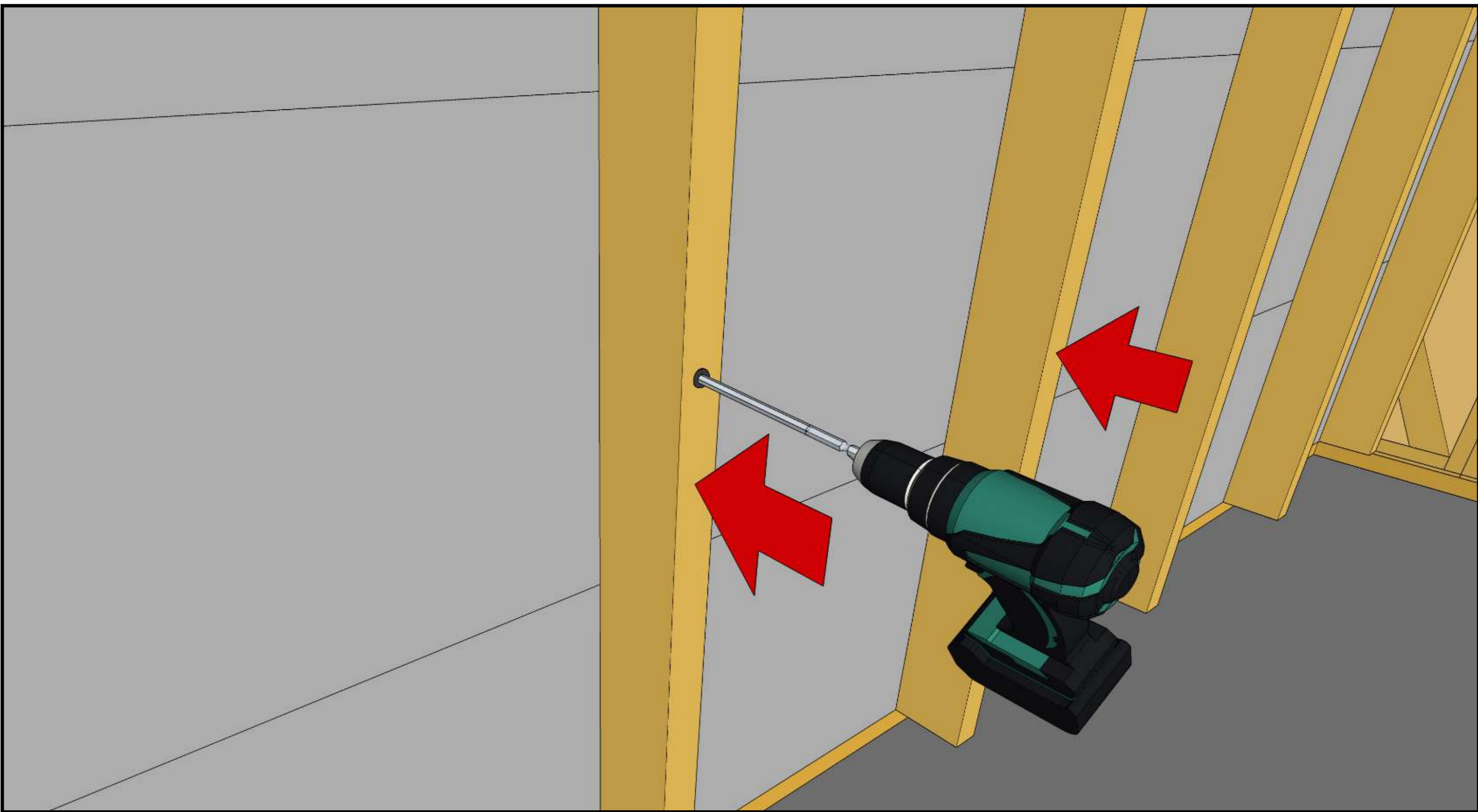
Service Void for Plumbing

01



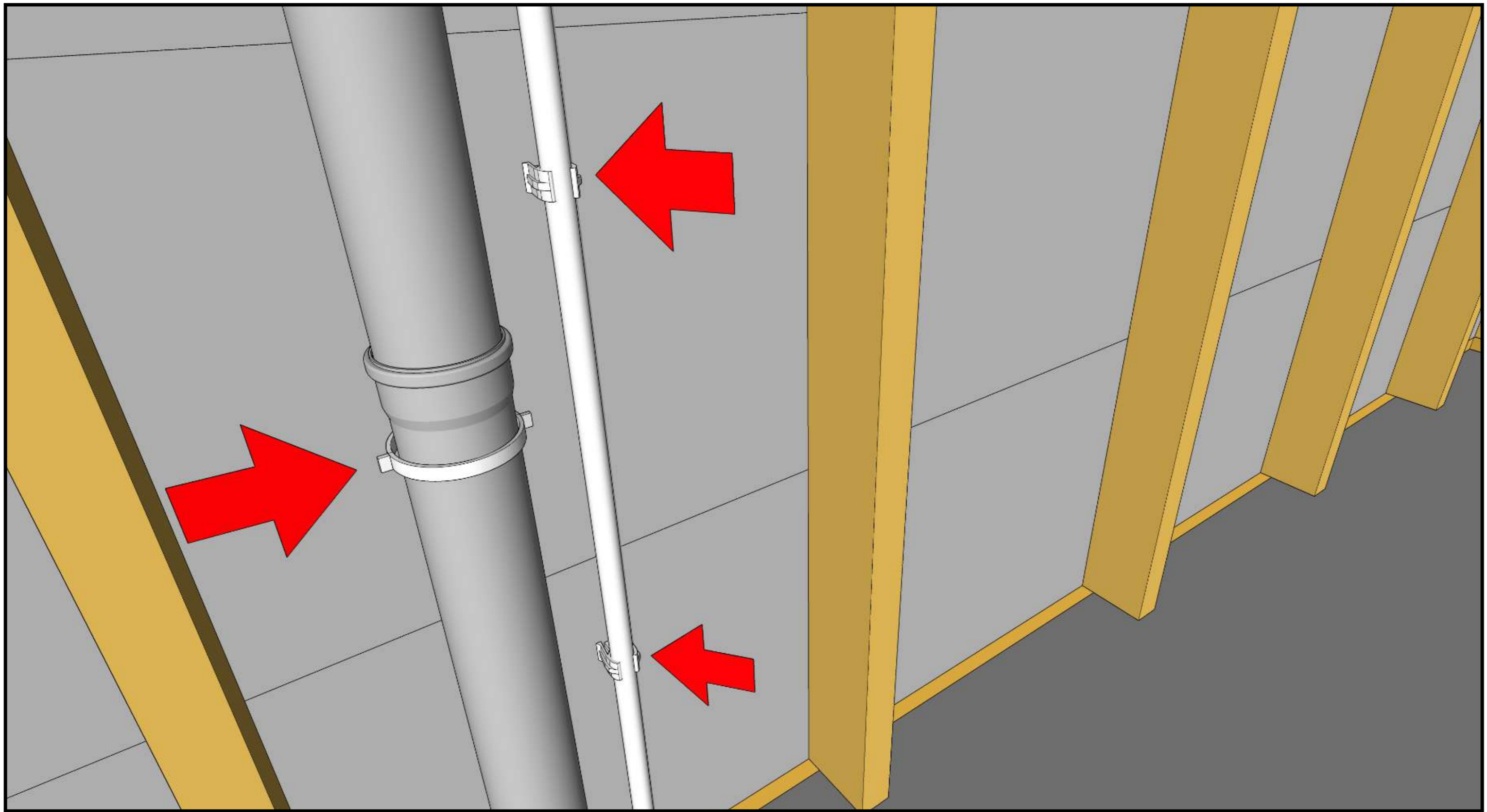
Do not place plumbing services in the straw. First staple 7 mm wood fibre board onto the timber structure then use a water-resistant board behind the plumbing.

02



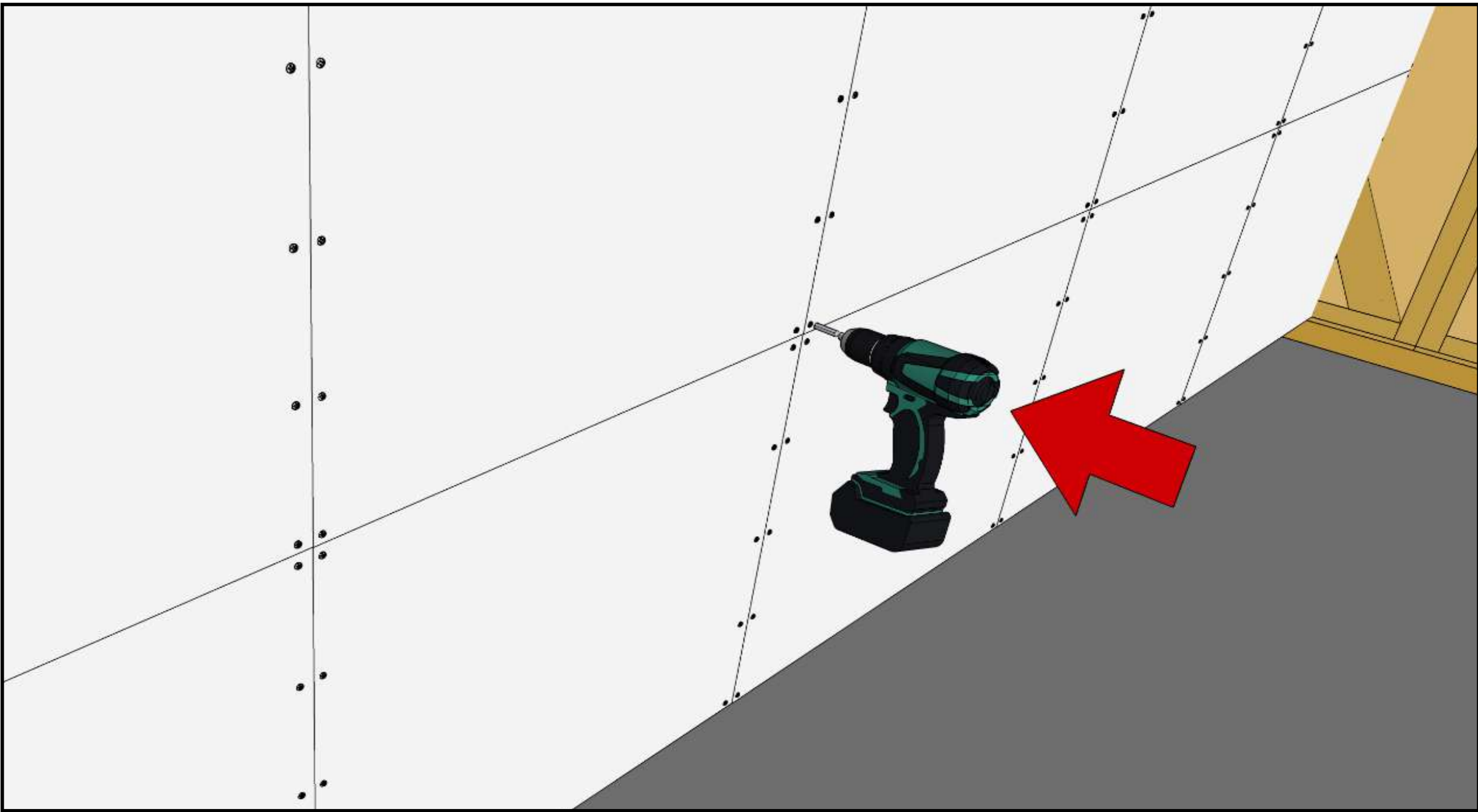
Create a service void to install services.

03



Fix services to the board.

04

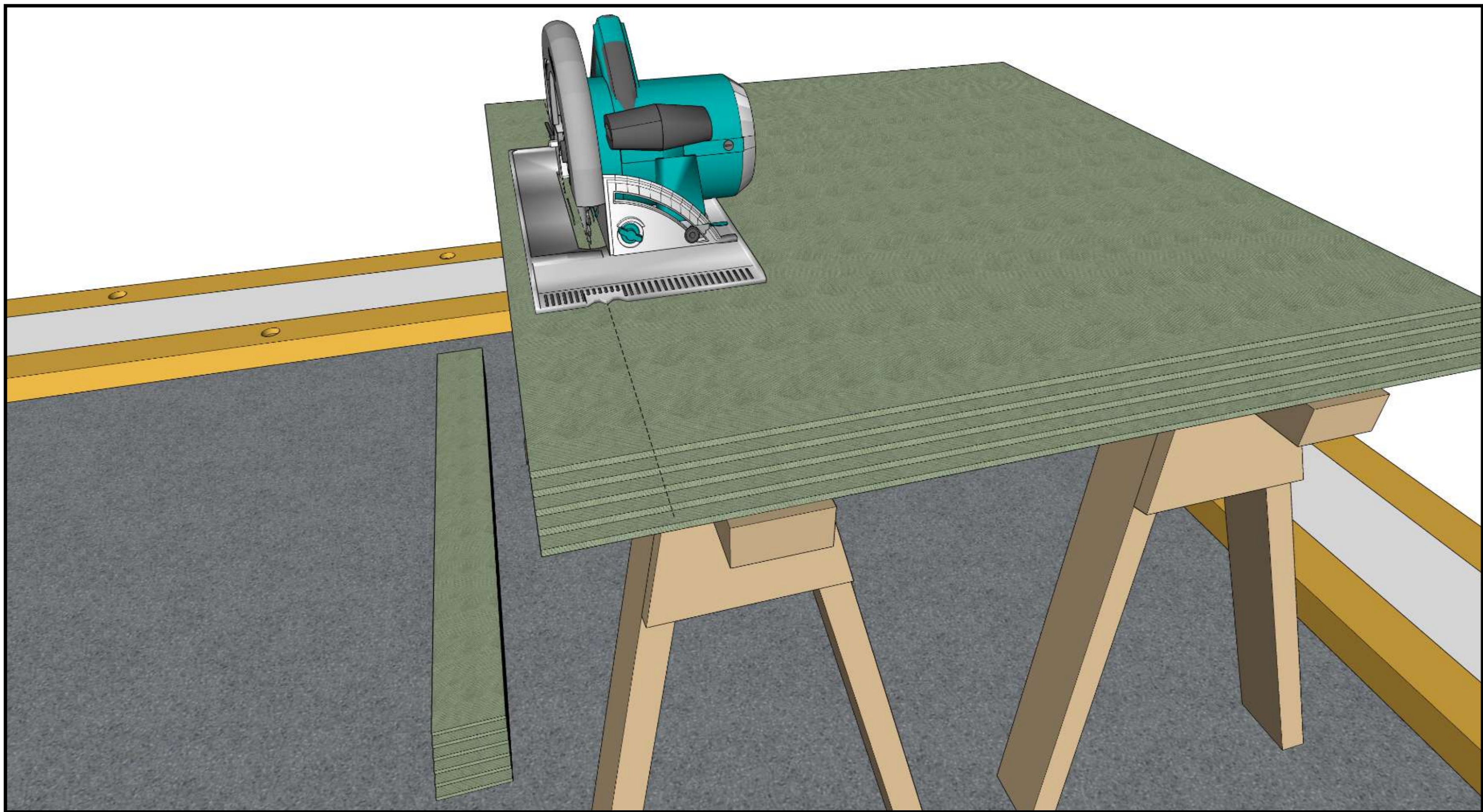


Cover the services void.



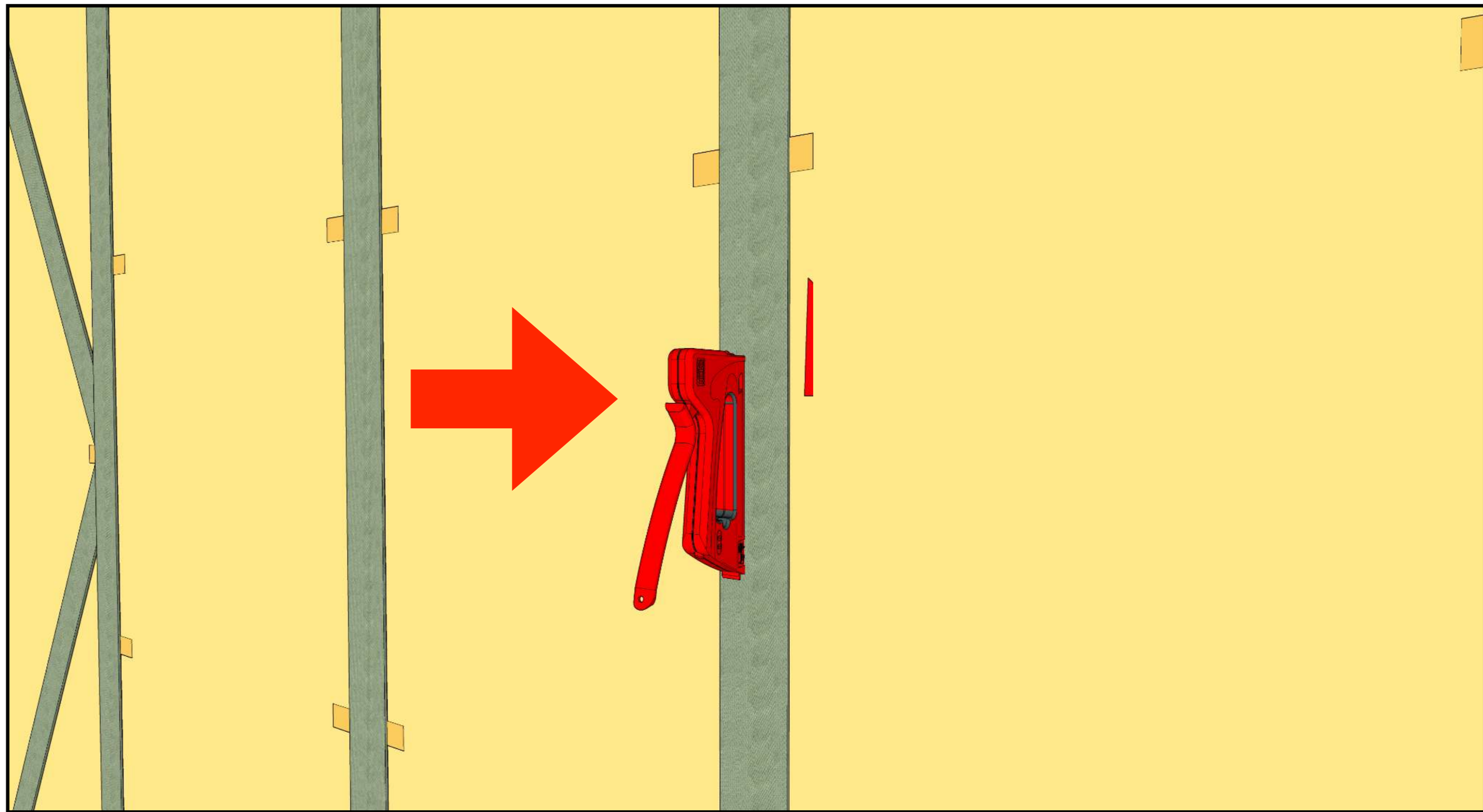
Interior Clay Plaster System

01



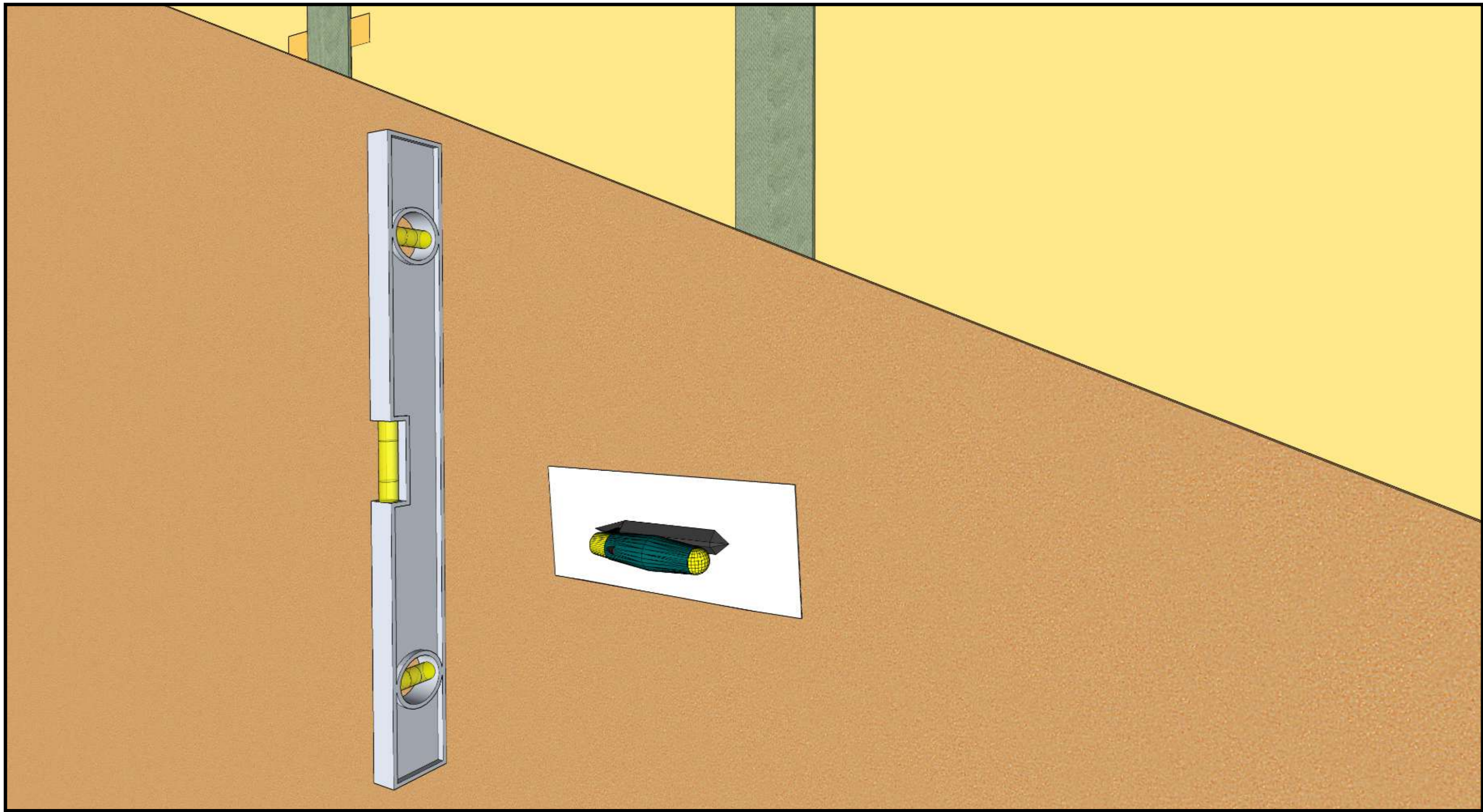
Cut 7 mm wood fibre board into strips to cover the timber structure.

02



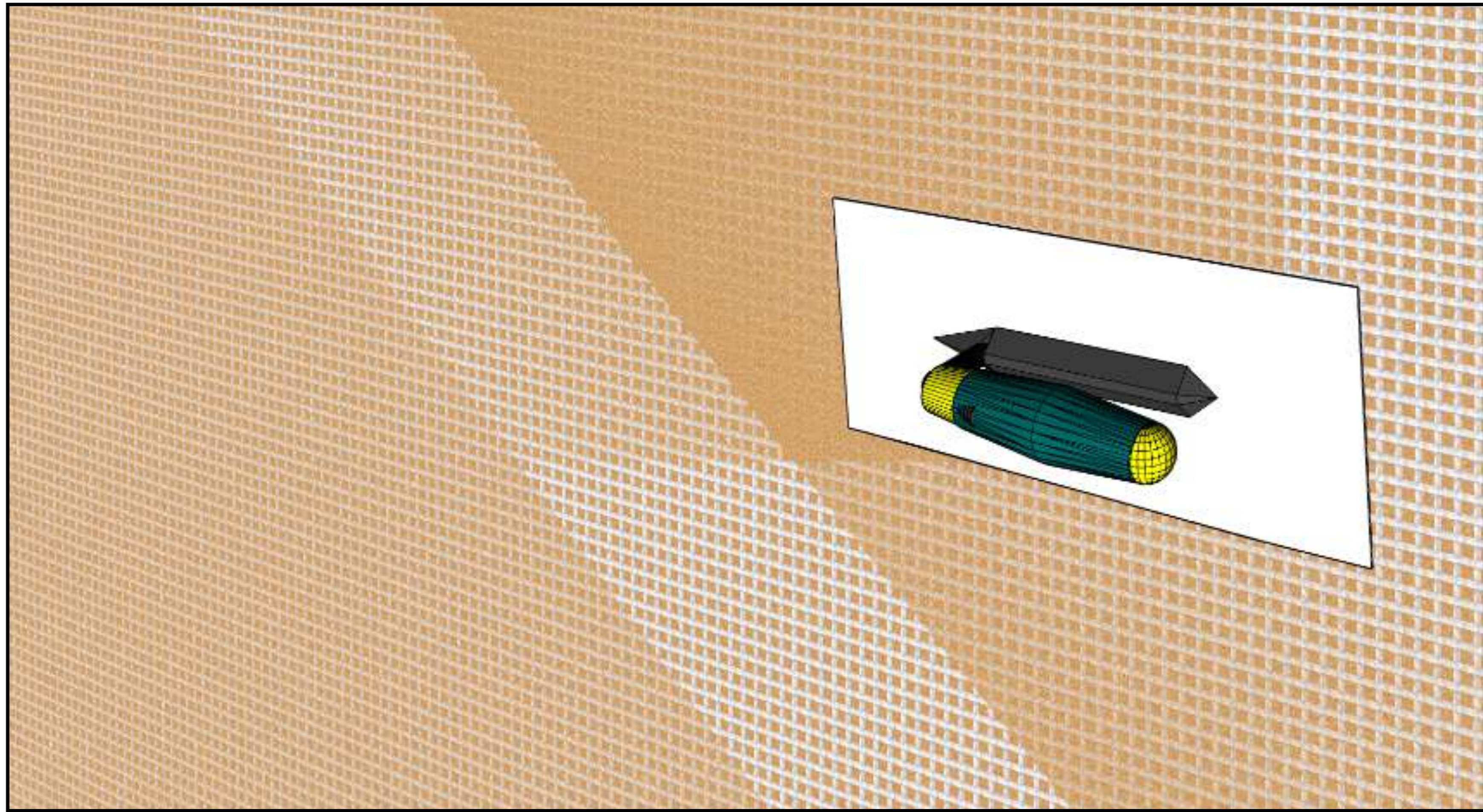
Staple 7 mm wood fibre board strips onto all studs and timber elements.

03



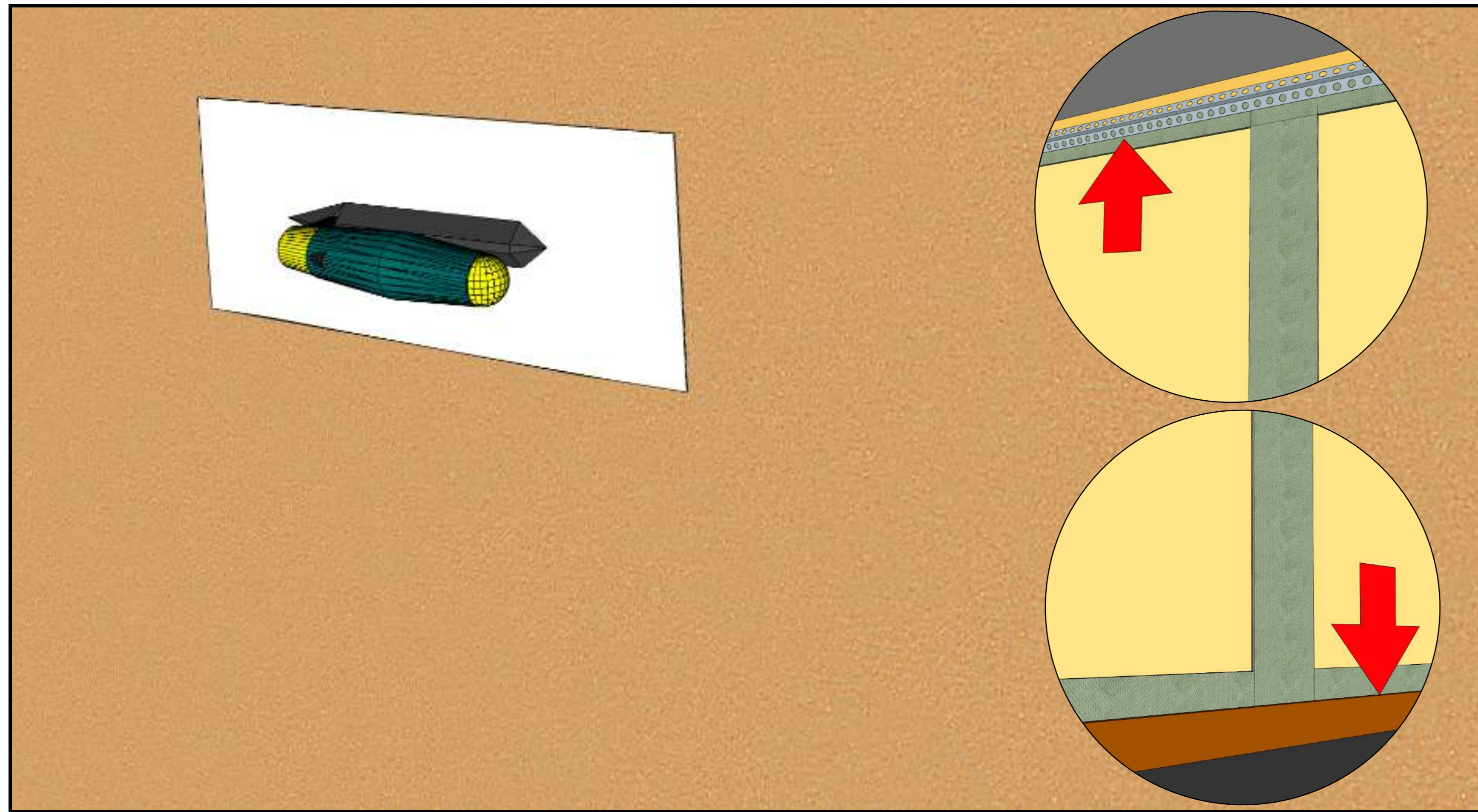
Apply the base coat plaster to a depth of 20-25 mm. This can be applied in one or two coats, with a reinforcing mesh either between 2 layers or into the top surface.

04



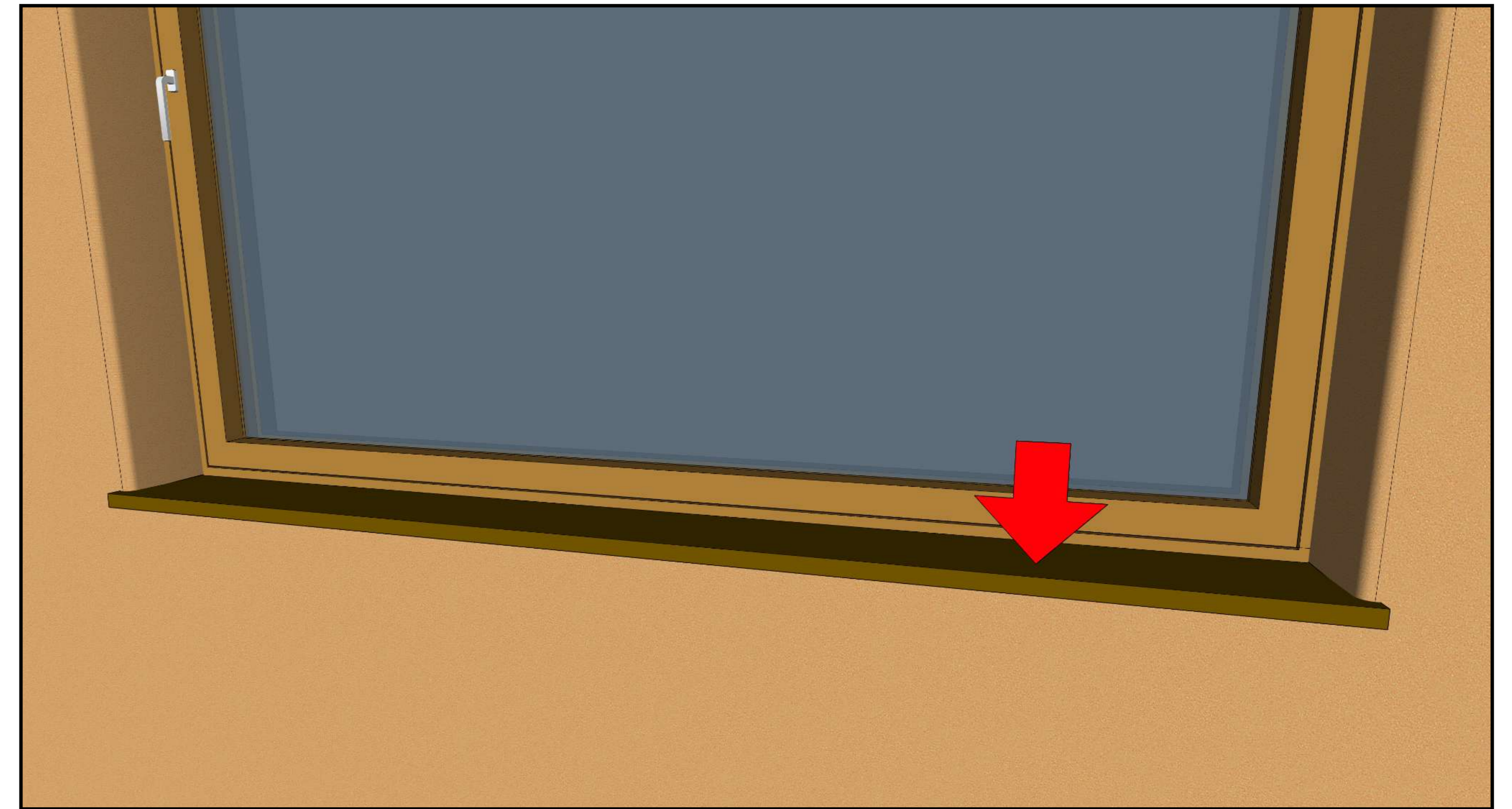
The mesh should be pressed into the wet surface and worked into the plaster with a float.

05



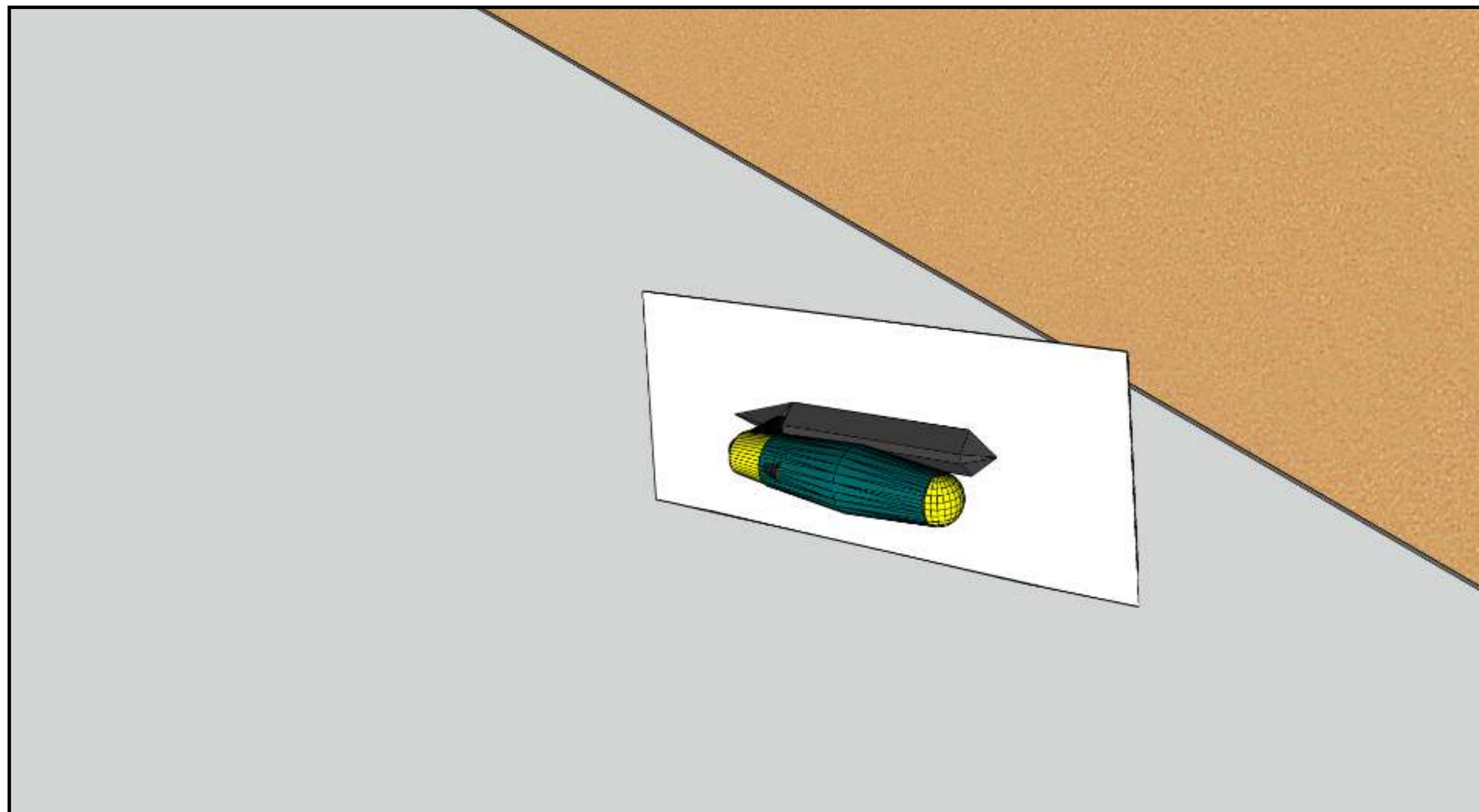
Cover all the panels with plaster from top to bottom. Use a plaster rail (aluminium, timber) as a guide at the ceiling and at the floor to ensure good detailing.

06



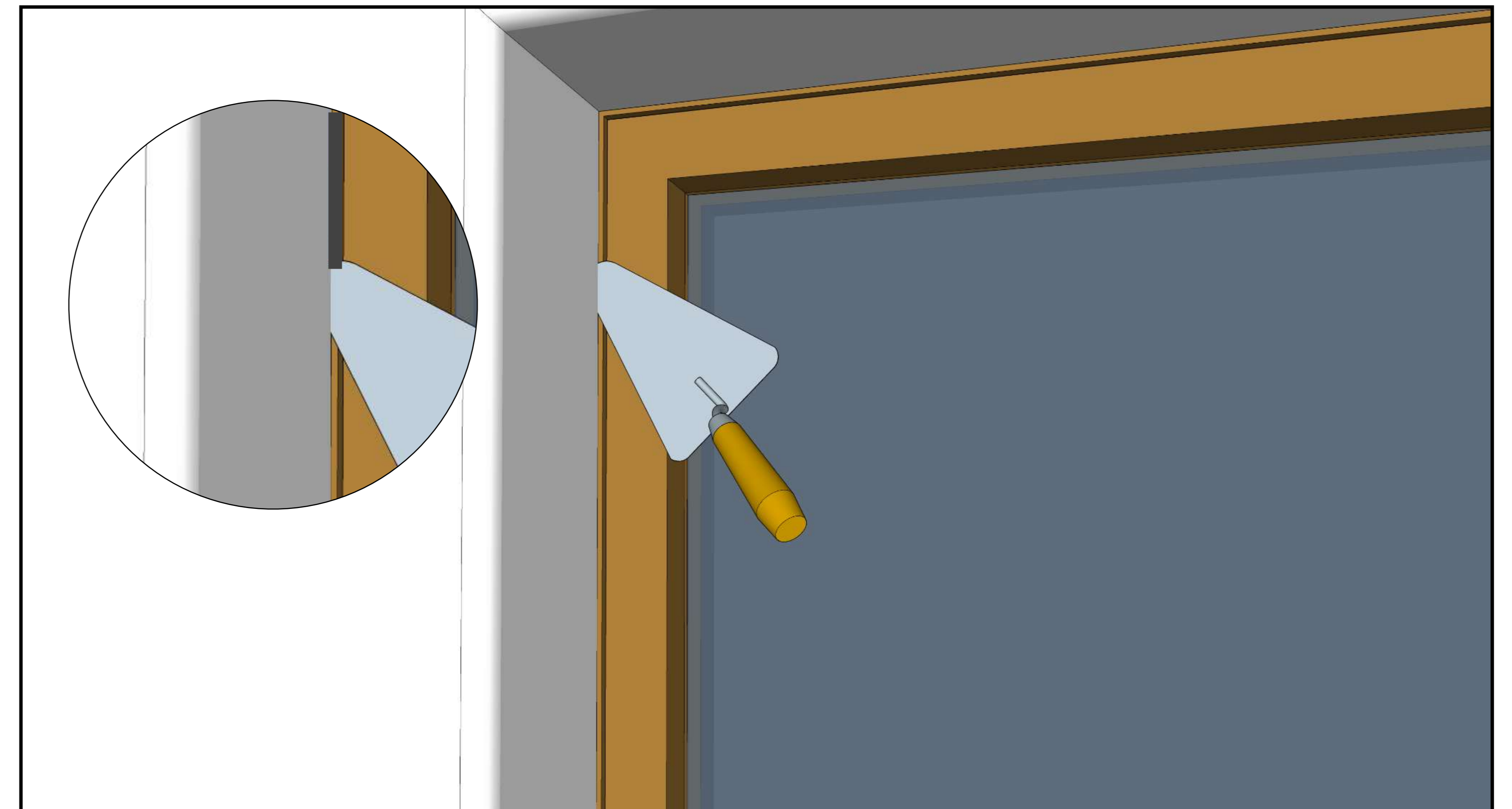
Mount interior sills before applying final coat.

07



Apply a fine clay plaster. Refer to the manufacturer's technical guide.

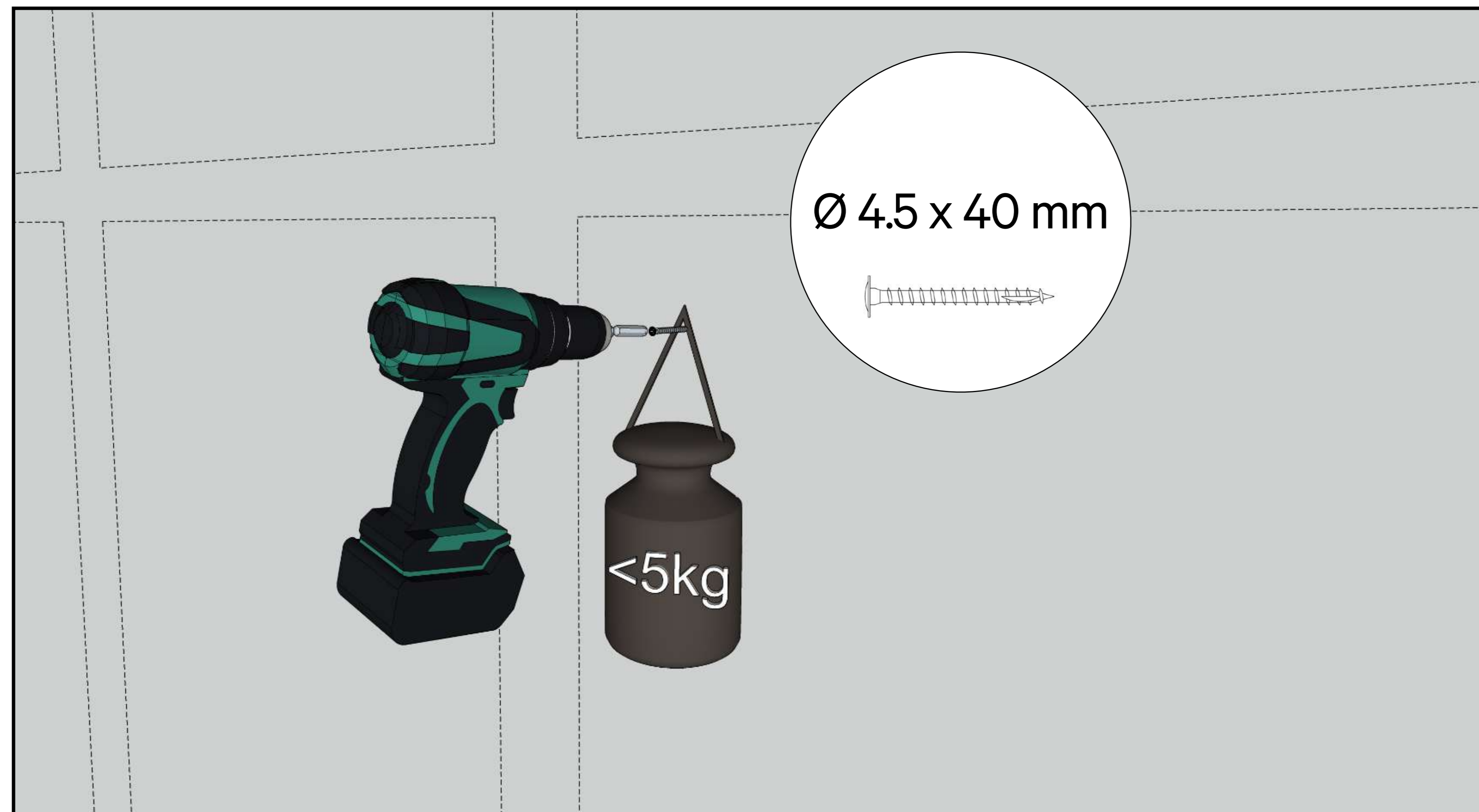
08



Good detailing: make a small notch next to connections to avoid uneven shrinkage cracking.

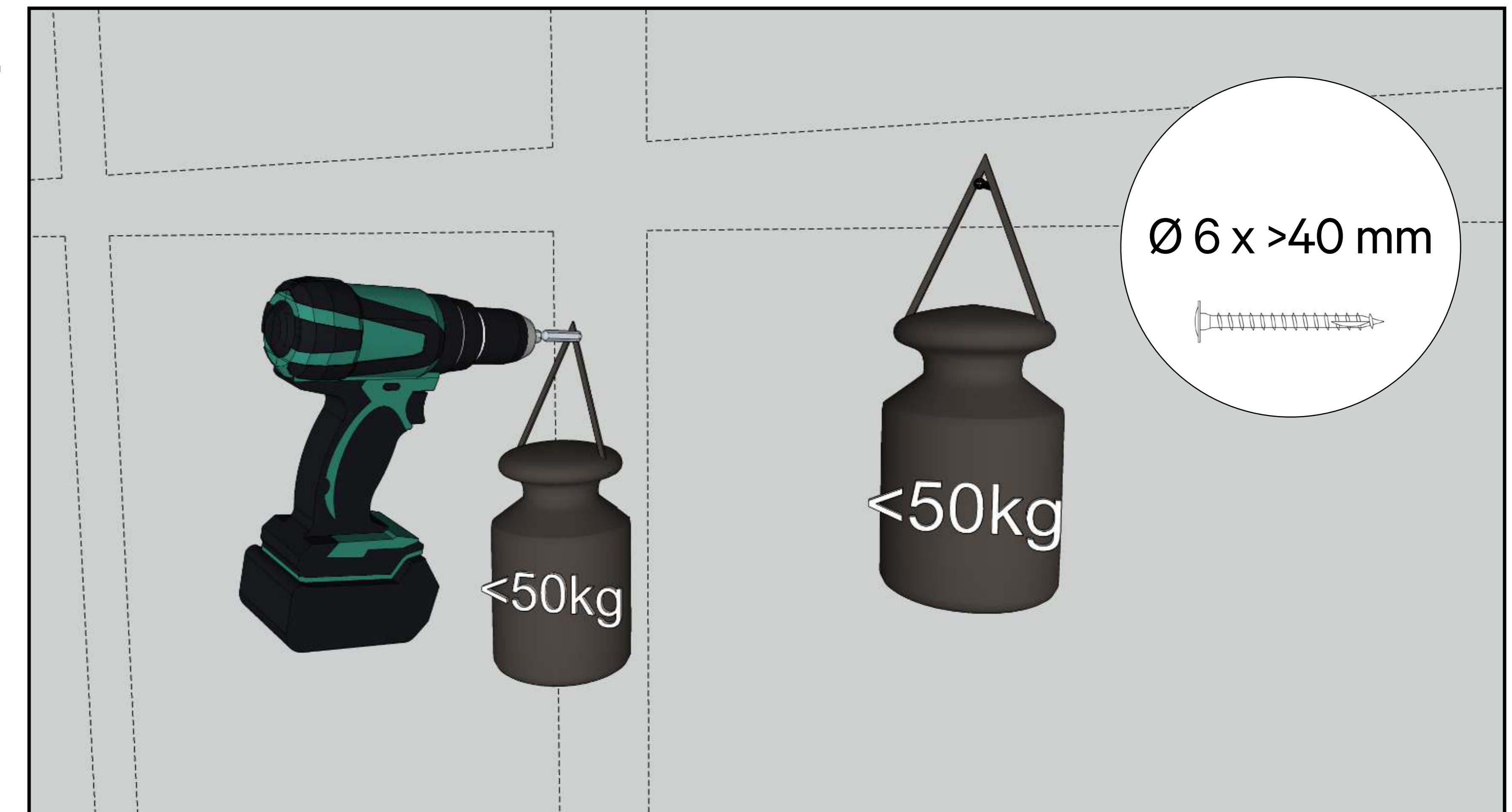
Wall Mounts

01



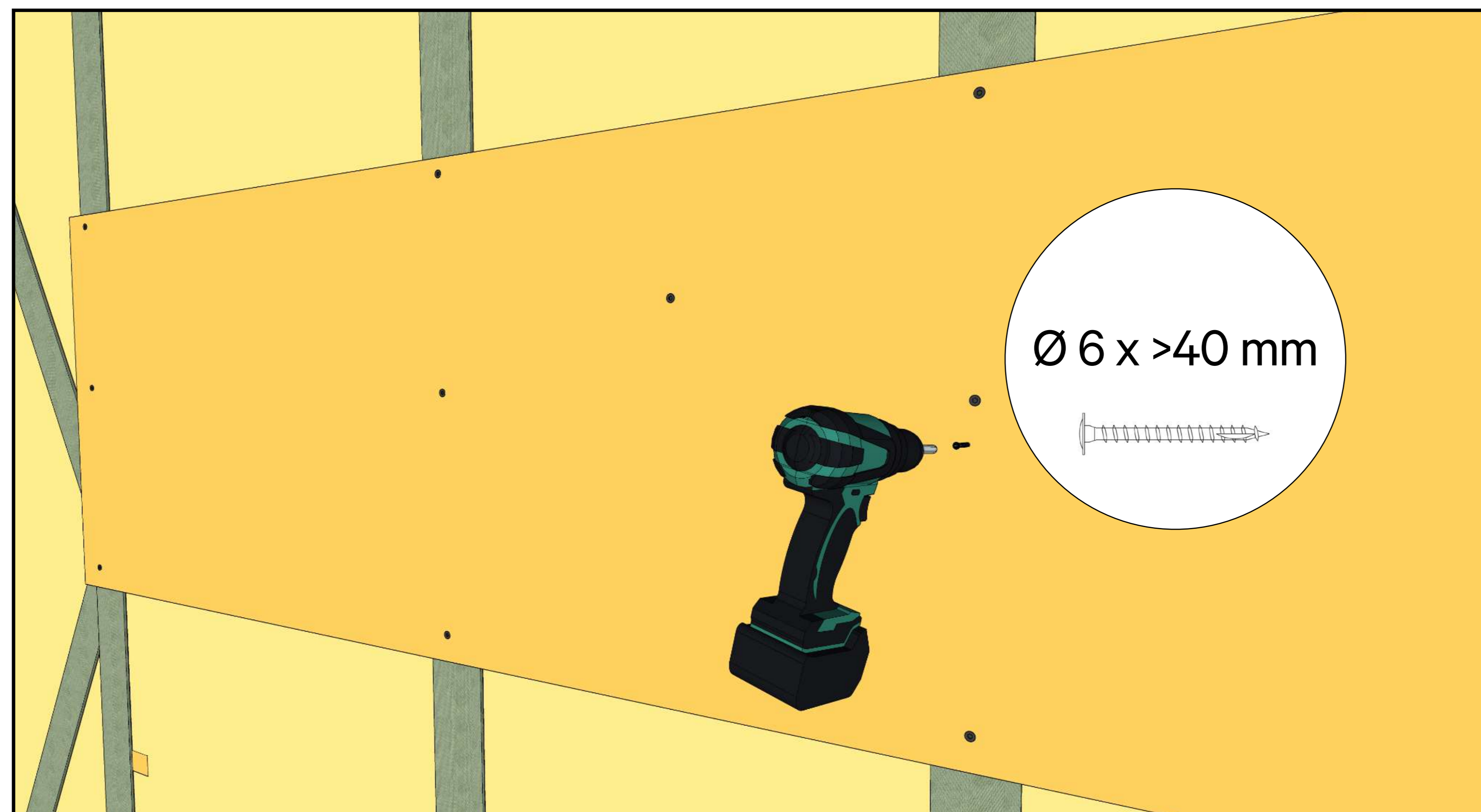
For up to 5 kg load, place a 4.5 x 40 mm full thread screw directly in the clay or gypsum plaster. The closer the load is to the wall the better.

02



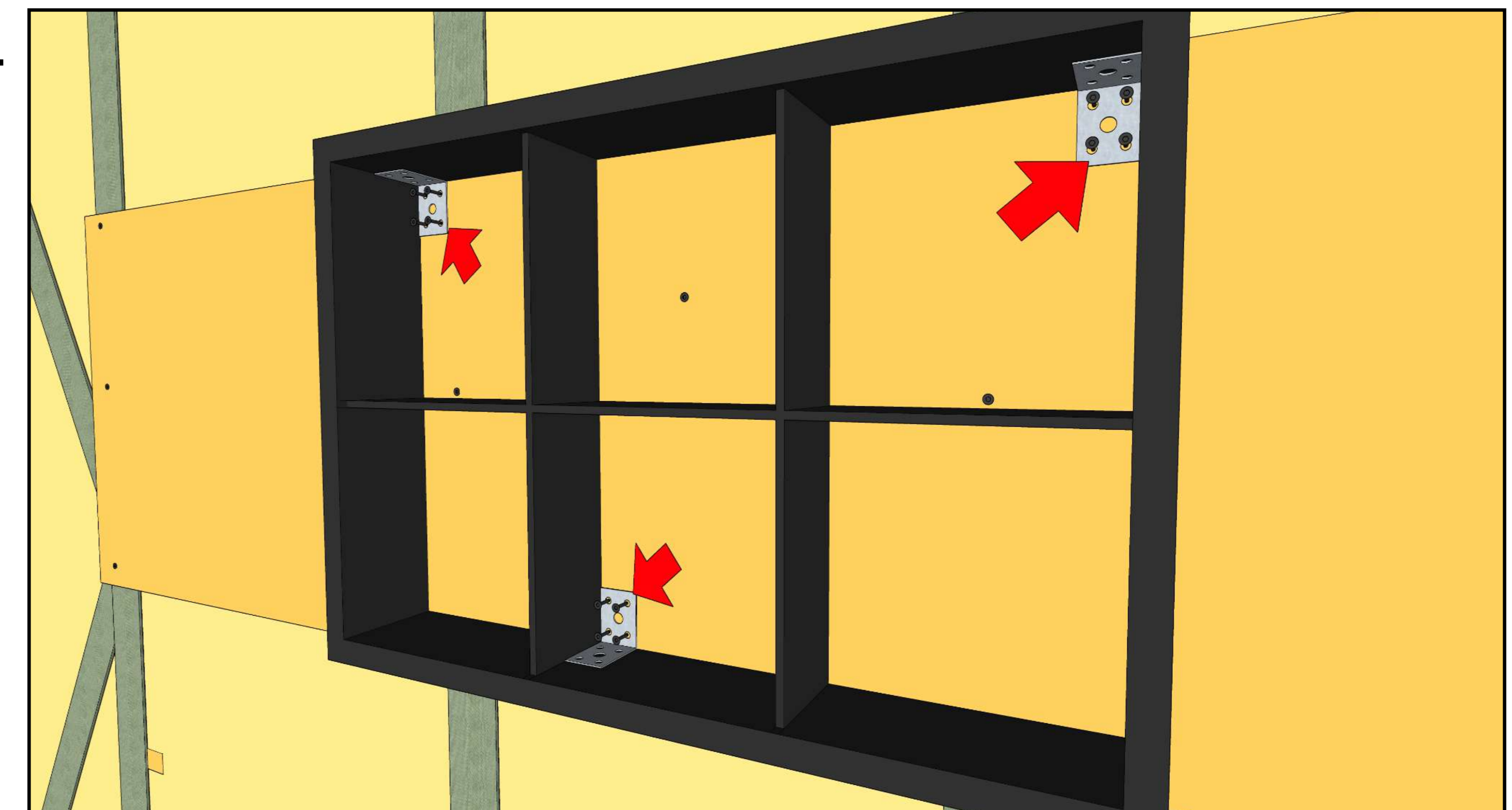
Loads heavier than 5 kg, fix directly into panel construction. A 6 mm diameter screw can hold up to 50 kg fixed in studs or horizontal elements.

03



For more mounting options, fix a board/timber to the studs using at least two 6 mm diameter screws per stud.

04



Fix shelves or cupboards to the board.

